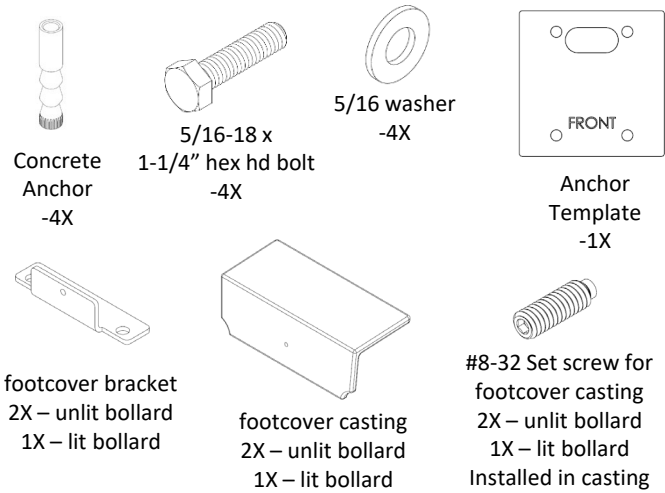


**ASSEMBLE WITH CARE!** Pangard II® Polyester Powdercoat is a strong, long-lasting finish. To protect this finish during assembly, place unwrapped powdercoated parts on packaging foam or other non-marring surface. Do not place or slide powdercoated parts on concrete or other hard or textured surface – this will damage the finish causing rust to occur. Use touch-up paint on any gouges in the finish caused by assembly tools.

**LIGHTING LAYOUT RECOMMENDATIONS:**

Profile bollard spacing is the responsibility of others. Refer to the Product Data Sheet, available on [www.landscapeforms.com](http://www.landscapeforms.com), for light distribution options.

**Included hardware**



**Tools Required**

- Safety glasses
- Screwdrivers
- Wiring tools and connectors, for performance or wayfinding bollard
- 1/2" wrench or socket
- Hammer drill, with 1/2" dia bit
- 5/64 hex key, 5mm hex key
- Epoxy anchoring system for concrete

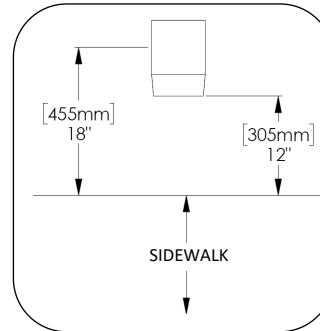


Fig. 1 – Recommended setback from sidewalk

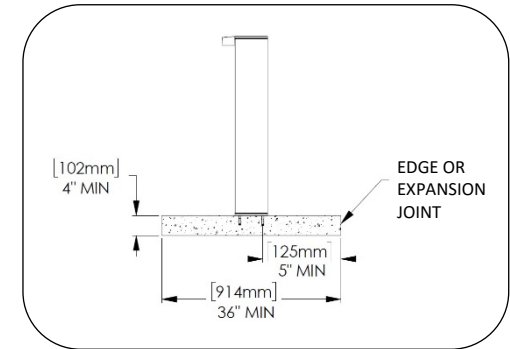


Fig. 2 – Minimum concrete slab size

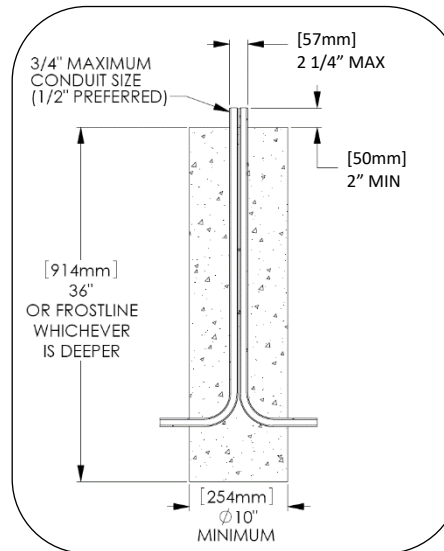


Fig. 3 – Minimum footing recommendation

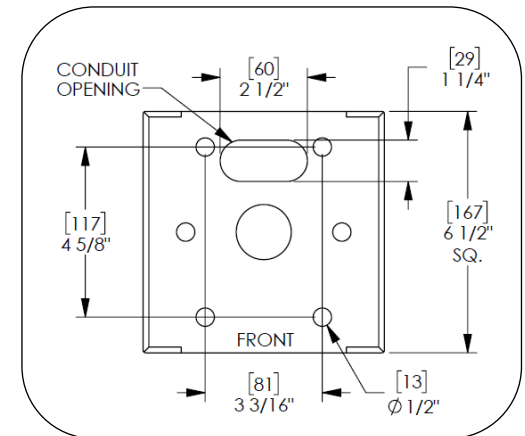


Fig. 4 – Base plate detail

Landscape Forms is not responsible for site preparation and footings. Footing recommendations are included in these instructions.

### INSTALLATION PROCEDURE FOR PATH LIGHT:

1. Prepare footing as required by local codes, see Fig. 1, Fig. 2 and Fig. 3 for recommendations.
2. Set wooden anchor template in position over conduit. "FRONT" on the template indicates the front of the unit, locating the luminaire side of the single performance bollard and the wayfinding bollards. "FRONT" locates the small footcover side of the double performance bollard.
3. Mark anchor hole locations and remove the template.
4. Drill holes according to anchor size and depth, see Fig. 6. Clear holes of debris.
5. Attach anchors to base plate template as shown in Fig. 5.
6. Test fit template assembly with anchors into position before installing epoxy. Make any adjustments as necessary to allow concrete anchors to freely install. Concrete anchor should sit centered in hole and not rest against the side of the drilled hole.
7. Add epoxy to anchor holes per epoxy manufacturer's recommendations.
8. Slowly set template assembly with anchors into position. Wipe away any excess epoxy before it cures.
9. Allow epoxy to fully cure. Remove hex bolts and washers. Remove wooden template.
10. For lighted bollards, remove driver housing cover. Remove bottom two bolts, then lift straight up to disengage interior bolts. See Fig. 7.
11. Set bollard in position. Place footcover bracket in position, see Fig. 6 and Fig. 8. Install washers and hex bolts. Tighten securely.
12. Install footcover castings, see Fig. 8. Use 5/64 hex key to back out set screw that is preinstalled in footcover casting until end of set screw is flush with casting. Align casting with hole in footcover bracket and thread set screw in to engage.
13. For lighted bollards, run line-in voltage up through empty zip tie on driver plate before making wiring connections to terminal block, see Fig. 9. Tighten zip tie.
14. Reinstall driver housing cover.

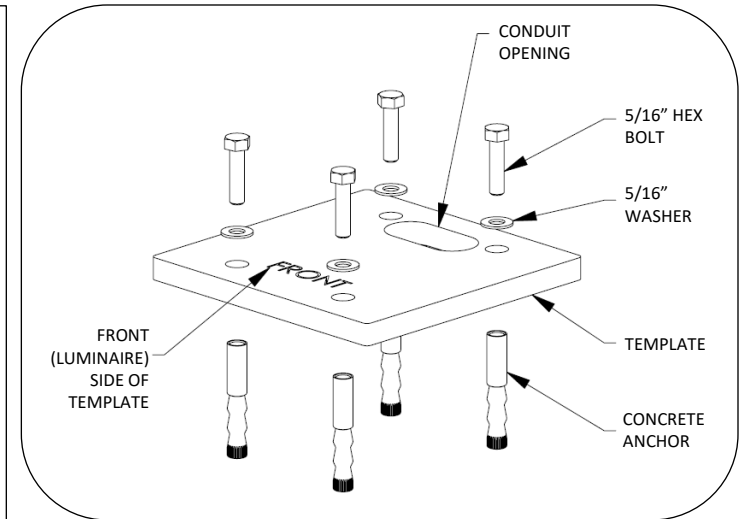


Fig. 5 – Assembly template and anchors

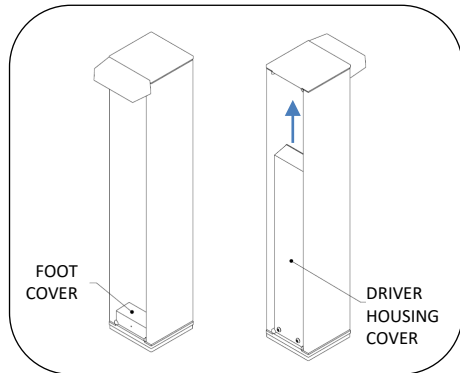


Fig. 7 – covers

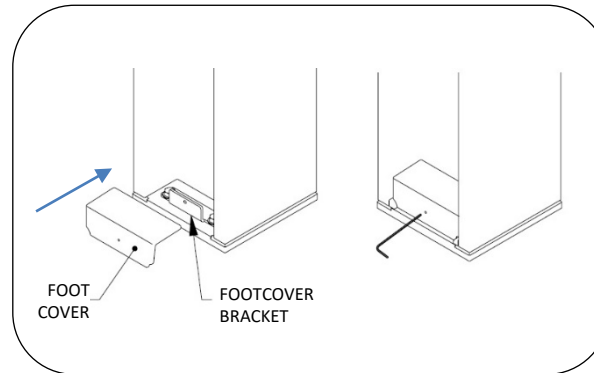


Fig. 8 – install footcover

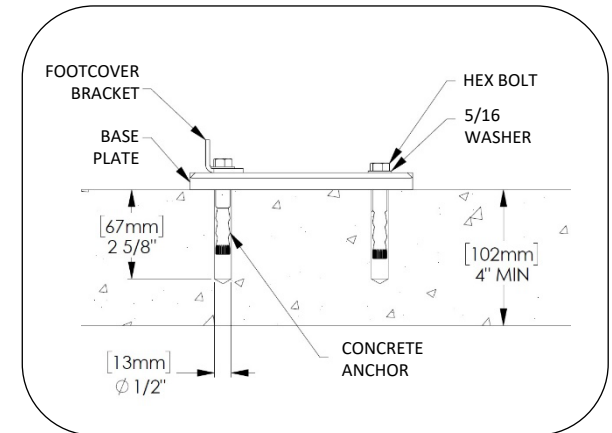


Fig. 6 – Anchor detail

Landscape Forms is not responsible for site preparation and footings. Footing recommendations are included in these instructions.

**PROCEDURE FOR WIRING PERFORMANCE AND WAYFINDING BOLLARDS:**

The Profile bollard is assembled at the factory. The light cartridge is mounted into the head of the pole and will not need to be removed during installation. Do not remove light cartridge during installation.

The following schematic is to be used to connect the unit to line voltage. It is the responsibility of the installer to make sure that all connections are made in accordance with the NEC and local building codes.

**WARNING!** LED cartridge and driver are not rated for connection or disconnection while energized. Doing so may damage LEDs and will void the warranty. Disconnect incoming power before making or breaking any electrical connections.

**INSTALLATION AND SERVICE SHOULD ONLY BE PERFORMED BY QUALIFIED PERSONNEL.**

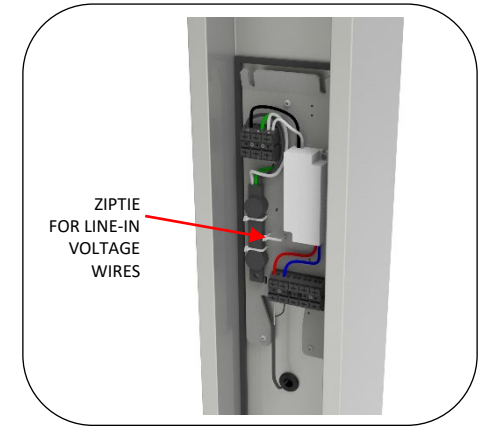
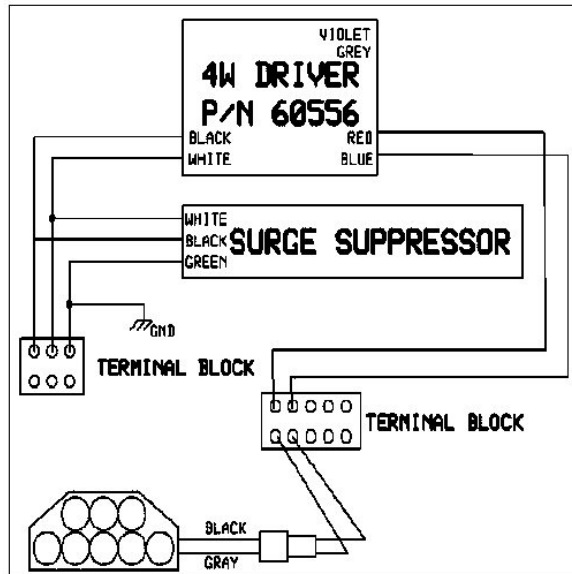
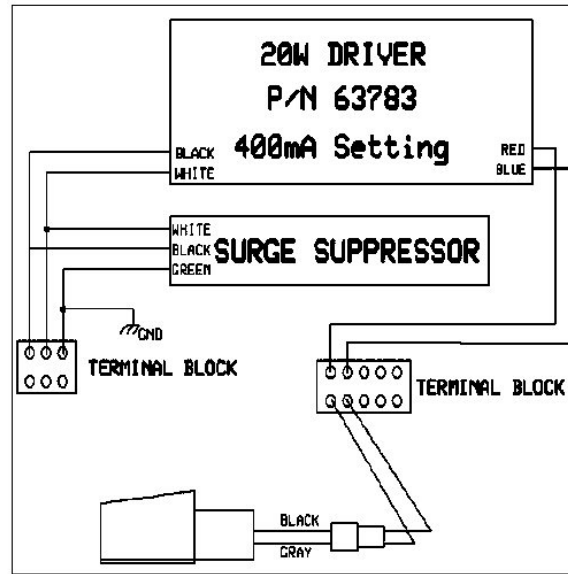


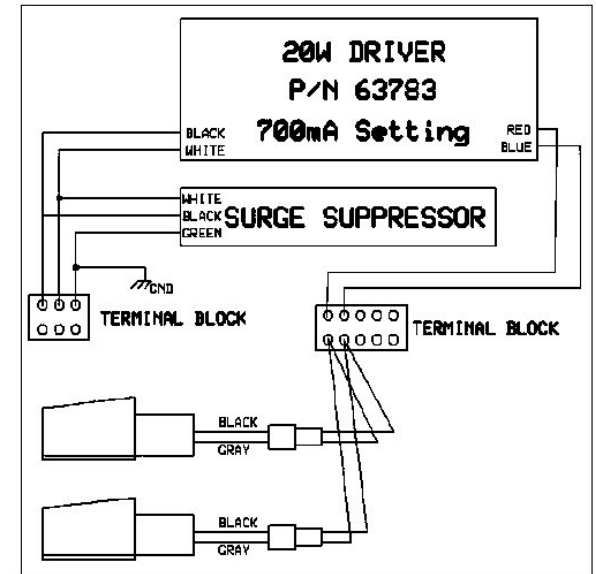
Fig. 9 – line-in voltage wiring location



Profile wayfinding bollard wiring schematic



Profile performance bollard type 4 wiring schematic



Profile performance bollard type 5 wiring schematic