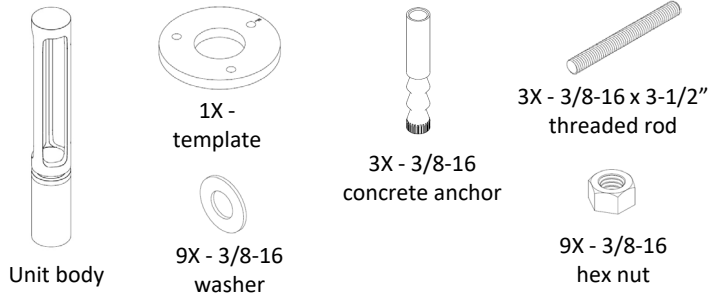




Bollard / Pathlight

Included components:



Tools Required

- safety glasses
- masonry drill with 5/8" dia bit
- compressed air and wire brush
- 5/32" pin-in-hex key
- 9/16" wrenches
- 9/16" deep socket with 3" extension
- Epoxy anchoring system for concrete

ASSEMBLE WITH CARE! Pangard II® Polyester Powdercoat is a strong, long-lasting finish. To protect this finish during assembly, place unwrapped powdercoated parts on packaging foam or other non-marring surface. Do not place or slide powdercoated parts on concrete or other hard or textured surface – this will damage the finish causing rust to occur. Use touch-up paint on any gouges in the finish caused by assembly tools.

CAUTION! Fixtures and wiring must be installed in accordance with local codes and ordinances.

NOTES:

- Landscape Forms is not responsible for site preparation, footings, or electrical wiring.
- Failure to allow for proper drainage may void the standard Landscape Forms warranty.

WARNING!: LED cartridge and driver are not rated for connection or disconnection while energized. Doing so may damage LEDs and will void the warranty. Disconnect incoming power before making or breaking any electrical connections.

PROCEDURE FOR INSTALLATION: (applies to Bollard and Pathlight)

Note: Conduit opening on base plate accepts up to (3) 3/4" trade size PVC conduits.

1. Set the drill template in the desired position and mark hole locations. Template mark "F" indicates where the front arm of the unit should align. The front arm is 180deg opposite from the handhole.
2. Drill holes according to Fig. 1.
3. Using compressed air and wire brush, clear holes of debris.
4. Assemble the template, concrete anchor, hex nuts and threaded rods as shown in Fig. 1. Fully thread rod into concrete anchor.
5. Test fit anchors into holes. Make any adjustments to the holes as necessary to allow anchors to freely install. Anchors should sit centered in hole and not rest against the sides or bottom of the drilled holes.
6. Fill anchor holes with epoxy per epoxy manufacturer's recommendation.
7. Slowly set anchor template assembly into the holes. Top of concrete anchor should be flush or slightly below grade level. Wipe away any excess adhesive. Allow epoxy to cure.
8. Remove hex nuts and template from threaded rods.
9. Install washer, two hex nuts and washer onto each threaded rod, see Fig. 2.
10. Set template on top of lower nuts and washers. Level template in all directions. Remove template.
11. Using the pin-in-hex key, remove the handhole cover, set aside.
12. Set bollard over threaded rods, ensuring the arm with the "front" tag aligns with the intended front location. Check for level. If unit is not level, lift up unit to access lower nuts and adjust as necessary. Reinstall top hex nuts and washers once unit is level.
13. Make wiring connections as required. Line-in wiring should run from backside of driver plate through strain-relief grommet and into terminal block, see Fig. 3.
14. Replace handhole cover.

Note: Bollard is designed to sit 1/8" (minimum) above grade (1/2" maximum). Bollard base should not be resting on grade.

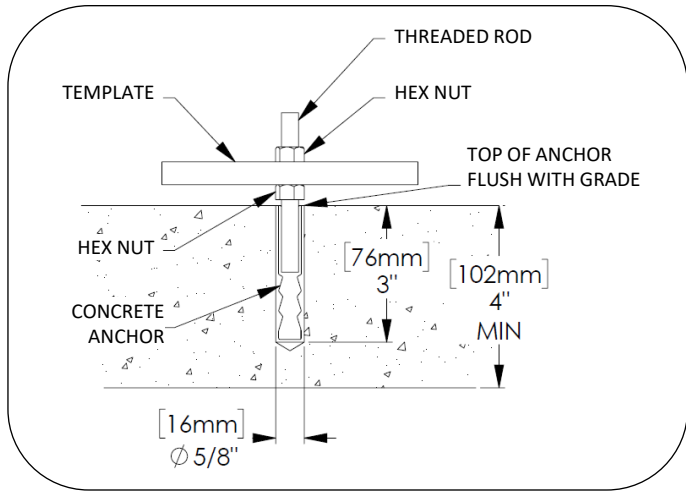


FIG. 1 – TEMPLATE/ANCHOR INSTALL

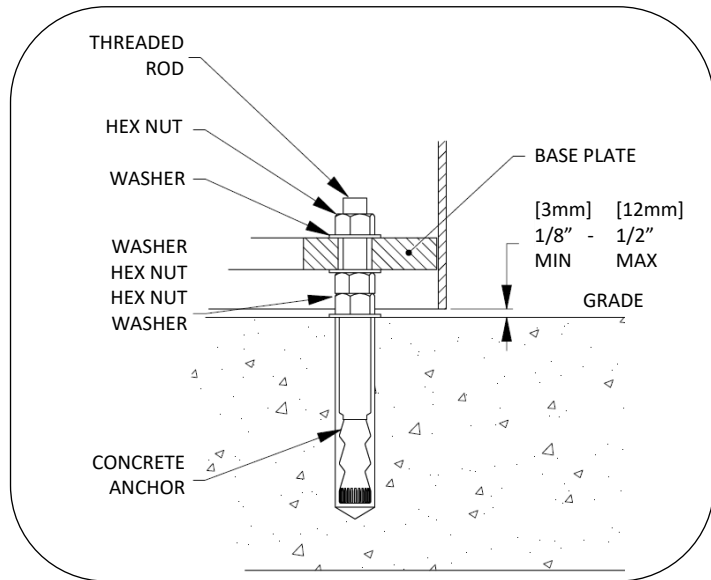


FIG. 2 – ANCHOR ASSEMBLY

PROCEDURE FOR WIRING GUIDE:

The lighted version is assembled at the factory. The light cartridge is mounted to the top of the bollard and will not need to be removed during installation. The LED cartridge is wired to the driver (located inside the pole) at the factory.

The following schematic is to be used to connect the unit to line voltage. It is the responsibility of the installer to make sure that all connections are made in accordance with the NEC and local building codes.

WARNING! LED cartridge and driver are not rated for connection or disconnection while energized. Doing so may damage LEDs and will void the warranty. Disconnect incoming power before making or breaking any electrical connections.

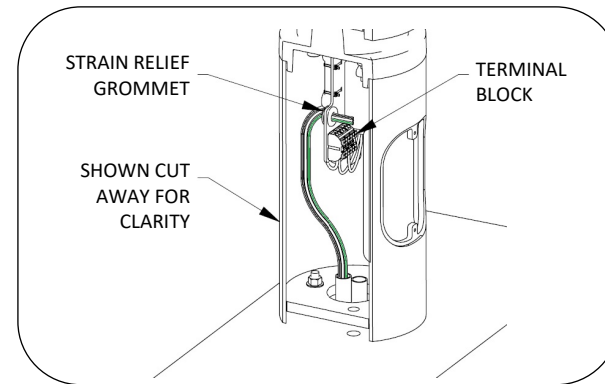


FIG. 3 – WIRING CONNECTION

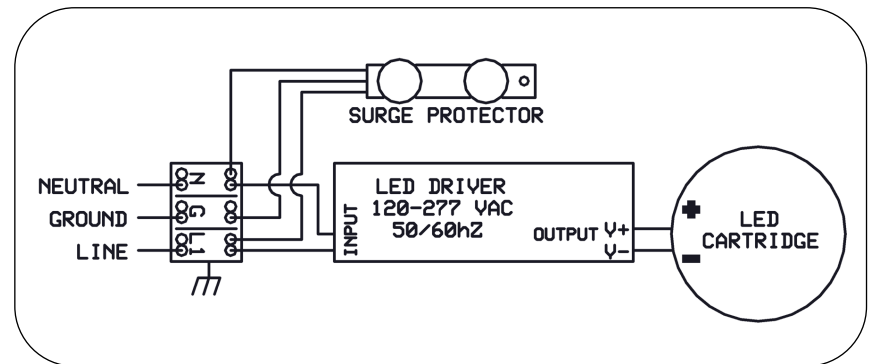


FIG. 4 – LIT BOLLARD WIRING DIAGRAM