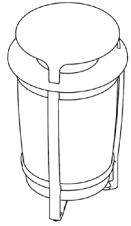
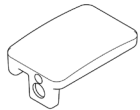


Top opening
Litter receptacle



Side opening
Litter receptacle

Included components



3x – Cover plate



3x – Set screw
1/4-20 x 1/4"

Tools Required

- Unit ships assembled

Surface mounting:

- 1/8" hex key
- Hammer drill with masonry bits
- Non-corrosive anchoring hardware, (3) required per unit (not included).

Landscape Forms, Inc. recommends maximum 3/8" dia bolt.

ASSEMBLE WITH CARE! Pangard II® Polyester Powdercoat is a strong, long-lasting finish. To protect this finish during assembly, place unwrapped powdercoated parts on packaging foam or other non-marring surface. Do not place or slide powdercoated parts on concrete or other hard or textured surface – this will damage the finish causing rust to occur. Use touch-up paint on any gouges in the finish caused by assembly tools.

INSTALLATION PROCEDURE:

Note: Freestanding unit ships fully assembled. Unit can be set in position.

FOR SURFACE MOUNT:

1. Set unit in position. Using 1/8" hex key, remove cover plates. Set aside for later use.
2. Mark hole locations.
3. Move unit and drill holes. Clear debris from holes.
4. Set unit in place and install anchor bolts (not supplied by Landscape Forms) according to anchor manufacturer's instructions.

FOR COVER PLATE INSTALLATION:

1. Install cover plates by inserting tab end into casting frame.
2. Using 1/8" hex key, install 1/4-20 set screw through the casting frame until it engages the cover plate. Repeat for all cover plates.

Warning! Do not over tighten the set screw, which can cause the cover plate to deform.

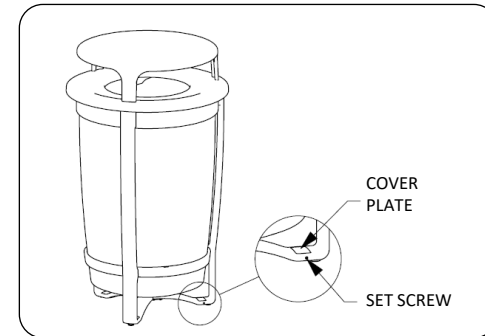


Fig. 1 – Cover plate location

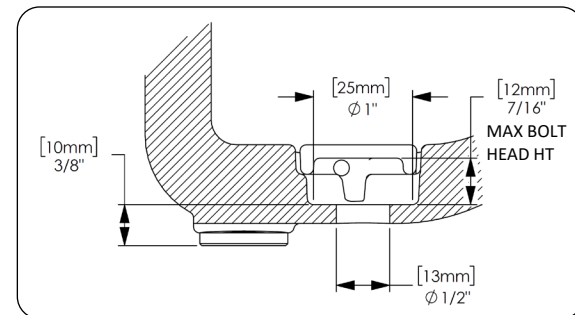


Fig. 2 – Optional surface mount detail