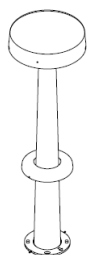


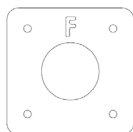


Surface Mount

Included hardware



1x – path light assembly



1x – anchor template



4x – concrete anchor



4x – 5/16 washer



4x – 5/16-18 x 1" hex hd bolt

Tools Required

- Safety glasses
- Screwdrivers
- Wiring tools and connectors
- 1/2" wrench or socket
- Hammer drill, with 1/2" dia bit
- 2mm hex key
- Epoxy anchoring system for concrete
- Wire brush and compressed air for clearing anchor holes

LIGHTING LAYOUT RECOMMENDATIONS:

Path light spacing is the responsibility of others. Refer to the Motive Path Light Product Data Sheet, available on www.landscapeforms.com, for light distribution options.

ASSEMBLE WITH CARE! Pangard II® Polyester Powdercoat is a strong, long-lasting finish. To protect this finish during assembly, place unwrapped powdercoated parts on packaging foam or other non-marring surface. Do not place or slide powdercoated parts on concrete or other hard or textured surface – this will damage the finish causing rust to occur. Use touch-up paint on any gouges in the finish caused by assembly tools.

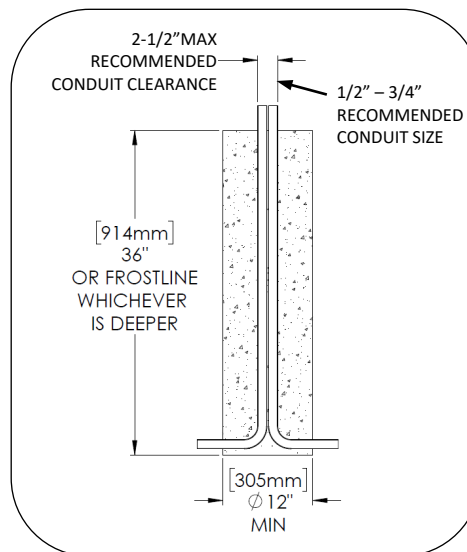


Fig. 1 – Minimum footing recommendation

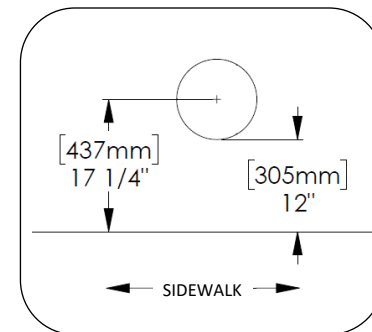


Fig. 2 – Recommended setback from sidewalk

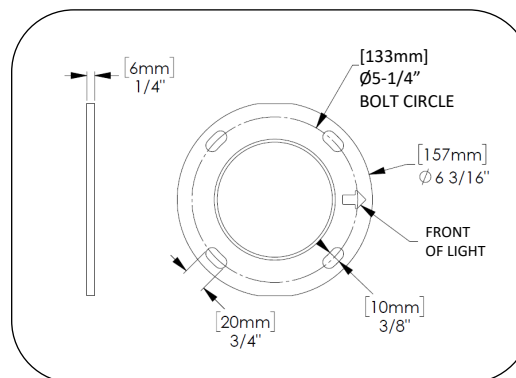


Fig. 3 – Base plate detail

Landscape Forms is not responsible for site preparation and footings. Footing recommendations are included in these instructions.

INSTALLATION PROCEDURE FOR PATH LIGHT:

1. Prepare footing as required by local codes, see Fig. 1, Fig. 2 and Fig. 5 for recommendations.
2. Set wooden anchor template in position over conduit. The 'F' on the template indicates the front of the unit.
3. Mark anchor hole locations and remove the template.
4. Drill holes according to anchor size and depth, see Fig. 5. Clear holes of debris.
5. Attach anchors to wooden anchor template as shown in Fig. 4.
6. Test fit template assembly with anchors into position before installing epoxy. Make any adjustments as necessary to allow concrete anchors to freely install. Concrete anchor should sit centered in hole and not rest against the side of the drilled hole.
7. Add epoxy to anchor holes per epoxy manufacturer's recommendations.
8. Slowly set template assembly with anchors into position. Wipe away any excess epoxy before it cures.
9. Allow epoxy to fully cure. Remove hex bolts and washers. Remove wooden template.
10. Loosen set screws in dome, see Fig. 6 and Fig. 7. Do not fully back out set screws. Set the dome aside on non-marring surface.
11. Lay fixture on its side, with the base near the conduit and anchors. Pull supply wires through two holes in top of post, see Fig. 8.
12. Make wiring connections (refer to page 3) between driver plate and line-in supply wiring, see Fig. 9 and Fig. 10.
13. Align arrow on base plate with front location of path light. Set pole over concrete anchors and attach using hex bolts and washers as shown in Fig. 5.
14. Reattach dome to fixture. Align set screws with the holes in the cartridge and tighten evenly. Gently lift the dome while threading in the set screws to check for proper engagement of threads.
15. Unwrap cover plate and set in position over base plate. Secure cover plate to base plate with two set screws. Set screws should be tightened against flat sides of base plate.

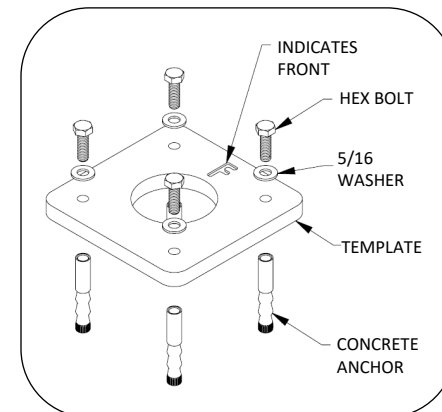


Fig. 4 – Assembly template and anchors

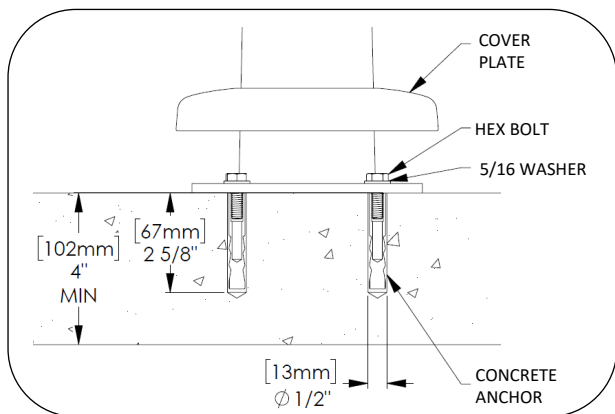


Fig.5 – Anchor detail

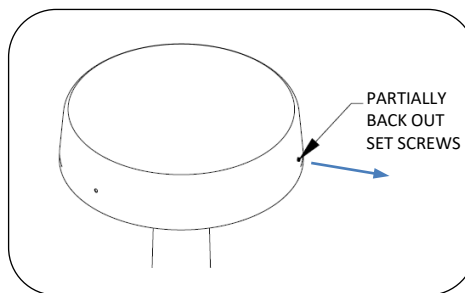


Fig. 6 – Loosen set screws

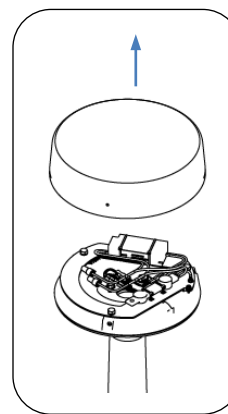


Fig. 7 – Remove dome

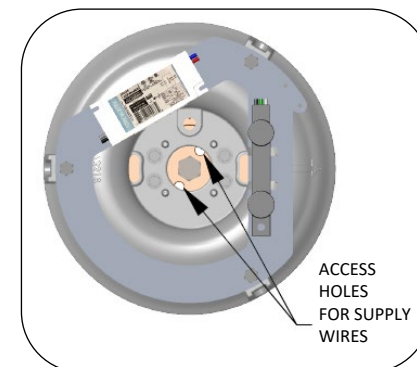


Fig. 8 – Supply wires holes

PROCEDURE FOR WIRING PATH LIGHT:

The following schematic is to be used to connect the unit to line voltage. It is the responsibility of the installer to make sure that all connections are made in accordance with the NEC and local building codes. Connection hardware not included.

WARNING! LED cartridge and driver are not rated for connection or disconnection while energized. Doing so may damage LEDs and will void the warranty. Disconnect incoming power before making or breaking any electrical connections.

INSTALLATION AND SERVICE SHOULD ONLY BE PERFORMED BY QUALIFIED PERSONNEL.

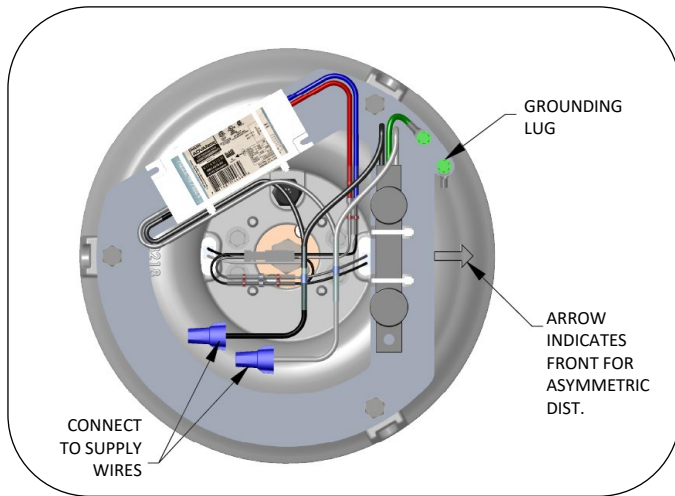


Fig. 9 – Make wiring connections

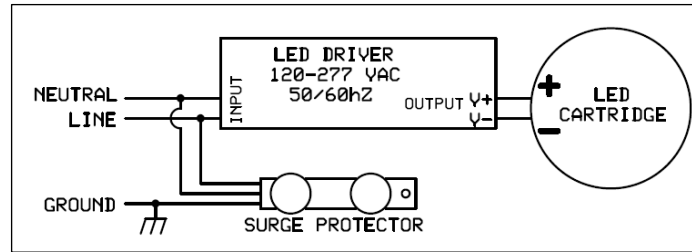


Fig. 10 – Path light wiring schematic