

# Motive Area Light

landscapeforms®

Spec Sheet | AJ500



Motive is a sophisticated family of lights that blurs the line between indoor and outdoor lighting to create out-of-the-ordinary settings. Designed by Justin Champaign, Motive celebrates the beauty of illumination and its interaction with architecture, objects, and space. The luminaires' neutral sculptural form address an array of applications for buildings and grounds, pathways, social spaces, and high-profile areas such as art installations and entrances.

## Housing & Materials

A UV stable, impact modified diffused acrylic lens seals to the cast aluminum round luminaire housing. Luminaire mounts to a tenon on the top of pole and is secured with three stainless steel set screws. Top cover is secured by three magni-coated cap screws on top of the luminaire.

## Electrical

Internally mounted surge protected 120V through 277V 50/60Hz electronic driver, 0-10V dimming. -40°C start temperature. Available with optional ANSI C136.41 twist lock receptacle Motive area light ships prewired.

## Light Engine

Cast aluminum light cartridge with high powered LEDs mounted to a RoHS compliant circuit board delivers indirect lighting in conjunction with the spun aluminum reflector (not available on Lambertian). Replaceable cartridge provides ease of installation and serviceability. Available in 2700K, 3000K, 3500K, and 4000K. >80 CRI across all available color temperatures.

## Distributions



Lambertian



TIV



TV

## Warranty

LED lighting products are warranted for six years.

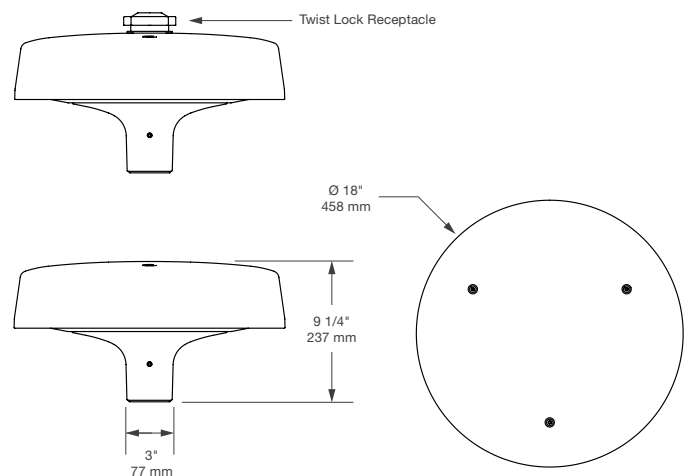
## Certification

UL Listed for Wet Location, CE, International Dark Sky Approved, Buy America Compliant, RoHS Compliant



Designed by Justin Champaign

[Click here](#) for patent information related to this product.



Weight: 27 lbs (luminaire only)

EPA: 0.69 ft<sup>2</sup>

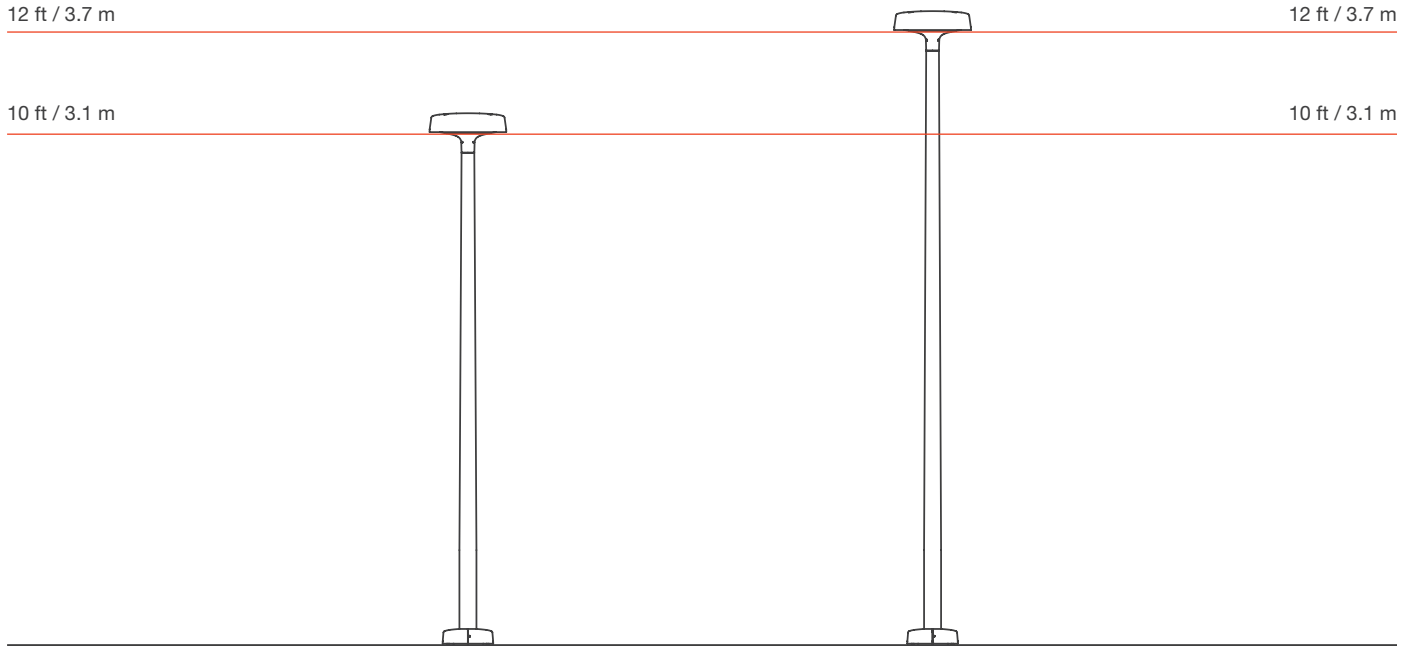
TM21 L70(10k): 60,000 hrs

Protection Class: IP66

# Motive Area Light

landscapeforms®

Spec Sheet | AJ500



## Pole

Round pole is tapered 4" to 3" and manufactured from seamless 6061 aluminum tubing and heat treated to produce a T6 temper. Nominal wall thickness is 0.125". Flush mounted hand hole cover includes two magni-coated fasteners. Pole is topped with standard dimension 2-3/8" dia x 4" tenon.

Base plate is cast aluminum A356 alloy heat treated to a T6 temper. Base cover is a two-piece cast aluminum cover plate. Pole is mounted at grade with galvanized steel anchor bolts. Template and anchor hardware included.

Model	Distribution Type	Drive Current	Delivered Lumens	System Wattage	BUG Rating
AJ500-T4-40F	Type IV	400mA	1362	16.0	B1-U0-G1
AJ500-T4-60F	Type IV	600mA	1973	24.1	B1-U0-G1
AJ500-T5-80F	Type V	800mA	2761	31.7	B2-U0-G1
AJ500-T5-120F	Type V	1200mA	3987	47.9	B2-U0-G1
AJ500-LB-80F	Lambertian	800mA	2487	31.7	B1-U0-G1

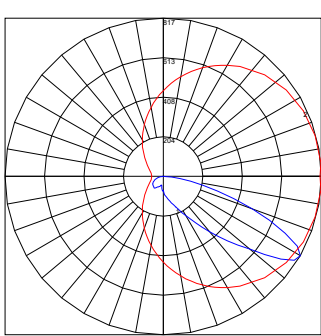
This data is subject to change.

# Motive Area Light

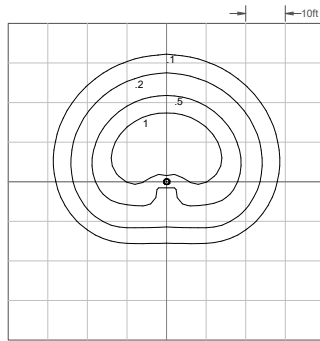
landscapeforms®

Spec Sheet | AJ500

## AJ500-T4-40F

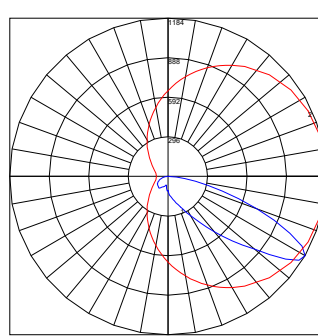


Maximum Candela=816.891  
Located at Horizontal Angle=5,  
Vertical Angle=6

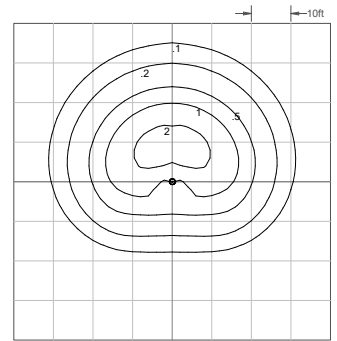


Mounting Height:10ft

## AJ500-T4-60F

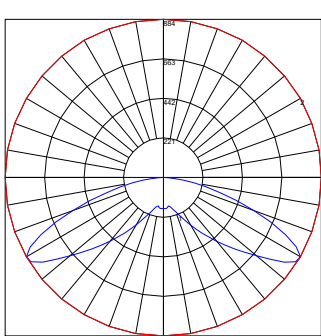


Maximum Candela=1183.9  
Located at Horizontal Angle=5,  
Vertical Angle=60

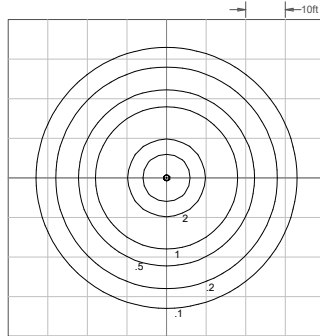


Mounting Height:10ft

## AJ500-T5-80F

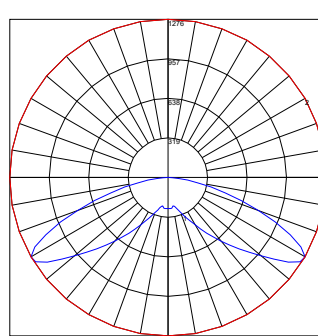


Maximum Candela=884.2  
Located at Horizontal Angle=0,  
Vertical Angle=60

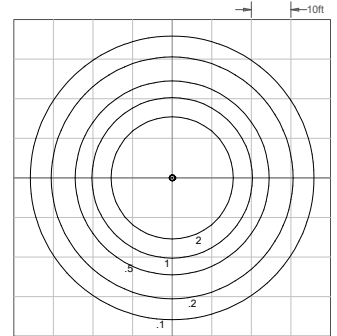


Mounting Height:10ft

## AJ500-T5-120F

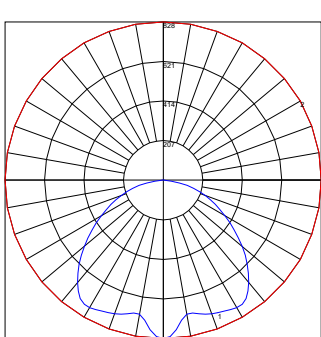


Maximum Candela=1276.4  
Located at Horizontal Angle=0,  
Vertical Angle=60

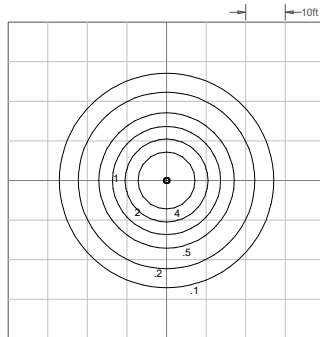


Mounting Height:10ft

## AJ500-LB-80F



Maximum Candela=828.2  
Located at Horizontal Angle=0,  
Vertical Angle=0



Mounting Height:10ft

# Motive Area Light

landscapeforms®

Spec Sheet | AJ500

## Luminaire

Product	Distribution & Drive Current *	Color Temperature **	Input Voltage	Connection	Twist Lock
AJ500 (Motive Area Light)	T4-40F (Type IV, 400mA)	27K (2700K)	UV1 (100V277V, 50/60 Hz)	P2 (Tenon Mount)	NTW (No Twist Lock)
	T4-60F (Type IV, 600mA)	30K (3000K)			TW1 (7-pin Twist Lock)
	T5-80F (Type V, 800mA)	35K (3500K)			
	T5-120F (Type V, 1200mA)	40K (4000K)			
	LB-80F (Lambertian, 800mA)				

Example: AJ500 – T4 – 40F – 27K – UV1 – P2 – TW1 – Powdercoat

\* Type 4 and type 5 available with a diffused lens only; lambertian available with a clear lens only.

\*\* For Dark Sky certification, 3000k or warmer must be selected.

## Pole

Lens Height	Pole Part Number	Description	Wall Thickness	Pole Weight
10 ft (3.1m)	AJ550-10-01	4" (101.6mm) to 3" (76.2mm) Tapered Aluminum Pole	0.125" (3.2mm)	25.5 lbs
12 ft (3.7m)	AJ550-12-01	4" (101.6mm) to 3" (76.2mm) Tapered Aluminum Pole	0.125" (3.2mm)	28.6 lbs

Example: AJ550-12-01

## Notes:

---



---



---



---



---



---

# Motive Area Light

landscapeforms®

Material / Colors Sheet | AJ500

## Vivid Series - Powdercoated Metal\* (Fine Texture)



## Neutral Series - Powdercoated Metal\*



## Architectural Series - Powdercoated Metal\* (Fine Texture)



# Motive Area Light

landscapeforms®

Material / Colors Sheet | AJ500

## Powdercoated Metal

Powdercoated Metal Pangard II® Polyester Powdercoat is a hard, yet flexible, finish that resists rusting, chipping, peeling and fading. In addition to colors shown, a wide selection of optional and custom colors may be specified for an upcharge.

\* All colors and patterns shown are approximate and may vary from sample and final.

*Visit [landscapeforms.com](https://landscapeforms.com) for more information. Specifications are subject to change without notice. Landscape Forms supports the Landscape Architecture Foundation at the Second Century level. ©2023 Landscape Forms, Inc.*

*[landscapeforms.com](https://landscapeforms.com) | [specify@landscapeforms.com](mailto:specify@landscapeforms.com)*