

Motive Floor Lamp

landscapeforms®

Spec Sheet | AJ400



Motive is a sophisticated family of lights that blurs the line between indoor and outdoor lighting to create out-of-the-ordinary settings. Designed by Justin Champaign, Motive celebrates the beauty of illumination and its interaction with architecture, objects, and space. The luminaires' neutral sculptural form address an array of applications for buildings and grounds, pathways, social spaces, and high-profile areas such as art installations and entrances.

Housing & Materials

6061 round extruded aluminum frame and square aluminum arm, with 6061 aluminum bar machined components. 1/4" (6mm) thick carbon steel base plate, with welded-on toe ring for freestanding unit, with optional anchor hardware included for optional surface mounting. All hardware is magni-coated.

Electrical

Surge protected 120V 50/60 Hz, non-dimmable electronic driver, is IP66 rated and internally mounted in a linear orientation on a sheet aluminum mounting plate. -40°C start temperature. Driver is connected to an external cord via terminal block installed at the factory for the freestanding version, while the surface mount allows for easy line in wiring to the terminal block in the field. Motive floor lamp ships out in two prewired parts for ease of assembly in the field.

Light Engine

LED cartridge assembly is IP66 rated and uses high powered LEDs mounted to a RoHS compliant circuit board with integrated overvoltage protection. Weatherproof quick disconnect provides ease of installation and serviceability. Acrylic optics affixed to each board provide a spot distribution, available in 2700K, 3000K, 3500K, and 4000K. >80CRI across all available color temperatures.

Distribution



Spot

Warranty

LED lighting products are warranted for six years.

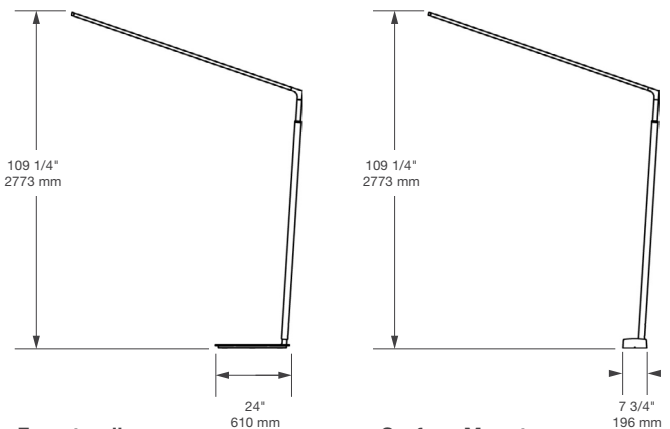
Certification

UL Listed for Wet Location, CE, International Dark Sky Approved, Buy America Compliant, RoHS Compliant



Designed by Justin Champaign

[Click here](#) for patent information related to this product



Freestanding

Weight: 53 lbs

TM21 L70(10k): 60,000 hrs
Protection Class: IP66

Surface Mount

Weight: 20 lbs

TM21 L70(10k): 60,000 hrs
Protection Class: IP66

Motive Floor Lamp

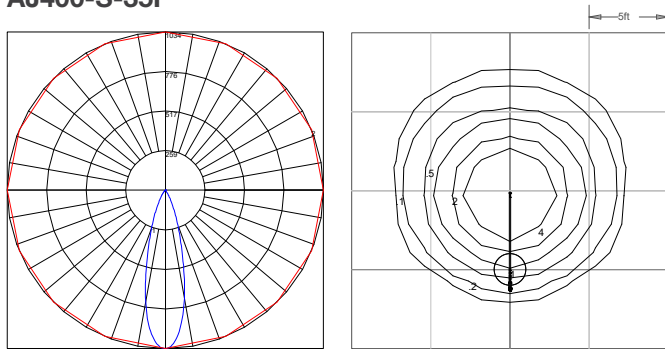


Spec Sheet | AJ400

Model	Distribution Type	Drive Current	Delivered Lumens	System Wattage	BUG Rating
AJ400-S-35F	Spot	350mA	300	4.2	N/A

This data is subject to change.

AJ400-S-35F



Maximum Candela=1034
 Located at Horizontal Angle=180,
 Vertical Angle=0

Luminaire

Product	Color Temperature*	Mounting	Input Voltage
AJ400 (Floor Lamp)	27K (2700K)	FS (Freestanding)	UV1 (120V, 50/60 Hz)
	30K (3000K)	SM (Surface Mount)	
	35K (3500K)		
	40K (4000K)		

Example: AJ400 – 27K – SM – UV1 – Powdercoat

* For Dark Sky certification, 3000k or warmer must be selected.

Notes:

Motive Floor Lamp

landscapeforms®

Material / Colors Sheet | AJ400

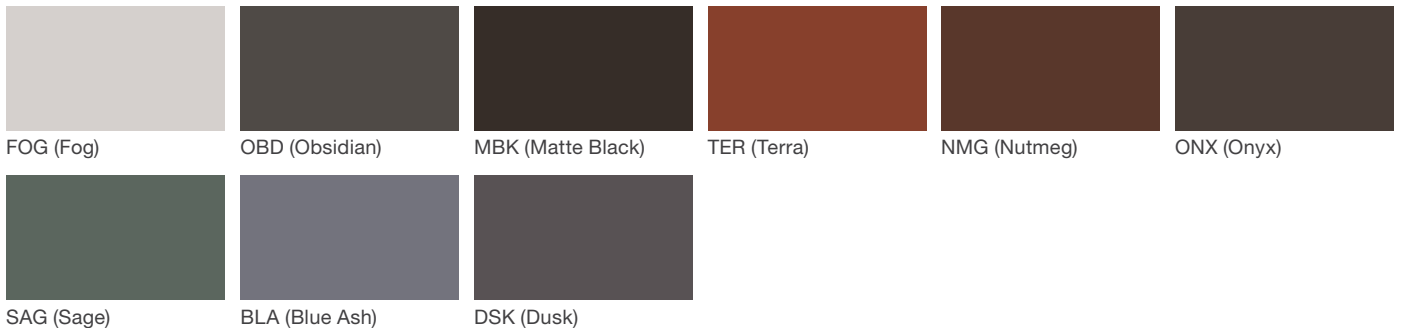
Vivid Series - Powdercoated Metal* (Fine Texture)



Neutral Series - Powdercoated Metal*



Architectural Series - Powdercoated Metal* (Fine Texture)



Motive Floor Lamp

landscapeforms®

Material / Colors Sheet | AJ400

Powdercoated Metal

Powdercoated Metal Pangard II® Polyester Powdercoat is a hard, yet flexible, finish that resists rusting, chipping, peeling and fading. In addition to colors shown, a wide selection of optional and custom colors may be specified for an upcharge.

* All colors and patterns shown are approximate and may vary from sample and final.

*Visit landscapeforms.com for more information. Specifications are subject to change without notice. Landscape Forms supports the Landscape Architecture Foundation at the Second Century level.
©2023 Landscape Forms, Inc.*

landscapeforms.com | specify@landscapeforms.com