

Top Opening Litter

Side Opening Litter

Tools Required

- Safety glasses
- hex keys: 1/8", 3/16"
- hammer drill with masonry bits
- Anchoring hardware for surface mount option. Two anchors, 3/8" diameter or less, are required per unit. The base casting adds 3/8" to the anchor length. The installer is responsible for anchoring hardware suitable for site conditions. Corrosion resistant anchors are recommended.

• **CAUTION!** This litter receptacle is heavy. To avoid injury or damage to the finish, we recommend using a two-wheeled hand truck to move this item.



PROCEDURE FOR INSTALLATION:

FOR SURFACE MOUNTED LITTER RECEPTACLE:

1. Place the unit in the desired position. Open the bin in both directions to check clearance.
2. Remove the cover plate. Using the 1/8" hex key, back out the two set screws, shown in Fig. 2, to disengage the cover plate. Set aside, retaining the set screws.
3. Mark anchor locations through the holes in the base.
4. Move the unit to allow access for drilling holes.
5. Drill holes at marked locations according to anchor manufacturer's specification.
6. Complete the anchor installation according to the anchor manufacturer's instructions.
7. Adjust the four levelers as necessary, using a 3/16 hex key.
8. Reinstall the cover plate and two set screws.

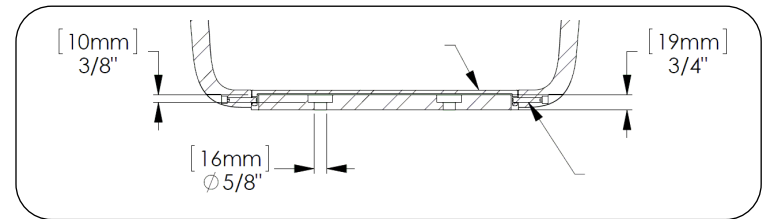


Fig. 1 – surface mount base section

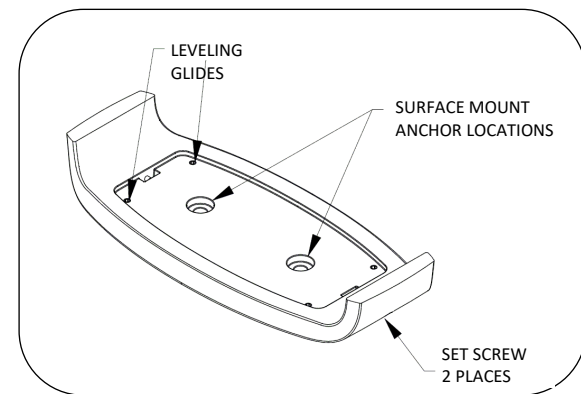


Fig. 2 – surface mount base details

ASSEMBLE WITH CARE! Pangard II® Polyester Powdercoat is a strong, long-lasting finish. To protect this finish during assembly, place unwrapped powdercoated parts on packaging foam or other non-marring surface. Do not place or slide powdercoated parts on concrete or other hard or textured surface – this will damage the finish causing rust to occur. Use touch-up paint on any gouges in the finish caused by assembly tools.