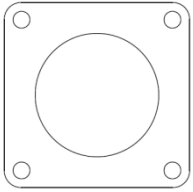
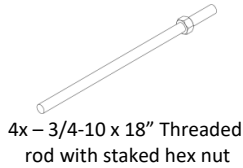


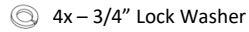
Included components



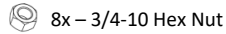
1x – wooden drill template



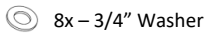
4x – 3/4-10 x 18" Threaded rod with staked hex nut



4x – 3/4" Lock Washer



8x – 3/4-10 Hex Nut



8x – 3/4" Washer

Tools Required

- Safety glasses
- Wrenches, 1-1/8"
- Level

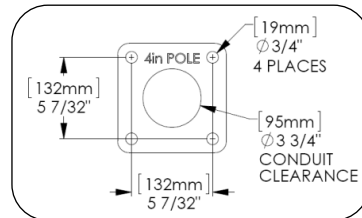
LIGHTING LAYOUT RECOMMENDATIONS:

Refer to the product data sheet available at www.landscapeforms.com for recommendations for light pole spacing.

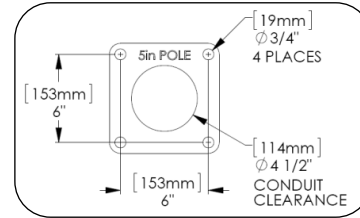
Landscape Forms is not responsible for site preparation and footings. The following chart gives necessary information for calculating proper footing size, depending on the specified light pole.

WARNING! Pole mounted luminaires must be attached either before or *immediately* after pole installation. Failure to do so may cause vibration damage to the pole and will void the pole warranty.

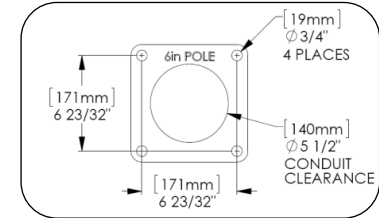
Pole Size	Base Overturning Moment (ft-lbf)	Base Shear (lbf)
4"x.125"	2504	227
5"x.125"	4015	301
5"x.156"	4947	317
6"x.156"	7247	378



4" diameter pole



5" diameter pole



6" diameter pole

INSTALLATION PROCEDURE FOR ANCHOR BOLTS:

1. Prepare footing as required by local codes.
2. Install staked anchor bolts, hex nuts, washers and wooden template as shown in Fig 4 and Fig. 5. Level template in all directions.
3. After footing has properly cured, remove wooden template. Do not remove lower hex nuts or washers.

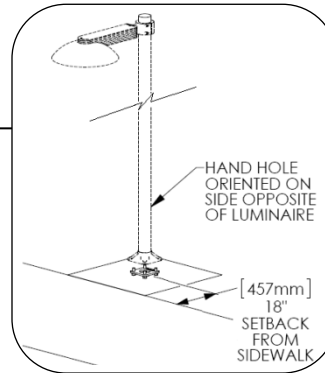


Fig. 1 - Anchor rod detail

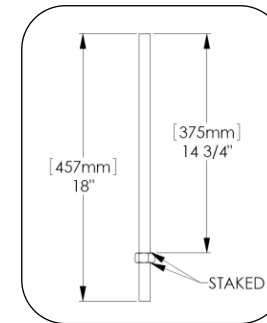


Fig. 2 - Anchor rod detail

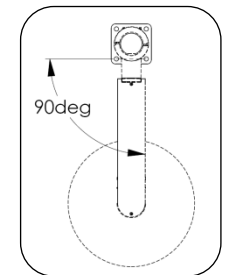


Fig. 3 – Base plate orientation to luminaire

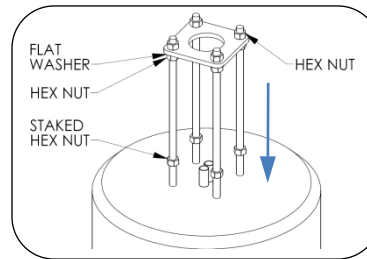


Fig. 4 - Anchor rod detail

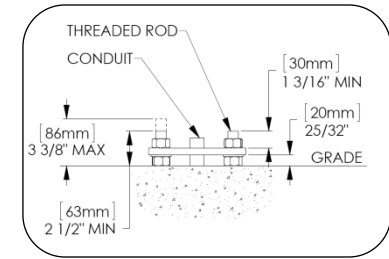
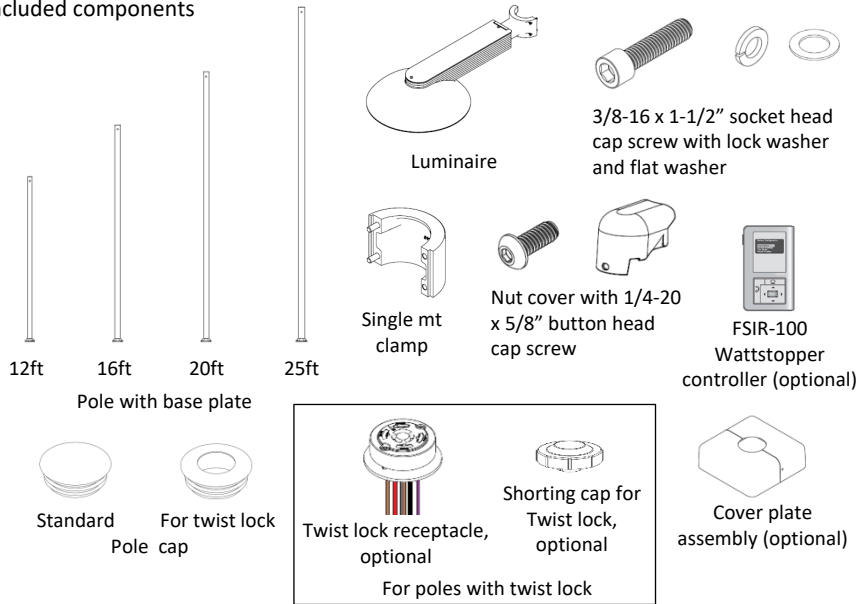


Fig. 5 - Anchor rod detail

Included components



Important: Read all installation instructions before proceeding.

Landscape Forms is not responsible for site preparation and footings. Refer to the installation guide for the LEO Area Light anchor kit for installing the anchor bolts.

CAUTION! This unit is heavy. To avoid injury or damage to the finish, we recommend using a crane or lift for hoisting the unit onto the anchors. Do not lift unit by the luminaire head.

WARNING! Pole mounted luminaires must be attached either before or *immediately* after pole installation. Failure to do so may cause vibration damage to the pole and will void the pole warranty.

WARNING! LED cartridge and driver are not rated for connection or disconnection while energized. Doing so may damage LEDs and will void the warranty. Disconnect incoming power before making or breaking any electrical connections.

INSTALLATION INSTRUCTIONS:

Note: It is recommended to mount the luminaire to the pole before lifting the pole into position on the anchors.

1. Route the line voltage wires (provided by others) up the pole and through the opening at the top of the pole.
2. Using a Phillips screwdriver, remove (2) ¼-20 machine screws and sealing washers to remove the luminaire cover. See Fig. 1. Set aside, retain hardware.
3. Route the wires through the luminaire mounting bracket, see Fig. 2. Ensure wires are routed through the opening in the luminaire and are not pinched. Refer to wiring diagrams on page 3.
4. Attach the luminaire bracket to the clamp, or other luminaire if mounting double luminaires, on the pole using (4) socket head cap screws, lock washers and flat washers.
5. Connect line voltage wires to driver. Take precautions to provide strain relief on supply wires.
6. Reattach luminaire cover with (2) ¼-20 machine screws and sealing washers that were removed in step 2. See Fig. 4.
7. Install the top cap on the pole (shipped with the pole). If the unit has a twist lock receptacle, assemble the receptacle and the top cap as shown in Fig. 5 and connect wiring before installing the top cap. Install provided shorting cap or photo-electric control.
8. Lift the light pole into position over the installed anchors (refer to LEO anchor kit installation guide) as shown in Fig. 6. Ensure that the base plate is resting on all four washers.
9. Install washer, lock washer and hex nut as shown in Fig. 6.
10. Plumb and level the pole and tighten all anchors.
11. Install the nut covers as shown in Fig. 7 or the cover plate as shown in Fig. 8.

Tools Required

- Safety glasses
- Wrenches, 1-1/8"
- Screwdriver, Phillips
- Wiring tools and connectors
- Proper personnel, crane or lift for hoisting unit onto anchors
- Level
- Hex keys
- 5/16" hex key socket with 1-1/2" extension.
- Twist lock photo eye, if required

ASSEMBLE WITH CARE! Pangard II® Polyester Powdercoat is a strong, long-lasting finish. To protect this finish during assembly, place unwrapped powdercoated parts on packaging foam or other non-marring surface. Do not place or slide powdercoated parts on concrete or other hard or textured surface – this will damage the finish causing rust to occur. Use touch-up paint on any gouges in the finish caused by assembly tools.

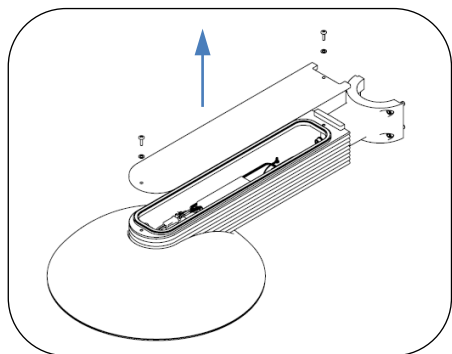


Fig. 1 – Remove access panel

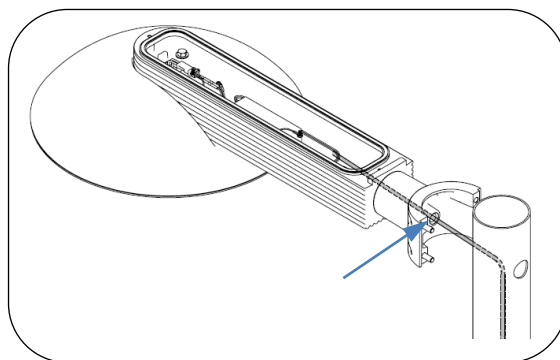


Fig. 2 - Install luminaire

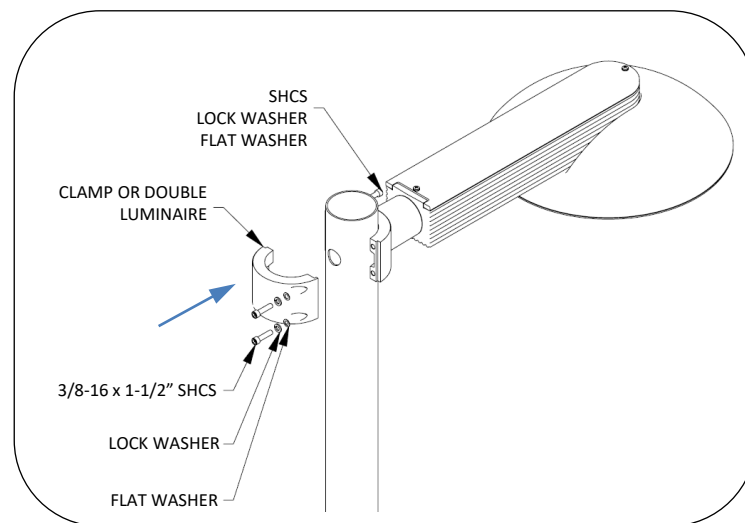


Fig. 3 – Install clamp

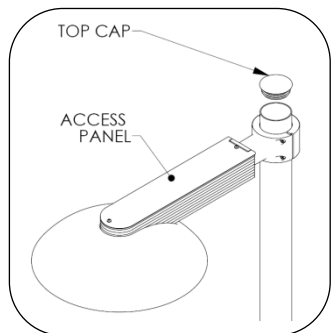


Fig. 4 – Install top cap

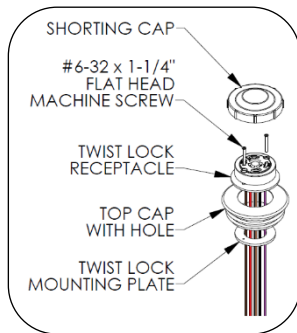


Fig. 5 – Install optional twist lock receptacle to top cap

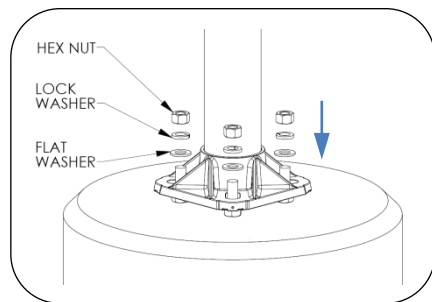


Fig. 6 – Install pole

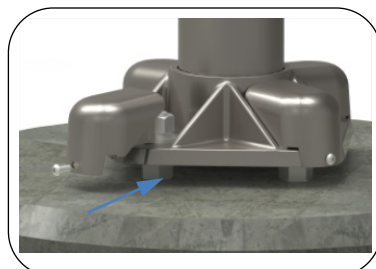


Fig. 7 – Install nut covers

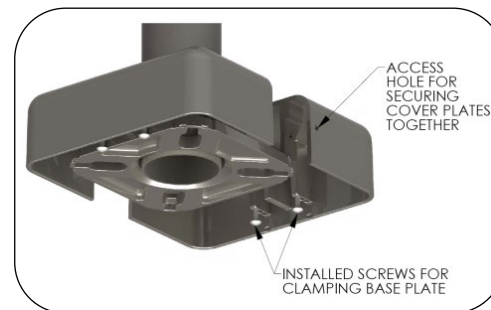


Fig. 8 – Install cover plates

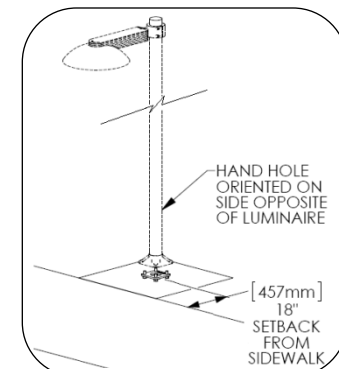


Fig. 9 – Pole orientation

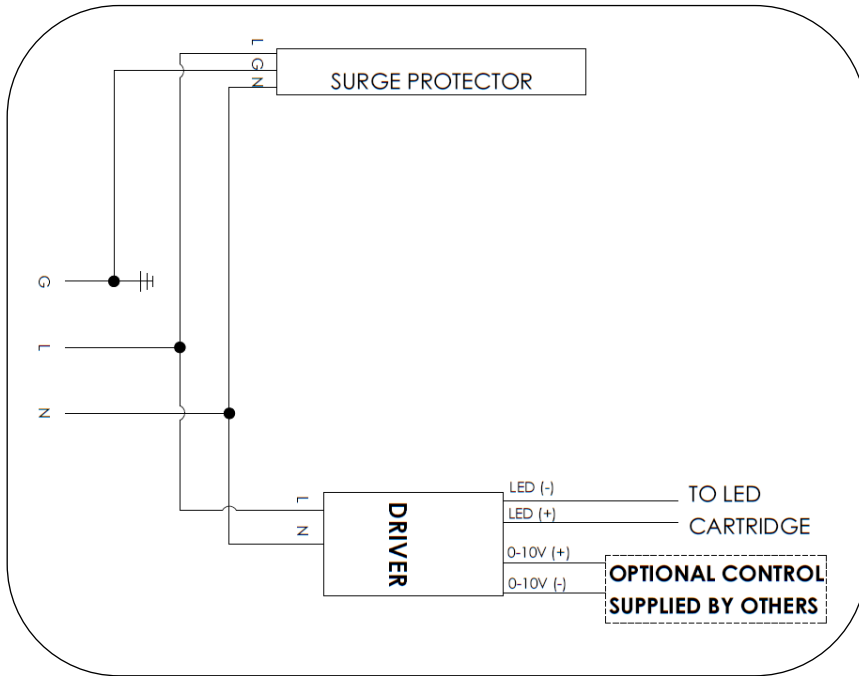
PROCEDURE FOR WIRING LEO:

The LEO luminaire is assembled at the factory. The light cartridge is mounted into the head of the dome and will not need to be removed during installation. The LED cartridge is wired to the driver (located in the arm of the luminaire) at the factory. Use of LED drivers other than the supplied unit is not recommended and will void the warranty.

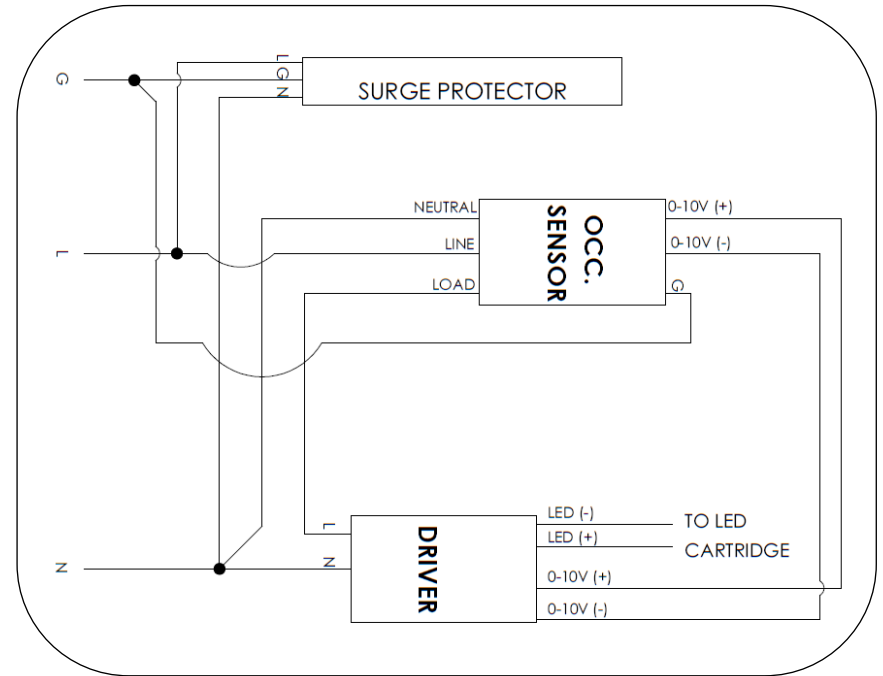
The wiring schematics are to be used to connect the unit to line voltage. It is the responsibility of the installer to make sure that all connections are made in accordance with the NEC and local building codes. Connection hardware not included.

Line-in wires should be connected to the terminal block as shown. Optional dimming control is not included.

WARNING: LED cartridge and driver are not rated for connection or disconnection while energized. Doing so may damage LEDs and will void the warranty. Disconnect incoming power before making or breaking any electrical connections.



WIRING DIAGRAM: without occupancy sensor



WIRING DIAGRAM: with occupancy sensor