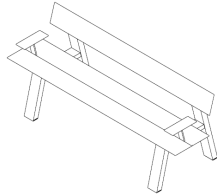
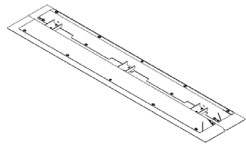


Backed bench, armless

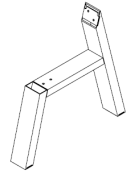


Backed bench, end arms

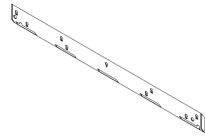
Included components:



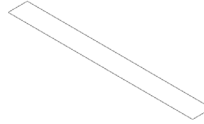
Seat deck assembly -1x



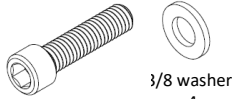
Bench support - 2x



Back cross brace -1x

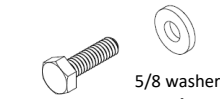


Back board -1x



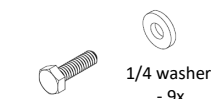
3/8-16 x 1-1/2" socket head cap screw - 4x

3/8 washer - 4x



5/16-18 x 5/8" hex head screw - 4x

5/8 washer - 4x



1/4-20 x 1/2" hex head screw - 9x

1/4 washer - 9x



Arm (if specified) - 2x

Tools required for assembly

- Safety glasses
- 5/16 hex key/bit
- 1/2" socket wrench
- 7/16" wrench
- 5/32 hex key/bit for optional arm install
- Protective padding material

PROCEDURE FOR ASSEMBLY:

Note: DO NOT DRAG bench across concrete or other rough surfaces. This could damage the powder coat finish. After inspecting parts, packaging skid and materials may be used for assembling units. Loosely install all hardware until unit is fully assembled. Tighten hardware.

1. Set bench seat upside down on raised, protective surface.
2. Attach bench supports to bench seat, using (2) 3/8-16 x 1-1/2" hex head cap screws and washers per support, see Fig. 1.
3. Install arm assemblies, if specified, using (4) 1/4-20 x 3/4" button head cap screws and washers per arm, see Fig. 2.
4. Turn bench upright. Attach back brace to supports using (2) 5/8-16 x 5/8" hex head bolts and washers per support, see Fig. 3 and Fig. 4. Slots on back brace should be facing down.
5. Install 1/4-20 x 1/2" hex head bolts and washers into back board at all 9 threaded insert locations, see Fig. 5. Do not fully tighten – leave approx. 1/4" between board and underside of bolt head.
6. Slide back board with screws installed into keyholes on back cross brace and move down into position. See Fig. 6.
7. Tighten 1/4-20 hex head bolts from access holes on underside of back cross brace. Do not overtighten.
8. Fully tighten all hardware.
9. Set bench in position.
10. Refer to surface mount install guide if bench is specified with surface mount tabs for anchoring.

ASSEMBLE WITH CARE! Pangard II® Polyester Powdercoat is a strong, long-lasting finish. To protect this finish during assembly, place unwrapped powdercoated parts on packaging foam or other non-marring surface. Do not place or slide powdercoated parts on concrete or other hard or textured surface – this will damage the finish causing rust to occur. Use touch-up paint on any gouges in the finish caused by assembly tools.

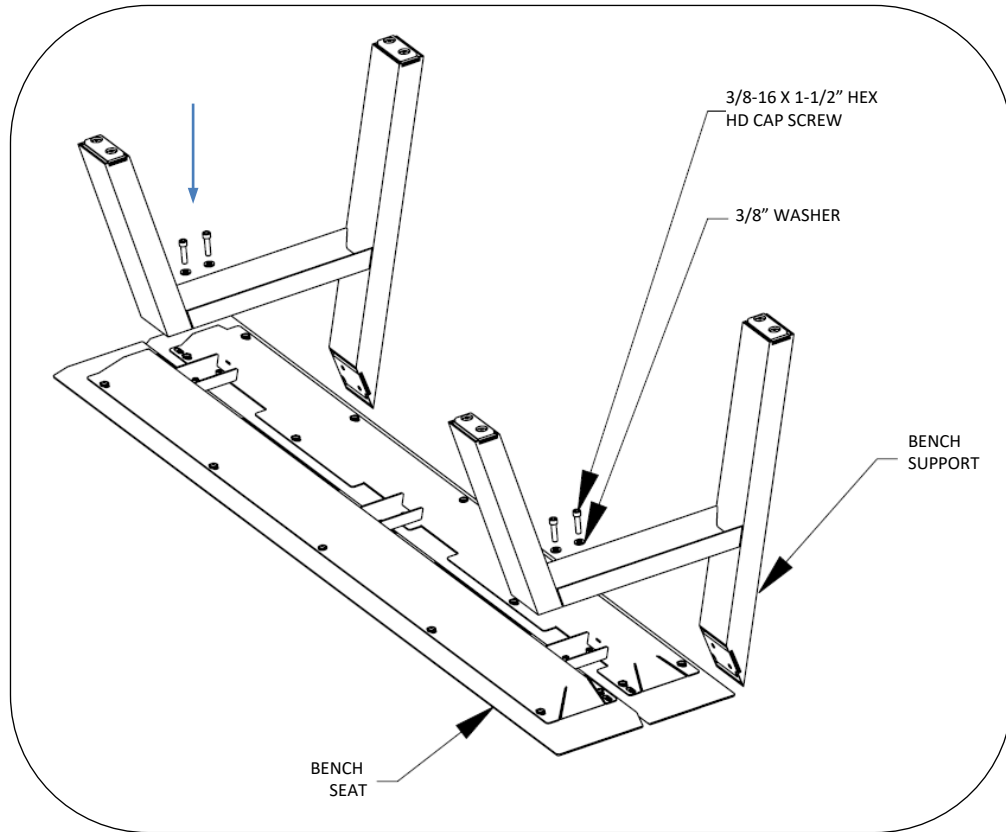


Fig. 1 – attach supports to bench seat

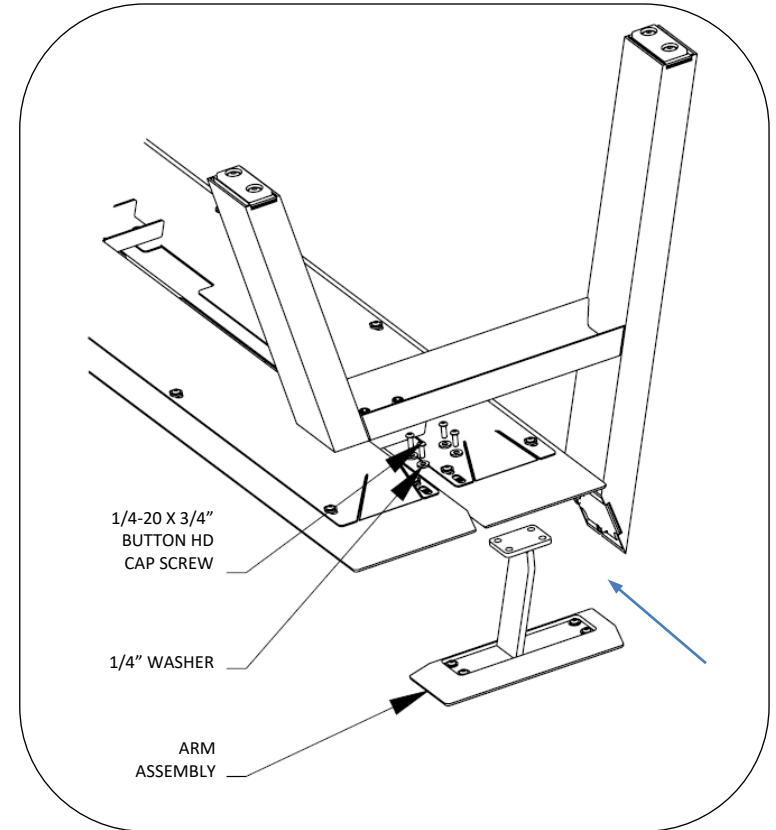


Fig. 2 – attach arm, if specified

ASSEMBLE WITH CARE! Pangard II® Polyester Powdercoat is a strong, long-lasting finish. To protect this finish during assembly, place unwrapped powdercoated parts on packaging foam or other non-marring surface. Do not place or slide powdercoated parts on concrete or other hard or textured surface – this will damage the finish causing rust to occur. Use touch-up paint on any gouges in the finish caused by assembly tools.

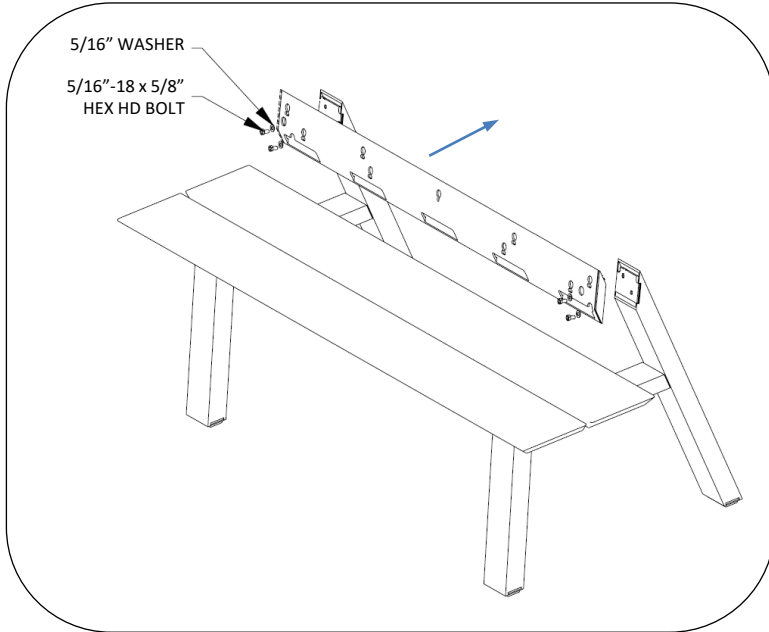


Fig. 3 – attach back brace to supports

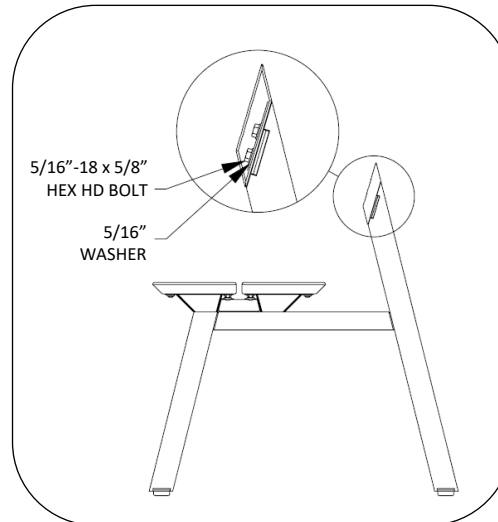


Fig. 4 – detail of hardware for back brace

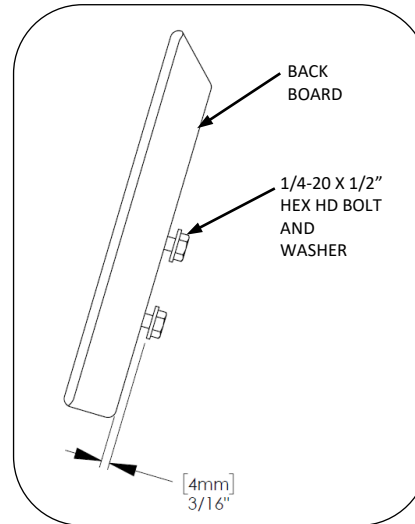


Fig. 5 – install screws on
back board

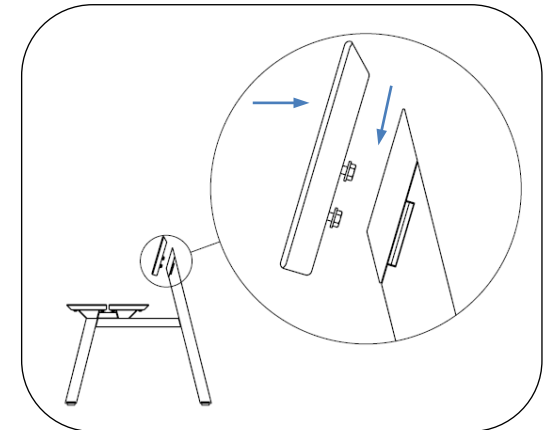


Fig. 6 – attach back board to brace