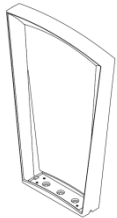


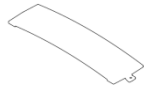


Bike Rack

Included components



1x - Frame



1x - Cover plate



1x - Set screw
1/4-20 x 1"



Embedded option:
2x - Threaded rod
5/8-11 x 3-1/2"
with thread patch

Tools Required

- Unit ships assembled
- 1/8" hex key
- 3/16" hex key
- Hammer drill with masonry bits
- For embedded mount option: chemical anchoring adhesive (Hilti HIT RE 500 or equivalent)
- For surface mount option: stainless steel anchoring hardware, (2) required per unit (not included). Landscape Forms, Inc. recommends maximum 1/2" dia bolt, with a minimum embedded depth of 3" (see Fig. 5. for bolt clearances).

WARNING! Unit must be anchored.

HANDLE WITH CARE! Emerson's finish can be scuffed by contact with tools, concrete, or other abrasive surfaces. Protect the finish from damage during installation. Use touch-up paint to repair any powder coat finish abrasions.

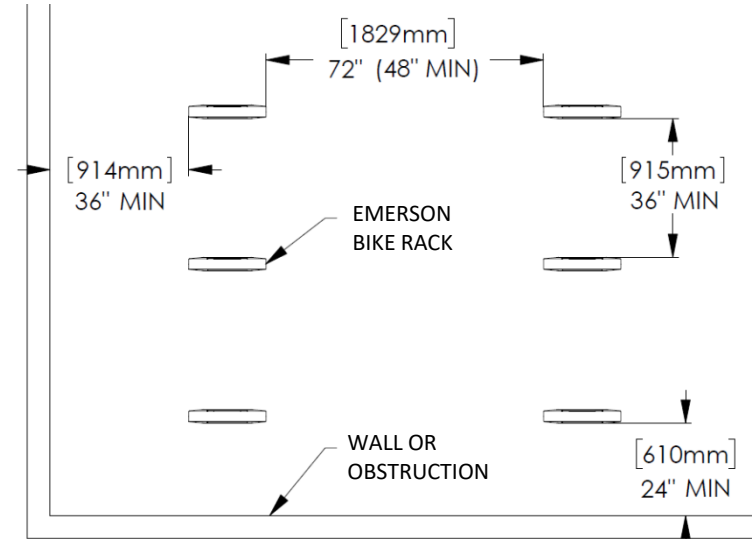


Fig. 1. - Recommended spacing, according to Association of Pedestrian and Bicycle Professionals (APBP)

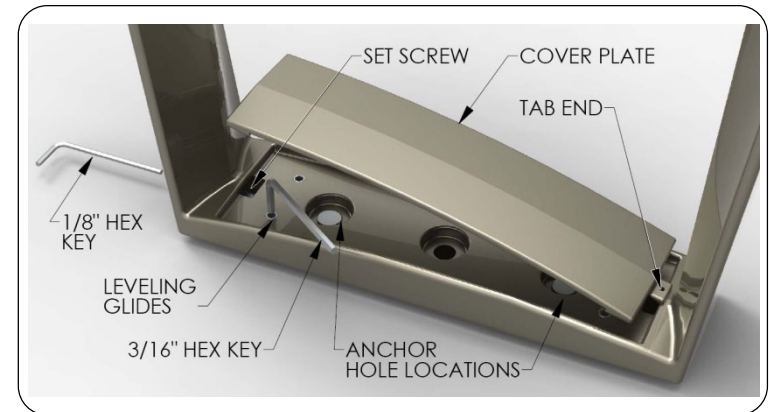


Fig. 2. - Component detail

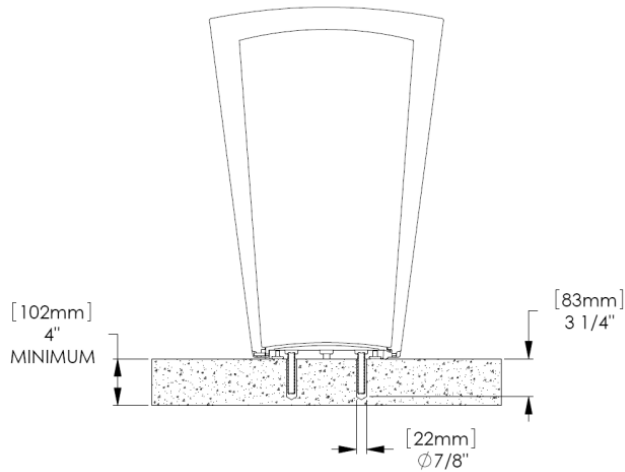


Fig. 3. – Hole size for embedded bike rack

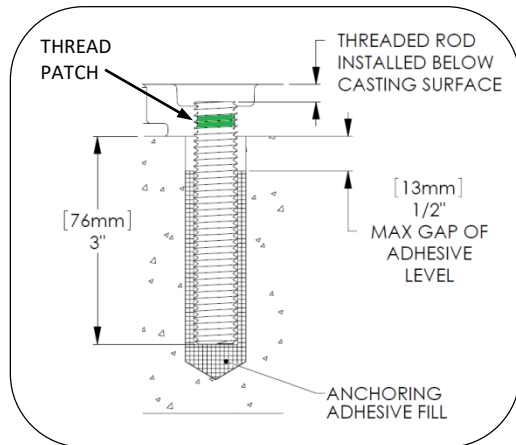


Fig. 4. – Install threaded rod

INSTALLATION PROCEDURE:

WARNING! Unit must be anchored.

1. Set bike rack in position. Using 3/16" hex key, adjust leveling glides until unit is plumb.
2. Mark hole locations. See Fig. 1 for recommended spacing.
3. Move bike rack and drill holes. Clear debris from holes.

FOR EMBEDDED MOUNT:

1. Thread anchor rods with thread patch into bike rack as shown in Fig. 4.
2. Fill holes with adhesive to level shown in Fig. 4.
3. Set unit in place and wipe away excess adhesive.
4. After adhesive has fully cured to manufacturer's recommendation, turn all four leveling glides equally until tight to remove any excess movement of the bike rack.

FOR SURFACE MOUNT:

1. Set unit in place and install anchor bolts (not supplied by Landscape Forms) according to anchor manufacturer's instructions.
2. Turn all four leveling glides equally until tight to remove any excess movement of the bike rack.

FOR COVER PLATE INSTALLATION:

1. Install cover plate by inserting tab end into casting frame.
2. Using 1/8" hex key, install 1/4-20 set screw in opposite end of cover plate, through the casting frame.
3. Tighten set screw until cover plate is secure. **Warning!** Do not over tighten the set screw, which can cause the cover plate to deform.

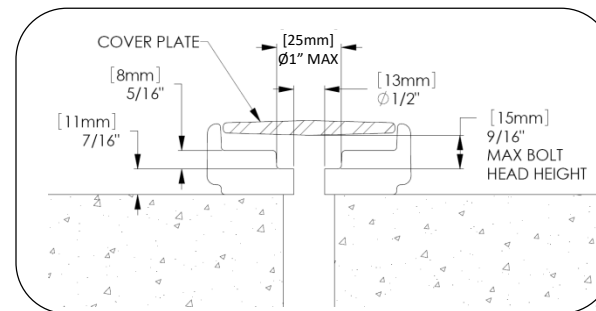


Fig. 5. – Anchor hole clearance for surface mount