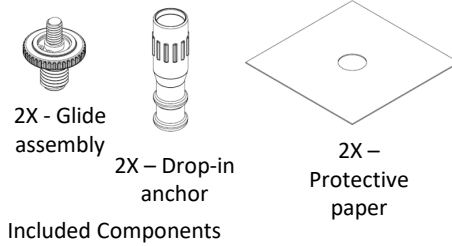


Surface mount dining table



Included Components

Included Components

- (1) Table assembly, with four freestanding glides installed
- (1) Surface mount anchor kit: (2) each glide assembly and drop-in anchors
- (1) ¼-20 x 3-1/2" pan head screw, ¼-20 lock nut, ¼" washer for securing umbrella to table

For umbrella option: Any Landscape Forms' umbrella secures directly to table support. Additional umbrella surface mount stand is not required for use with tables. When used with an umbrella hole, the table must be surface mounted.

Tabletop Assembly:

1. Set unit in position.
2. Mark two hole locations, at 180 degrees apart. See Fig. 1.
3. Move unit.
4. Drill holes as noted in Fig. 2. Clear holes of debris per epoxy manufacturer's recommendations.
5. Install surface mount anchors into table legs as shown in Fig. 3. Use a flathead screwdriver as shown to tighten glide assembly into table leg.
6. Attach drop-in anchor to glide as shown in Fig. 4.
7. Test fit table into position before installing epoxy. Make any adjustments as necessary to allow drop-in anchors to freely install. Drop-in anchor should sit centered in hole and not rest against the side of the drilled hole.
8. Fill anchor holes with epoxy per epoxy manufacturer's recommendations.
9. Set table in position.
10. Adjust glides so that all four glides make contact with grade.
11. Remove protective paper and wipe away any excess epoxy after epoxy has started to cure, but before it is fully cured.

Tools Required

- Safety glasses
- Masonry drill with 1" diameter bit
- Compressed air and wire brush
- Flat head screwdriver
- Epoxy anchoring system for concrete

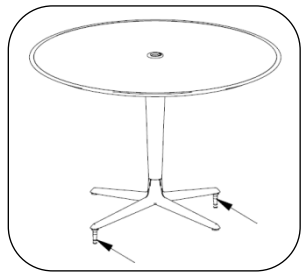


Fig. 1 – anchor locations

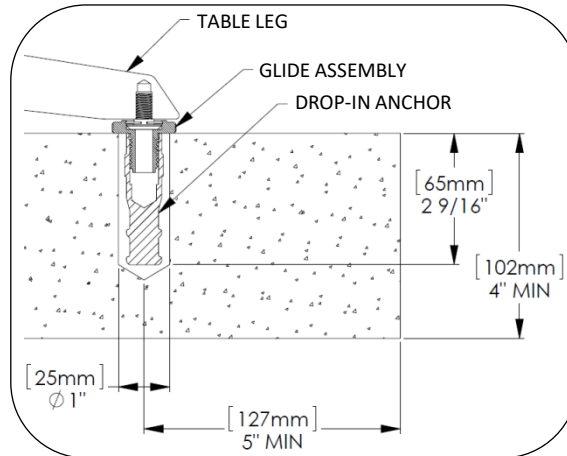


Fig. 2 – anchor hole size

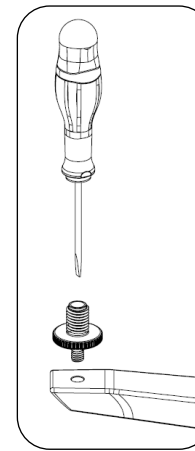


Fig. 3 – install glide assembly

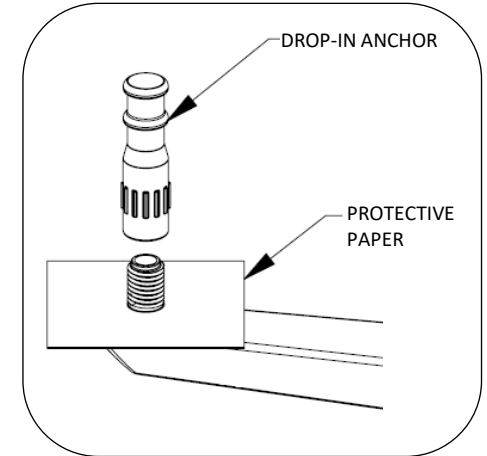


Fig. 4 – attach drop-in anchor

ASSEMBLE WITH CARE! Pangard II® Polyester Powdercoat is a strong, long-lasting finish. To protect this finish during assembly, place unwrapped powdercoated parts on packaging foam or other non-marring surface. Do not place or slide powdercoated parts on concrete or other hard or textured surface – this will damage the finish causing rust to occur. Use touch-up paint on any gouges in the finish caused by assembly tools.