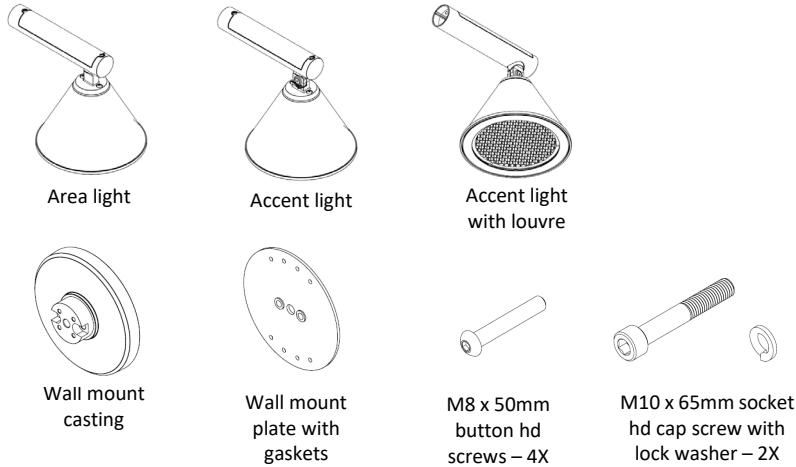


Included components:



Tools Required for installation:

- Safety glasses
- Level
- (4) wall mount anchors, max $\varnothing 1/4"$, with max head height (bolt and washer) of $7/16"$.
- flat head screwdriver
- Hex keys/drivers:
 - 4mm for arm cover plate
 - 5mm for arm to clamp attachment
 - 6mm for adjusting tilt rotation on Accent luminaire
 - 8mm for wall mount casting install
- Wiring tools and connectors
- Dimming control, if required
- Standard single gang junction box, installed (not included)
- Silicone sealer

WARNING! Installer must provide strain relief to line-in wires where they connect to light fixture wires. Failure to do so may cause electrical failure and will void warranty.

WARNING!: LED cartridge and driver are not rated for connection or disconnection while energized. Doing so may damage LEDs and will void the warranty. Disconnect incoming power before making or breaking any electrical connections.

INSTALLATION PROCEDURE:

Note: The wall mount plate is designed to work with a standard single gang junction box, supplied by installer. The outside face of the box should be flush or slightly recessed with the wall.

1. Run line-in voltage wiring and optional dimming wires to junction box (not included).
2. Place wall mount plate in position over junction box and mark hole locations. Plate should be anchored using at least two holes at the top and at least two holes at the bottom. Anchors are the responsibility of the installer. Wall mount plate has (8) $\varnothing 9/32$ holes for anchoring. Plate is 0.18" thick, with trim ring gasket installed on front side and rectangular gasket installed on back side, see Fig. 1.
3. Move wall mount plate and drill holes per anchor manufacturer's recommendations.
4. Apply a bead of silicone to back of bracket plate as shown in Fig. 1A as needed to ensure the plate seals to the single-gang box and the wall.
5. Attach plate to wall with anchors. Plate should be installed so rivet nuts extend inside junction box. Pull line-in voltage wiring and optional dimming wires through access hole in wall mount plate. Height of anchor head and washer should not exceed $7/16"$ to allow for fit of wall mount casting.
6. Pull line-in voltage wiring and optional dimming wires through access hole in casting. Attach wall mount casting to wall mount plate, see Fig. 2.
7. Remove luminaire arm cover plate, see Fig. 3. Set hardware aside. Driver components are attached to cover plate, leave installed.
8. Attach luminaire arm to the wall mount casting, see Fig. 4.
9. Connect line-in voltage wiring to wago block, see Fig. 5.
10. Make optional dimming wire connections inside luminaire arm. Wiring connectors are not included.

To adjust twist rotation: Note, luminaire ships installed with front of light distribution at 0deg. Leave Front sticker on luminaire hood until assembly is complete.

1. With arm cover plate removed, disconnect lanyard and wiring to wago block at the luminaire hood, see Fig. 6, to allow access for socket to fit over nut.
2. Loosen the nut enough to allow rotation of the luminaire hood. Do not remove nut. Indicators on arm, see Fig. 7, are shown in 15deg increments for reference. Rotate luminaire to desired location and tighten nut to 75 ft-lbs when in position.
3. Reconnect lanyard and wiring to wago block from luminaire.
4. Reinstall luminaire arm cover plate.

To adjust tilt rotation: (for accent lights only)

1. Loosen bolt, see Fig. 8, until gears are free to rotate. Do not remove bolt. Rotate as needed. Gears are set at 10deg increments. Once luminaire is in correct position, tighten bolt.

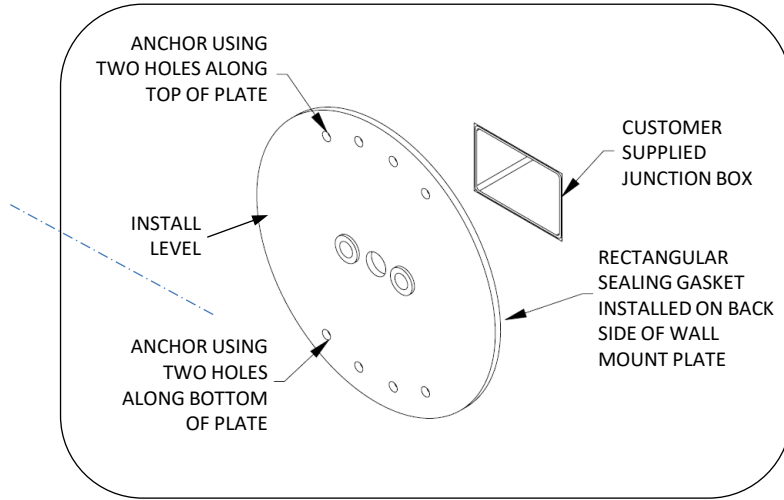


Fig. 1 – INSTALL WALL MOUNT PLATE

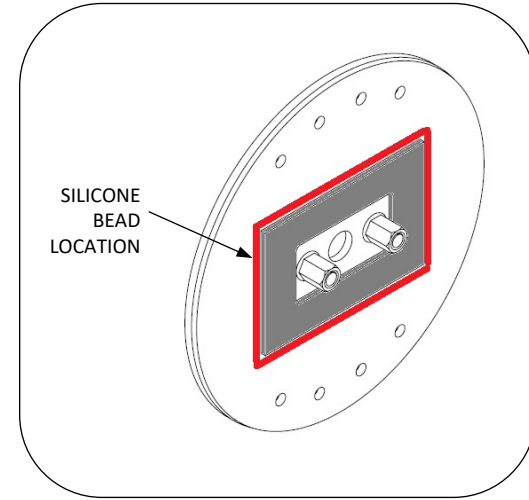


Fig. 1A – SILICONE BEAD, IF REQUIRED

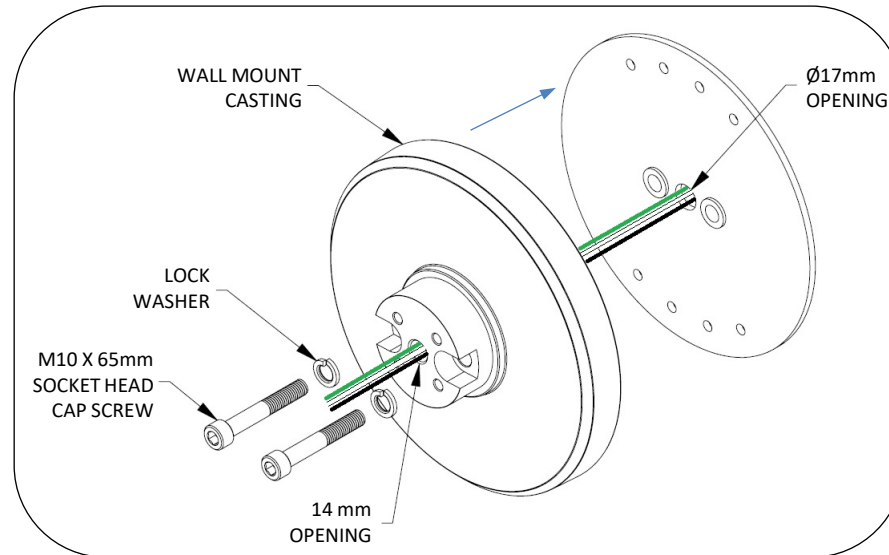


Fig. 2 – INSTALL WALL MOUNT CASTING

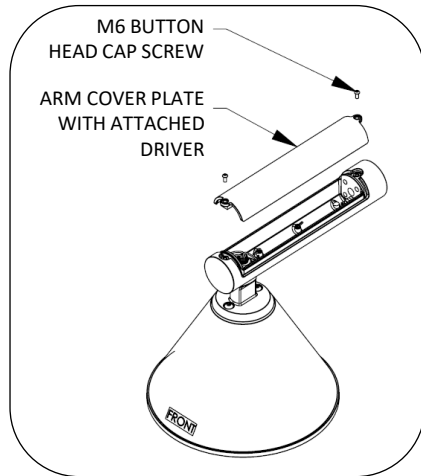


Fig. 3 – REMOVE ARM COVER PLATE

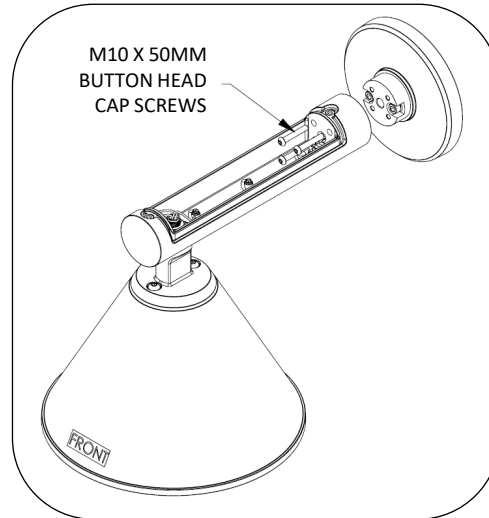


Fig. 4 – ATTACH ARM TO CASTING

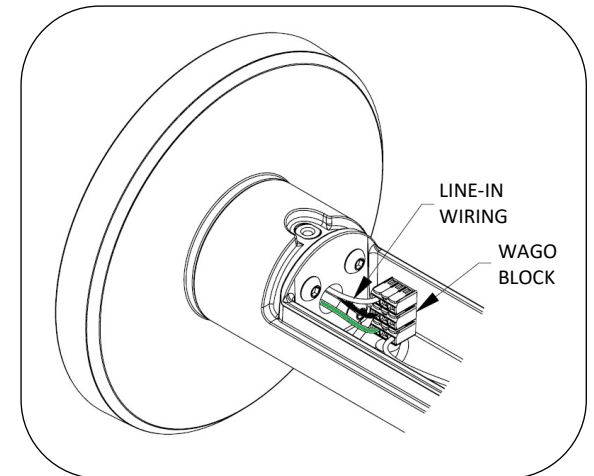


Fig. 5 – CONNECT LINE-IN WIRING

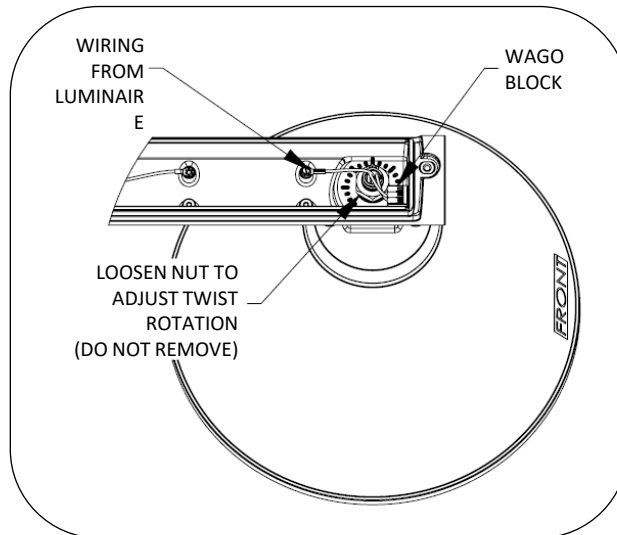


Fig. 6 – ADJUST TWIST ROTATION (AREA AND ACCENT LUMINAIRES)

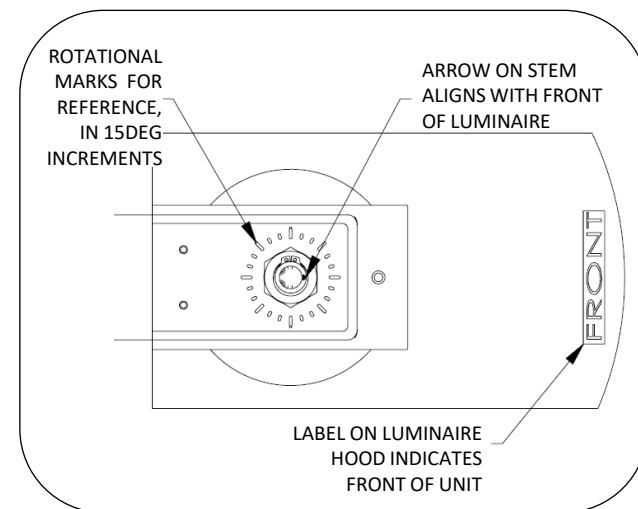


Fig. 7 – ADJUST TWIST ROTATION (AREA AND ACCENT LUMINAIRES)

PROCEDURE FOR WIRING MOMENT:

The luminaire is assembled at the factory. The light cartridge is mounted into the head of the luminaire and will not need to be removed during installation. The LED cartridge is wired to the driver (located in the arm bracket) at the factory. Use of LED drivers other than the supplied unit is not recommended and will void the warranty.

The wiring schematics are to be used to connect the unit to line voltage. It is the responsibility of the installer to make sure that all connections are made in accordance with the NEC and local building codes. Connection hardware not included.

Line-in wires should be connected to the wago connectors as shown. Optional dimming control is not included.

WARNING!: LED cartridge and driver are not rated for connection or disconnection while energized. Doing so may damage LEDs and will void the warranty. Disconnect incoming power before making or breaking any electrical connections.

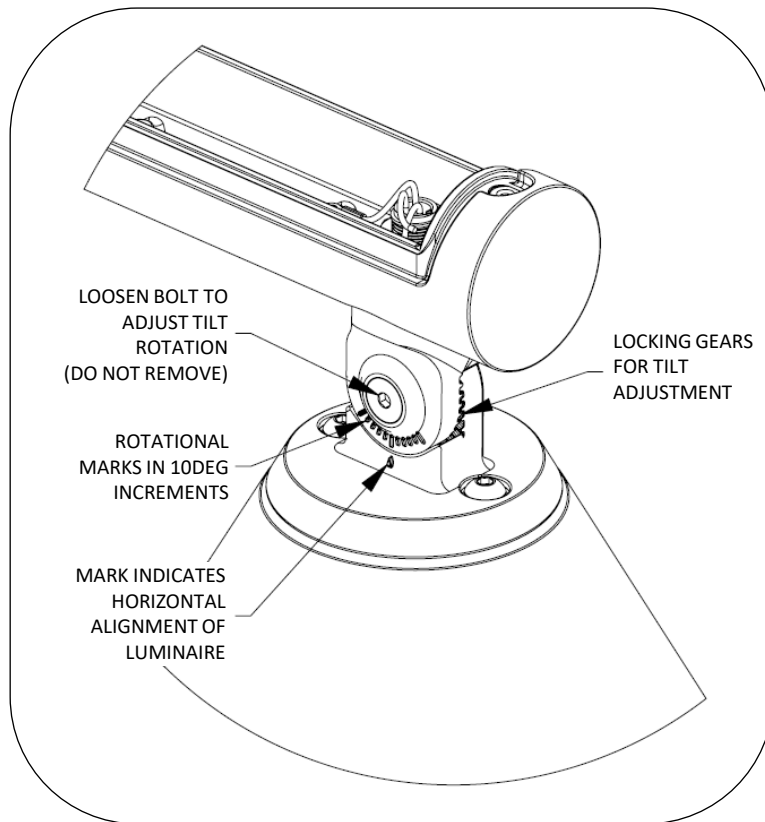
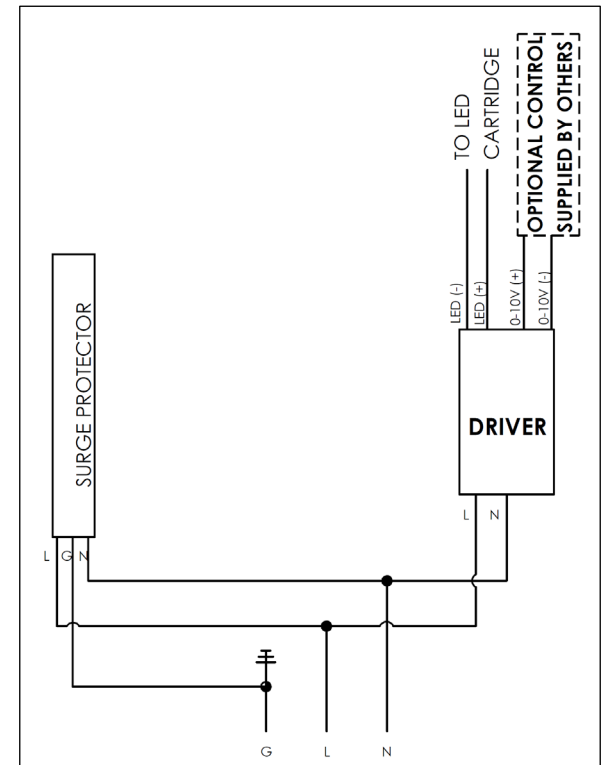


Fig. 8 – ADJUST TILT ROTATION (ACCENT LUMINAIRE ONLY)



WIRING DIAGRAM: Moment luminaire (all styles)