

Top Opening

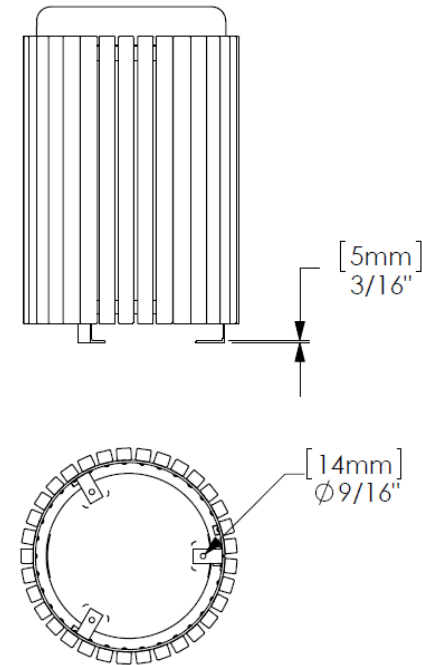
Side Opening

Tools Required

- Litter receptacle ships fully assembled. Freestanding unit can be set in place.
- Anchoring hardware for surface mount option. Three anchors, 3/8" diameter or less, are required per unit. The anchor tabs add 3/16" to the anchor length. The installer is responsible for anchoring hardware suitable for site conditions. Corrosion resistant anchors are recommended.

PROCEDURE FOR SURFACE MOUNT INSTALLATION:

1. Place the unit in the desired position. Verify that lid has enough clearance to lift up and swing out for emptying unit.
2. Mark hole locations through holes in anchor tabs.
3. Move the unit to allow access for drilling holes.
4. Drill holes at marked locations according to anchor manufacturer's specification.
5. Complete the anchor installation according to the anchor manufacturer's instructions.



ASSEMBLE WITH CARE! Pangard II® Polyester Powdercoat is a strong, long-lasting finish. To protect this finish during assembly, place unwrapped powdercoated parts on packaging foam or other non-marring surface. Do not place or slide powdercoated parts on concrete or other hard or textured surface – this will damage the finish causing rust to occur. Use touch-up paint on any gouges in the finish caused by assembly tools.