

Included components:

- Tabletop
- Table support
- Seats
- All 4, 5 and 6 seat surface mount units also have freestanding glides installed.
- Surface mount tabs are welded on all 2 and 3 seat units. These must be anchored.
- (4) 1/4-20 x 3/4" Phillips tapping screws for Catena or Steelhead tabletop
- (4) 1/4-20 x 5/8" Phillips machine screws with washers for Marneaux tabletop
- 3/8-16 x 3/4" set screw per seat (factory installed in seat stem)

Tools required:

- #3 Phillips screwdriver for attaching tabletop to support
- 3/16" hex key for installing seats

For Surface Mount units:

- Anchoring hardware not included for surface mount units. 2, 3 and 4 seat units require 4 anchor bolts. 5 seat unit requires 5 bolts. 6 seat unit requires 6 bolts.
- Hammer drill with 3/8" diameter carbide tipped drill bit
- Hammer
- Wrench

ASSEMBLE WITH CARE! Pangard II® Polyester Powdercoat is a strong, long-lasting finish. To protect this finish during assembly, place unwrapped powdercoated parts on packaging foam or other non-marring surface. Do not place or slide powdercoated parts on concrete or other hard or textured surface – this will damage the finish causing rust to occur. Use touch-up paint on any gouges in the finish caused by assembly tools.

WARNING! TABLES WITH AN UMBRELLA MUST BE FASTENED SECURELY TO HARD SURFACING TO PREVENT TIPPING DUE TO WIND.

PROCEDURE FOR TABLETOP and SEAT INSTALLATION:

1. Lay tabletop upside down on a non-marring surface.
2. Place table support upside down on tabletop. Center support on top and align holes in support plate to threaded holes in the tabletop.
3. Install hardware. Tighten all table top fasteners until snug, then tighten additional 1/4 turn. **[The use of power drivers is not recommended with Marneaux tabletops. Threaded inserts may be damaged or broken due to over-torquing.]**
4. Turn table unit right side up, using at least 2 people.
5. Place stem on seat bottom into tube on table support. The pin in the stem fits into the groove inside the support tube. For backless seats, install with the head of the set screw closest to the table.
6. Turn set screw in until snug, then tighten an additional 1/4 turn.

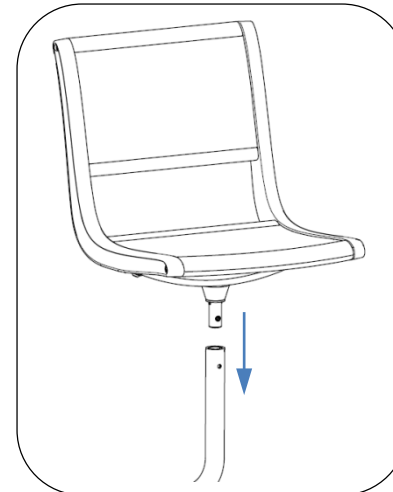


Fig. 1 – Install seat

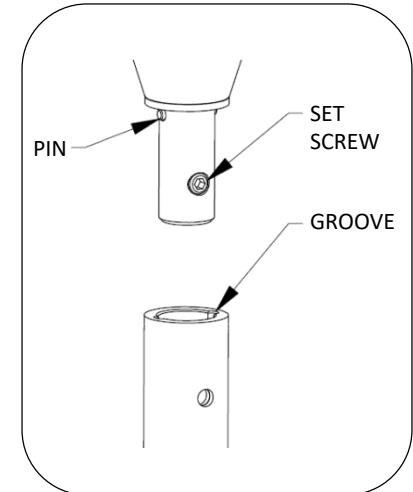


Fig. 2 – Seat stem detail

Mingle 2 and 3 seat units MUST BE ANCHORED. 4, 5 and 6 seat units specified with a non-collapsible umbrella MUST BE ANCHORED.

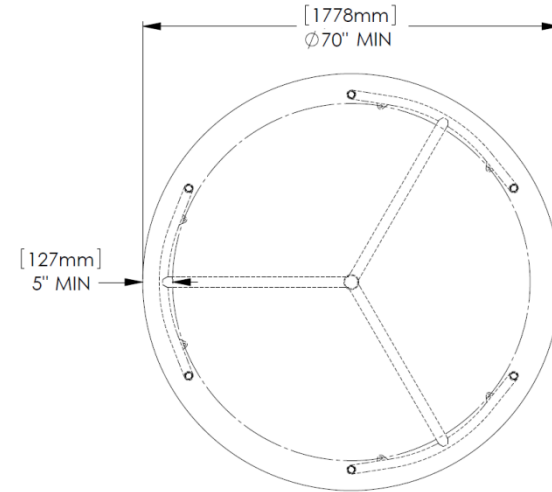
PROCEDURE FOR SURFACE MOUNT INSTALLATION:

Note: DO NOT DRAG unit across concrete or other rough surfaces. This could damage the powdercoat on the bottom of the surface mount plates. Minimum recommended concrete slab thickness is 3-1/2".

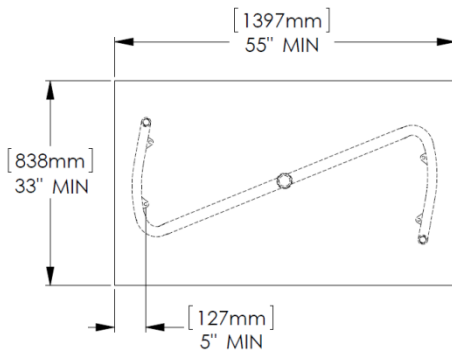
1. Place unit in desired position and mark anchor locations through holes provided in surface mount plates.
2. Move unit and drill holes.
3. Clear the holes of dust and debris using compressed air.
4. Place unit in desired position and install all of the anchors. After all anchors are installed, tighten as recommended by anchor manufacturer.
5. Periodically check fasteners and tighten if required.

PROCEDURE FOR UMBRELLA INSTALLATION:

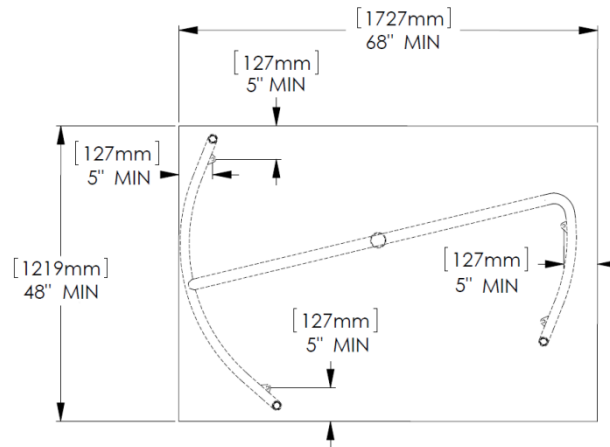
1. Insert umbrella grommet into hole in tabletop.
2. Install umbrella through hole in the grommet and into the table support tube.
3. Insert the 1/4-20 machine screw through hole in table support tube and secure with locknut.



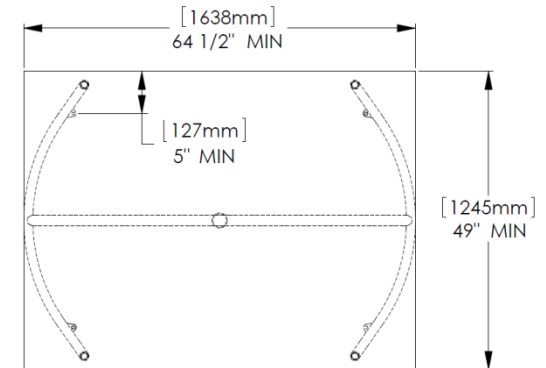
Recommended size for 3,4,5 or 6 seat unit



Recommended size for 2 seat unit



Minimum size for 3 seat unit



Minimum size for 4 seat unit