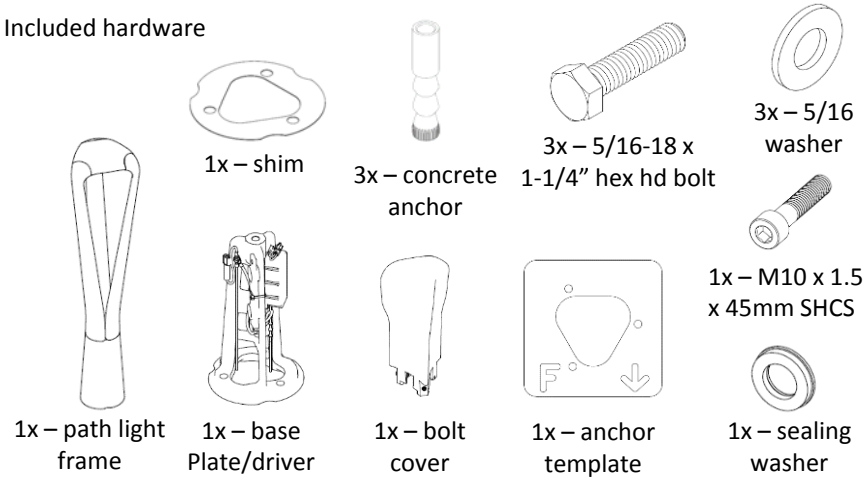




Surface Mount

Included hardware



Tools Required

- Safety glasses
- Screwdrivers
- Wiring tools and connectors
- 1/2" wrench or socket
- Hammer drill, with 1/2" dia bit
- 8mm hex key or , with min 10" extension
- 1.5mm hex key
- Epoxy anchoring system for concrete

**LIGHTING LAYOUT RECOMMENDATIONS:**

Light pole spacing is the responsibility of others. Refer to the FGP Path Light Product Data Sheet, available on [www.landscapeforms.com](http://www.landscapeforms.com), for light distribution options.

**ASSEMBLE WITH CARE!** Pangard II® Polyester Powdercoat is a strong, long-lasting finish. To protect this finish during assembly, place unwrapped powdercoated parts on packaging foam or other non-marring surface. Do not place or slide powdercoated parts on concrete or other hard or textured surface – this will damage the finish causing rust to occur. Use touch-up paint on any gouges in the finish caused by assembly tools.

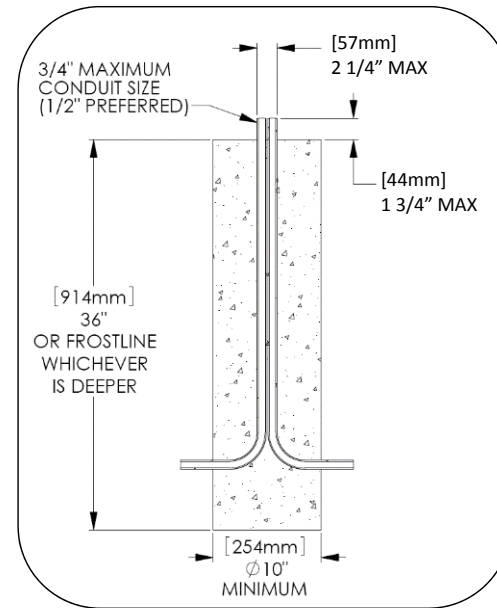


Fig. 1 – Minimum footing recommendation

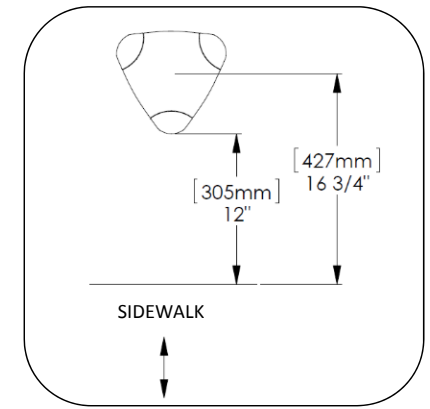


Fig. 2 – Recommended setback from sidewalk

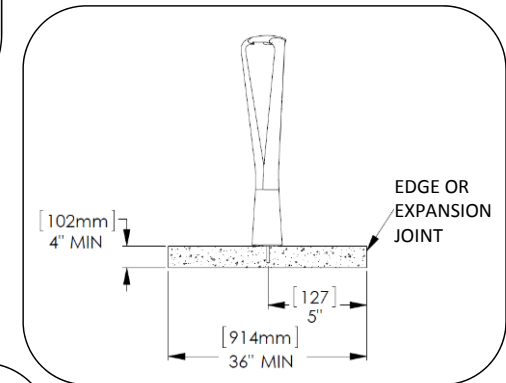


Fig. 3 – Minimum concrete slab size

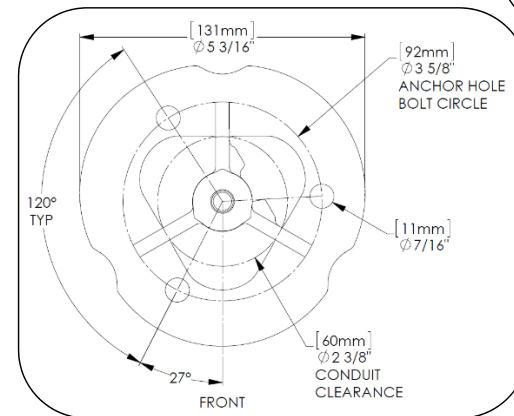


Fig. 4 – Base plate detail

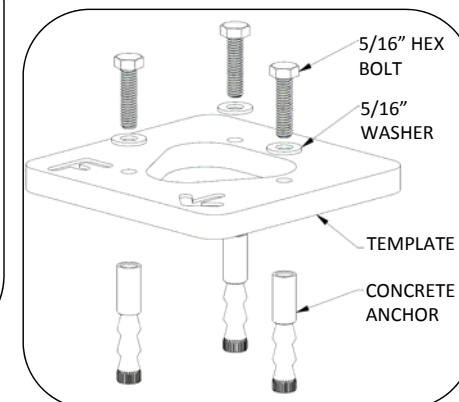


Fig. 5 – Assembly template and anchors

Landscape Forms is not responsible for site preparation and footings. Footing recommendations are included in these instructions.

**INSTALLATION PROCEDURE FOR PATH LIGHT:**

1. Prepare footing as required by local codes, see Fig. 1, Fig. 2 and Fig. 3 for recommendations.
2. Set wooden anchor template in position over conduit. The arrow and the 'F' on the template indicates the front of the unit.
3. Mark anchor hole locations and remove the template.
4. Drill holes according to anchor size and depth, see Fig. 6. Clear holes of debris.
5. Attach anchors to base plate template as shown in Fig. 5.
6. Test fit template assembly with anchors into position before installing epoxy. Make any adjustments as necessary to allow concrete anchors to freely install. Concrete anchor should sit centered in hole and not rest against the side of the drilled hole.
7. Add epoxy to anchor holes per epoxy manufacturer's recommendations.
8. Slowly set template assembly with anchors into position. Wipe away any excess epoxy before it cures.
9. Allow epoxy to fully cure. Remove hex bolts and washers. Remove wooden template.
10. Set shim and base plate with driver assembly over concrete anchors and attach using hex bolts and washers as shown in Fig. 6.
11. Make wiring connections between light body and driver plate.
12. Set light body over base plate, aligning front of body with front of base plate. Ensure wiring is not pinched or crimped.
13. Install the sealing washer and M10 socket head cap screw as shown in Fig. 8.
14. Install bolt cover and tighten all three set screws evenly, see Fig. 9.

**PROCEDURE FOR WIRING PATH LIGHT:**

The FGP path light is assembled at the factory. The light cartridge is mounted into the head of the pole and will not need to be removed during installation. Do not remove light cartridge or light body arms during installation.

The following schematic is to be used to connect the unit to line voltage. It is the responsibility of the installer to make sure that all connections are made in accordance with the NEC and local building codes. Connection hardware not included.

**INSTALLATION AND SERVICE SHOULD ONLY BE PERFORMED BY QUALIFIED PERSONNEL.**

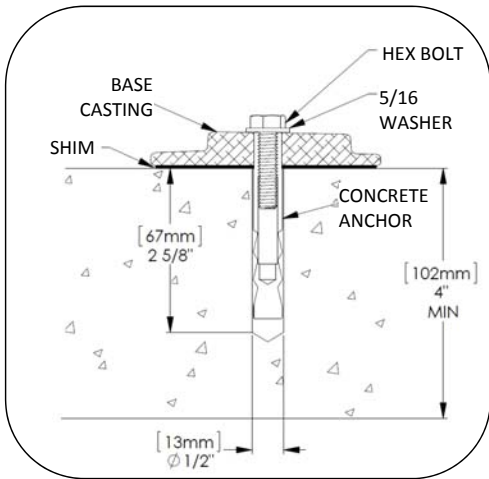


Fig. 6 – Anchor detail



Fig. 7 – base plate with driver



Fig. 8 – Install body over base plate (light pole arm removed for clarity)

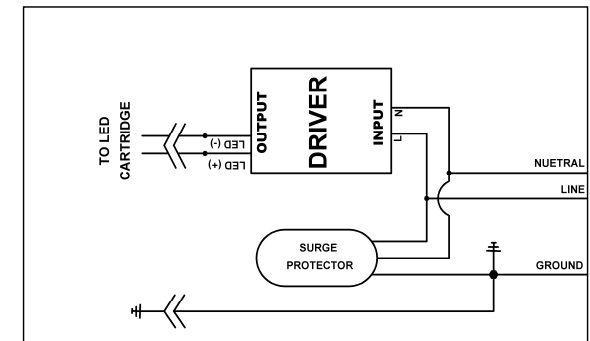


Fig. 10 – Path light wiring schematic

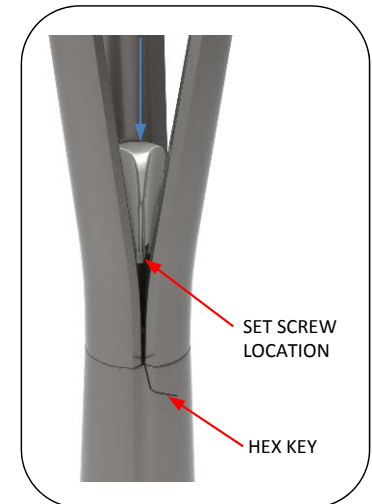


Fig. 9 – Install bolt cover