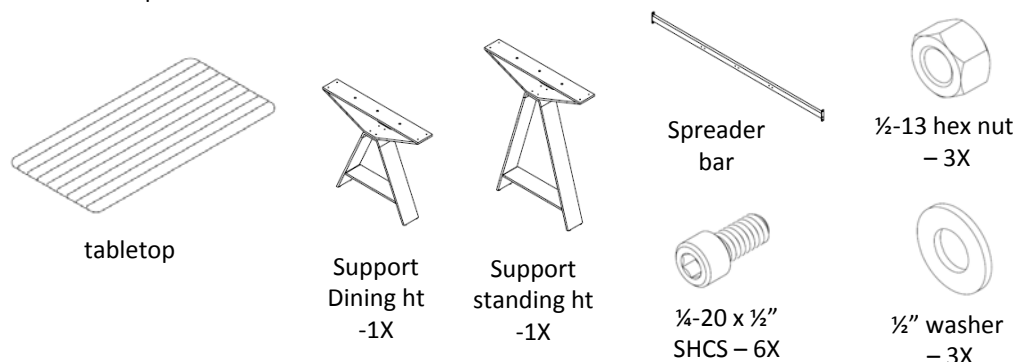


Included components:



Tools Required

- 3/16 hex key
- 3/4" wrench
- (4) #14 x 1" length self-tapping screws, zinc-plated (for securing to Upfit posts)

INSTALLATION:

Attach to Upfit post:

1. Attach spreader bar to tabletop using (6) 1/4-20 x 1/2" socket head cap screws, see Fig. 1.
2. Attach support leg to tabletop using (3) each 1/2-13 hex nuts and washers, see Fig. 2.
3. Move table assembly into position. Verify table is level and support leg is resting on the ground. Attach to Upfit posts using (4) #14 x 1" self-tapping screws (not included). Do not use stainless steel hardware to attach table to Upfit post.

ASSEMBLE WITH CARE! Pangard II® Polyester Powdercoat is a strong, long-lasting finish. To protect this finish during assembly, place unwrapped powdercoated parts on packaging foam or other non-marring surface. Do not place or slide powdercoated parts on concrete or other hard or textured surface – this will damage the finish causing rust to occur. Use touch-up paint on any gouges in the finish caused by assembly tools.

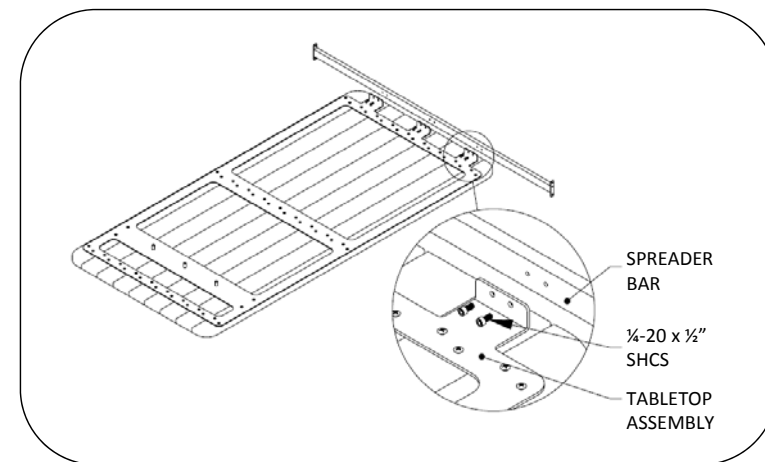


Fig. 1 – attach spreader bar to tabletop

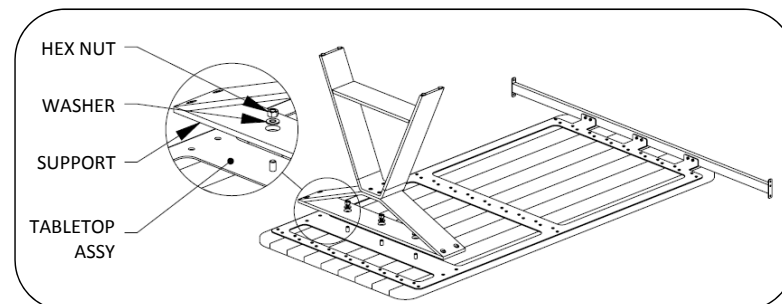


Fig. 2 – attach support to tabletop

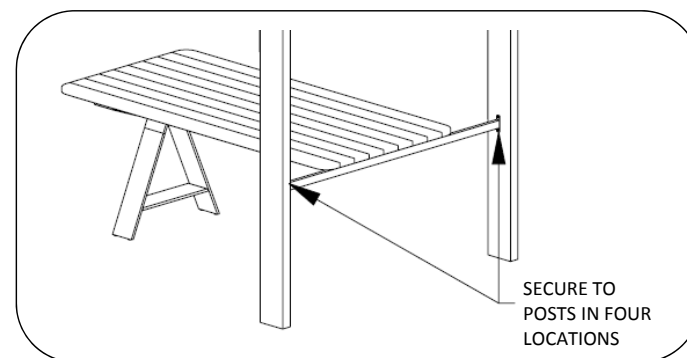


Fig. 3 – attach table assembly to Upfit posts