

Tools Required

- (8) #14 x 1" length self-tapping screws, zinc-plated (for securing to Upfit posts)

INSTALLATION:

Attach to Upfit post:

1. Move table assembly into position. Verify table is level.
2. Attach to Upfit posts using (8) #14 x 1" self-tapping screws (not included). Do not use stainless steel hardware to attach table to Upfit post.

***HEIGHT:**

Dining height: top of table should be mounted at 28"-30" height.
Counter height: top of table should be mounted at 34"-36" height
Standing (bar) height: top of table should be mounted at 40"-42" height

ASSEMBLE WITH CARE! Pangard II® Polyester Powdercoat is a strong, long-lasting finish. To protect this finish during assembly, place unwrapped powdercoated parts on packaging foam or other non-marring surface. Do not place or slide powdercoated parts on concrete or other hard or textured surface – this will damage the finish causing rust to occur. Use touch-up paint on any gouges in the finish caused by assembly tools.

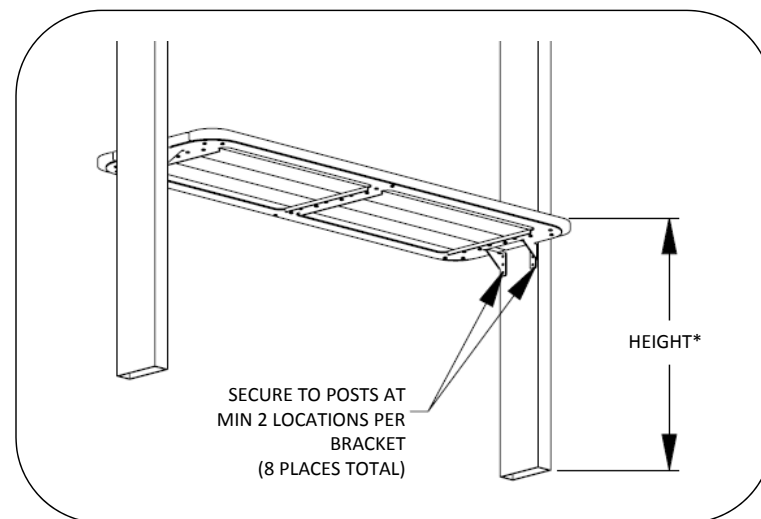


Fig. 1 – attach tabletop to posts

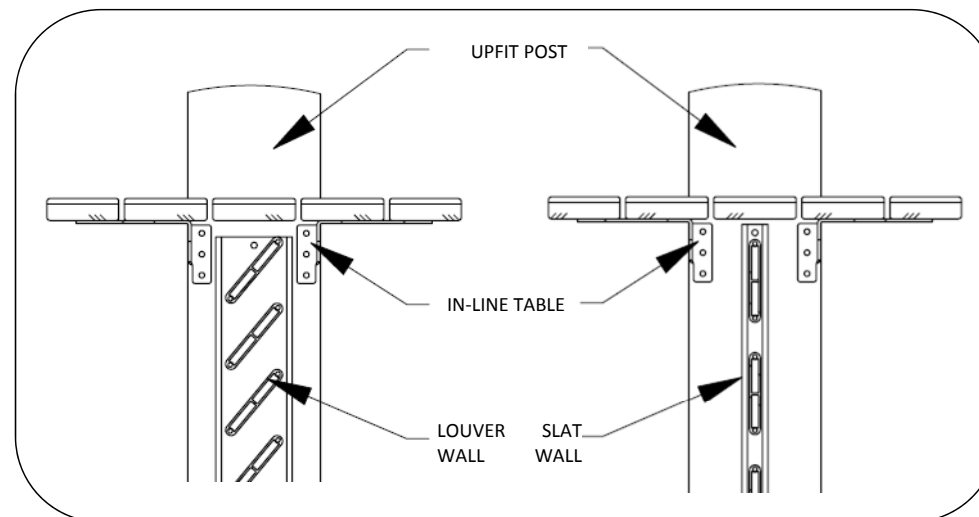


Fig. 2 – in-line table installed above Upfit wall panel