




Planter Sizes

Included components:

- Planters intended for exterior use should be specified with drain holes
- Planters intended for interior use should be specified without drain holes
- Drain holes are pre-drilled at the factory. They can be added on site, before installation, if needed. Refer to Product drawings for locations.
- Anchoring hardware included for surface mount units. Setting tool for drop-in anchor is included.

-  2x – Surface Mount anchor, with 1/2-13 thread
-  2x – Drop-in 1/2-13 screw anchor, Ø5/8" O.D. x 2" length, stainless steel
-  2x – 1/4-20 x 1/2" Set screw

Planter Size	Capacity
15"w x 15"d x 18"h	13 Gallons (1.7 ft ³)
** 15"w x 15"d x 30"h	19 Gallons (2.5 ft ³)
30"w x 30"d x 18"h	55 Gallons (7.3 ft ³)
30"w x 30"d x 30"h	89 Gallons (11.9 ft ³)
45"w x 45"d x 18"h	127 Gallons (17 ft ³)
45"w x 45"d x 30"h	211 Gallons (28.2 ft ³)
30"w x 15"d x 18"h	26 Gallons (3.5 ft ³)
** 30"w x 15"d x 30"h	40 Gallons (5.4 ft ³)
45"w x 15"d x 18"h	40 Gallons (5.4 ft ³)
** 45"w x 15"d x 30"h	62 Gallons (8.3 ft ³)
45"w x 30"d x 18"h	83 Gallons (11.1 ft ³)
45"w x 30"d x 30"h	137 Gallons (18.4 ft ³)

** These sizes must be surface mounted.

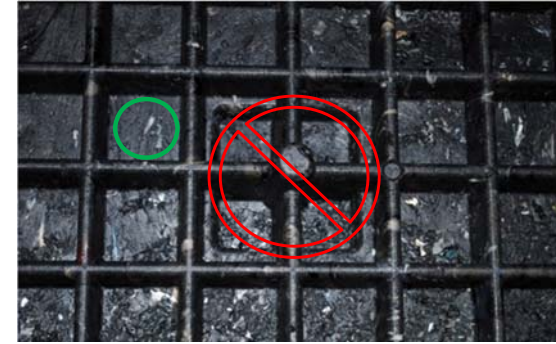
Surface Mount Hardware

- Tools required for surface mount installation:
- Hammer drill with 5/8" diameter masonry bits
 - Hammer
 - Slotted screwdriver

ASSEMBLE WITH CARE! Pangard II® Polyester Powdercoat is a strong, long-lasting finish. To protect this finish during assembly, place unwrapped powdercoated parts on packaging foam or other non-marring surface. Do not place or slide powdercoated parts on concrete or other hard or textured surface – this will damage the finish causing rust to occur. Use touch-up paint on any gouges in the finish caused by assembly tools.

A. PROCEDURE FOR FREESTANDING INSTALLATION:

1. Set unit in place on level surface.
2. Fill units with specified materials.



B. ADDING OPTIONAL DRAIN HOLES:

1. Drill 1/2" diameter holes in locations noted on Product Drawings.
2. Do not drill drain holes in any of the four squares surrounding the raised bosses.



Fig. C.1

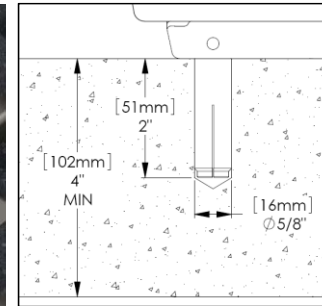


Fig. C.3

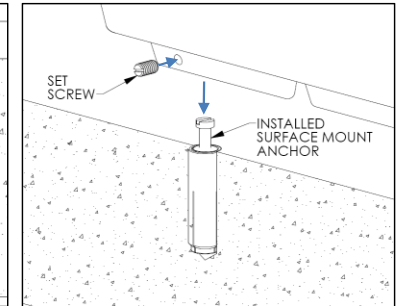


Fig. C.4

C. SURFACE MOUNT INSTALLATION PROCEDURE:

1. Turn planter upside down on non-marring surface. Thread surface mount anchors into each surface mount glide as shown in Fig. C.1.
2. Set planter in place. Trace surface mount bolt heads to mark hole locations. Remove surface mount anchors from planter.
3. Move planter and drill holes as shown in Fig. C.3. Clear holes of debris.
4. Install drop-in anchor as shown in Fig. C.4. Ensure top of anchor is flush or slightly below concrete surface. Expand with setting tool.
5. Thread surface mount anchors into drop-in anchor sleeves as shown in Fig. C.4
6. Set planters in place over surface mount anchors.
7. Thread set screws into sides of surface mount glides as shown in Fig. C.4