



Included components: No assembly required

Tools required:

- Proper heavy equipment to move 2297 lbs.
- Non-marring straps

INSTALLATION:

1. Determine placement of planter. Determine orientation of planter – two options available, see Fig 1. Planter is open on both ends.
2. Set in place with proper equipment such as a crane. See Fig. 2. Use three straps if using a crane.
3. Capacity of planter is 528 gallons (2000L)

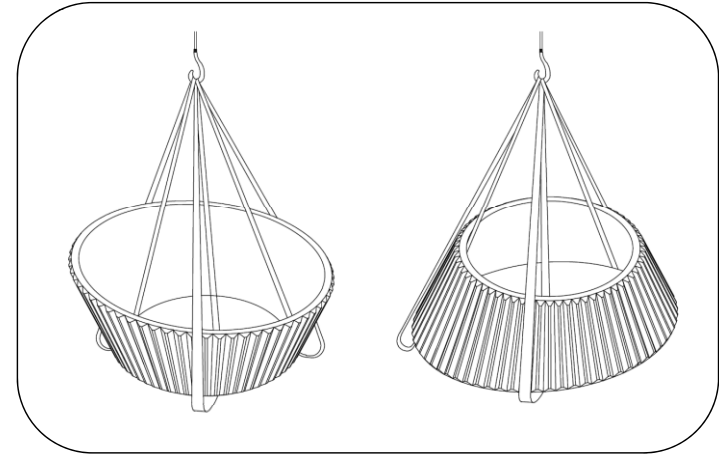


Fig. 2 – Crane install – strap locations

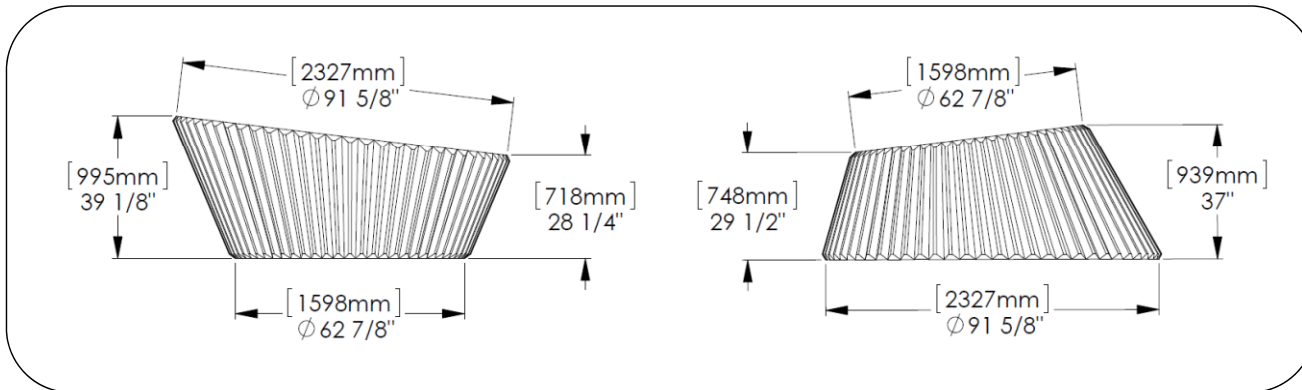


Fig. 1 – Planter installation options