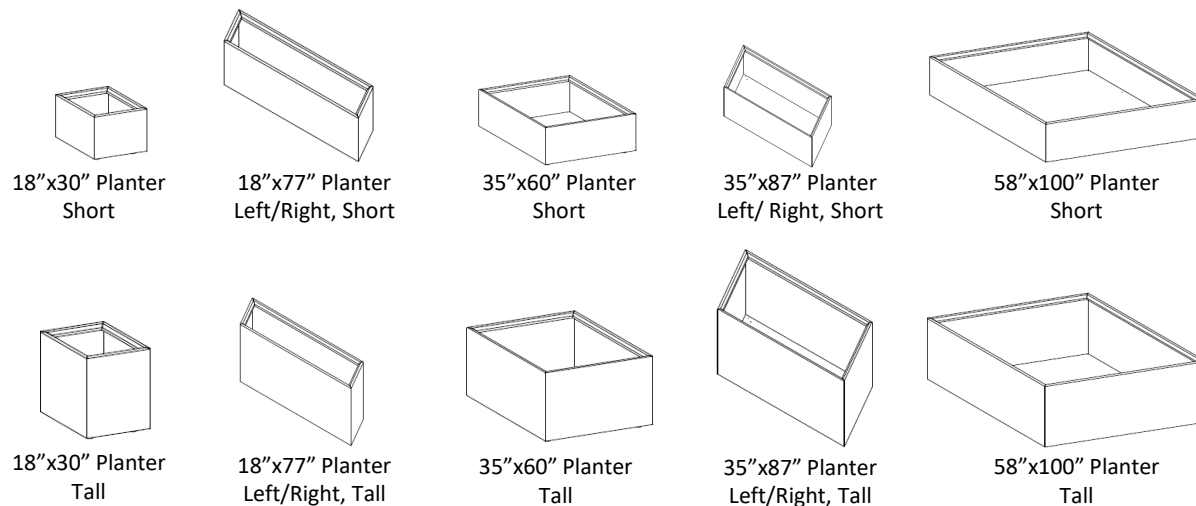


Parallel 42 | Planter

Installation Guide



OPTIONAL DRAIN HOLES:

1. Specific hardware may be removed on bottom of planter to allow for drainage. Refer to Fig. 1 for locations. Do not remove any other hardware on planter. Using a 3/8" box wrench or socket wrench, remove the flange hex bolt, and sealing washer before filling planter. Drain hole will be a 1/4-20 threaded hole. There are four (4) drain holes for each planter.

Tools Required

- Unit ships assembled
- 3/8" wrench/socket for adding drain holes

Planter Size	Capacity
18"x30" Planter Short	28gal (0.32ft ³)
18"x30" Planter Tall	44gal (0.49ft ³)
18"x77" Planter Left/Right, Short	95gal (0.1.06ft ³)
18"x77" Planter Left/Right, Tall	148gal (0.1.65ft ³)
35"x60" Planter Short	116gal (1.30ft ³)
35"x60" Planter Tall	182gal (2.03ft ³)
35"x87" Planter Left/ Right, Short	192gal (2.14ft ³)
35"x87" Planter Left/ Right, Tall	301gal (3.35ft ³)
58"x100" Planter Short	318gal (3.54ft ³)
58"x100" Planter Tall	497gal (5.54ft ³)

ASSEMBLE WITH CARE! Pangard II® Polyester Powdercoat is a strong, long-lasting finish. To protect this finish during assembly, place unwrapped powdercoated parts on packaging foam or other non-marring surface. Do not place or slide powdercoated parts on concrete or other hard or textured surface – this will damage the finish causing rust to occur. Use touch-up paint on any gouges in the finish caused by assembly tools.

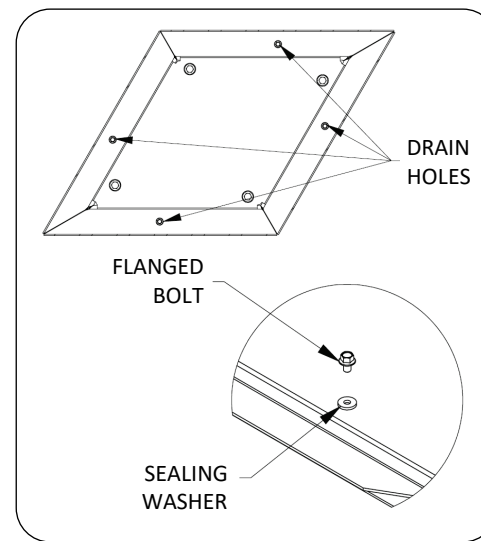


Fig. 1