

Units include (2) M12 x 16mm bolts for anchoring.
Units must be anchored

Tools Required:

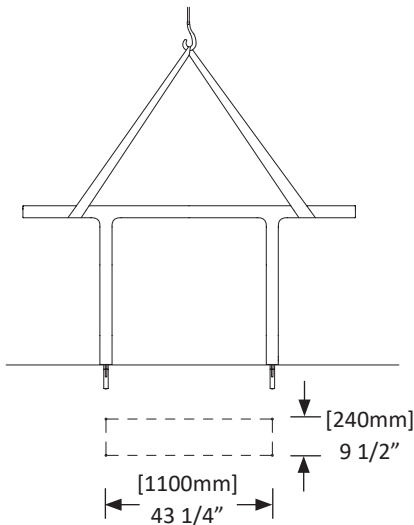
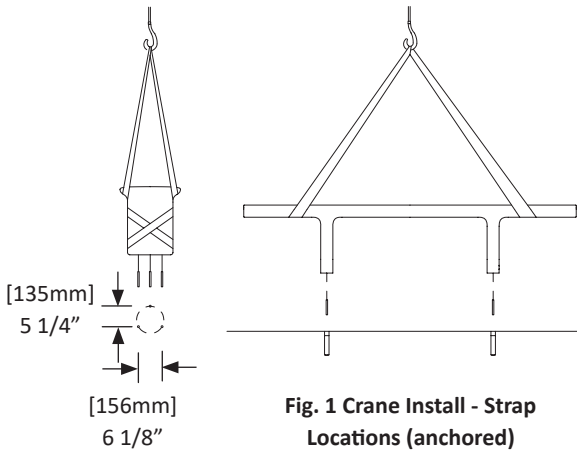
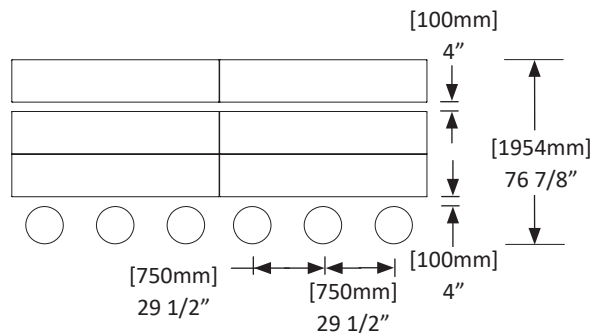
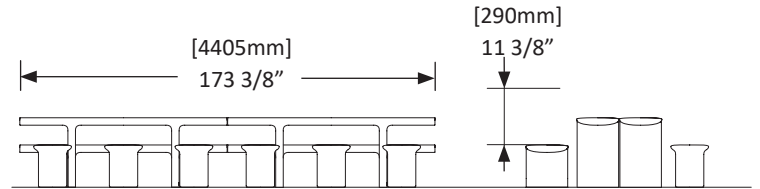
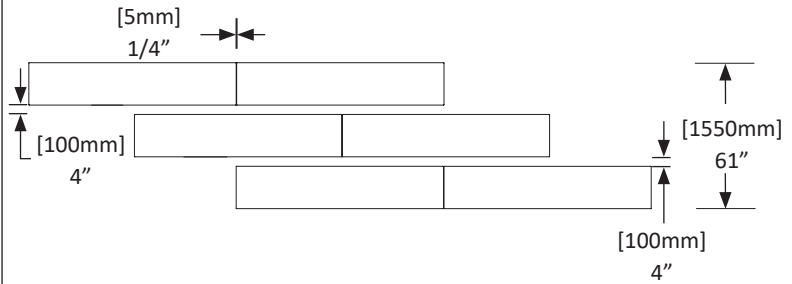
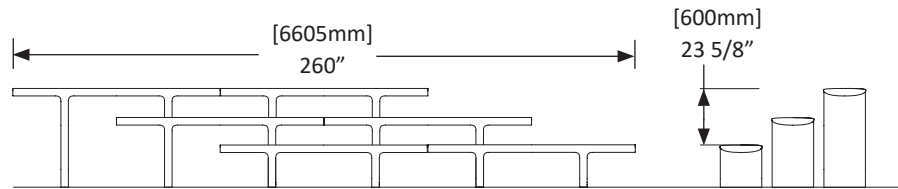
- Crane or proper equipment to move 185 lbs to 661 lbs
- Non-Marring Straps
- Wrench, 24mm
- Chemical Anchoring Adhesive
- Hammer drill with Ø30 dia x 180 masonry drill bit

NOTE: Items will deliver on pallets in closed freight containers. Appropriate equipment will be required to offload from a closed container. Flatbed delivery is possible upon request and for an additional charge. Strapping is indicated as a method of placing the item on the project site.

Installation (must be anchored)

1. Determine placement of Bench.
2. Set in place with proper equipment such as a crane. See Fig. 1
2. Mark hole locations.
3. Drill holes according to Fig. 2.
4. Lift unit and install M12 x 16mm bolts (Qty 2). Thread in until tight.
5. Fill holes with chemical anchoring adhesive
6. Lower unit over holes.
7. Caulk around entire bench foot bottom of the bench.

Configurations



Bench

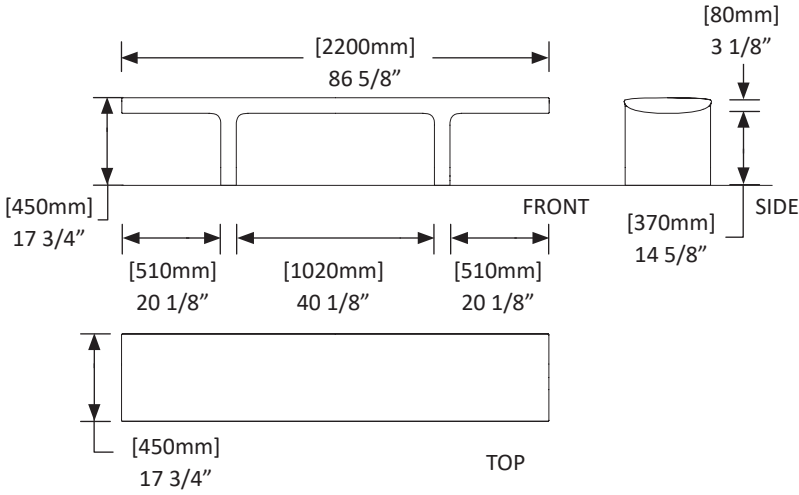
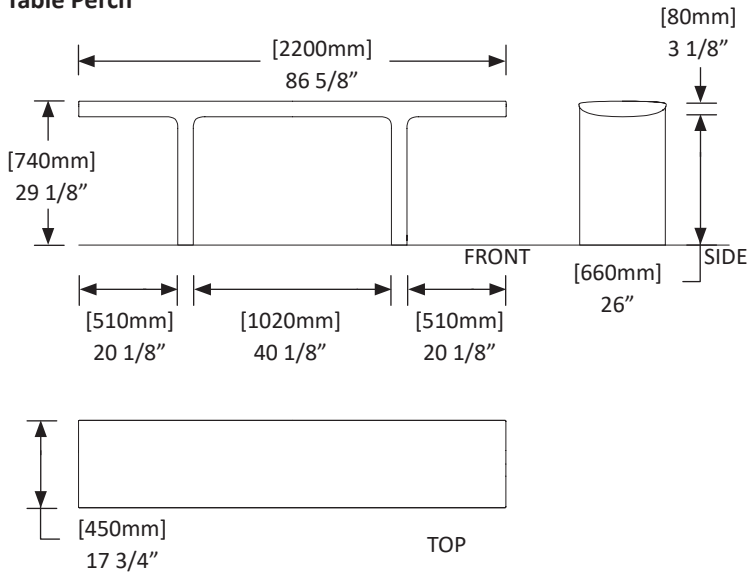
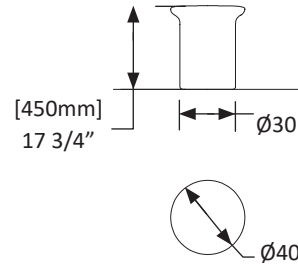


Table Perch



Stool



High Table

