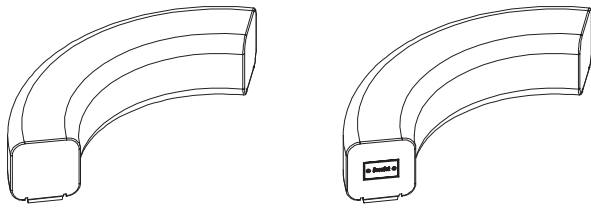


SERP 1 - R100



Tools Required:

- Crane or proper equipment to move 2411 lbs. to 3276 lbs. according to the size of bench.
- Non-Marring Straps

NOTE: Items will deliver on pallets in closed freight containers. Appropriate equipment will be required to offload from a closed container.

Flatbed delivery is possible upon request and for an additional charge.

Strapping is indicated as a method of placing the item on the project site.

Installation

1. Determine placement of Bench.
2. Set in place with proper equipment such as a crane. See Fig. 1

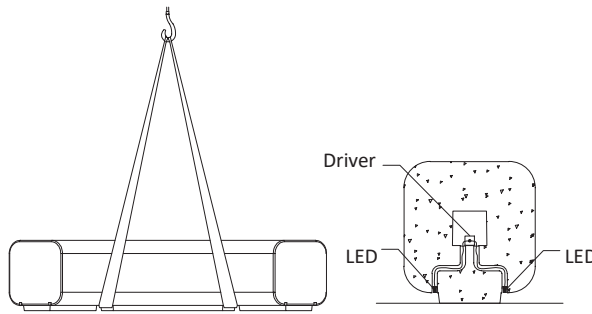
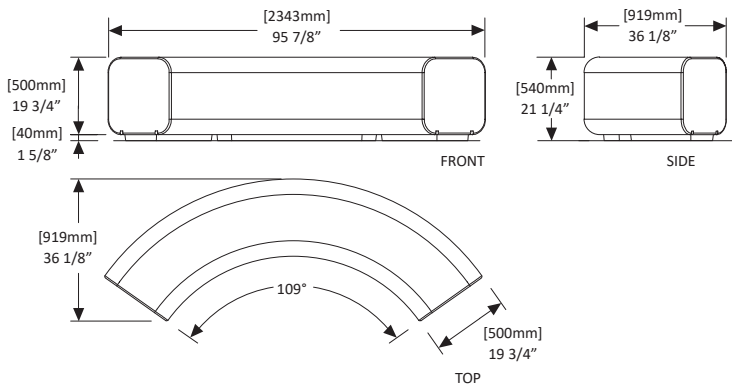


Fig. 1 - Free-standing backless bench

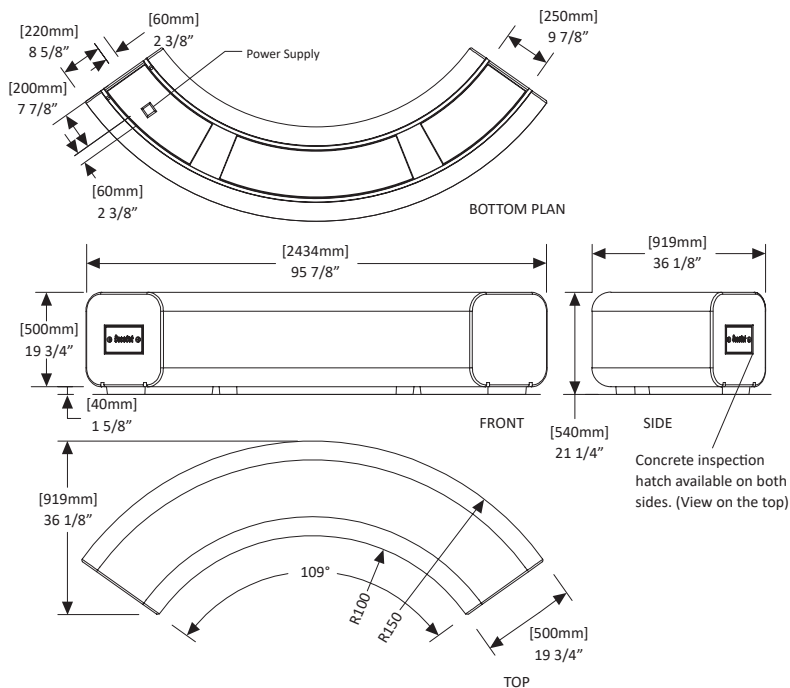
Electrical box section

LED	
Operating voltage	24V
Power	8W/m
Color temperature	6000K
Degree of protection	IP67

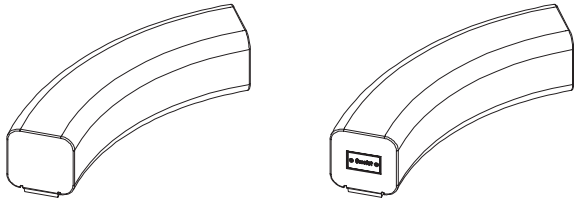
Serp R100



Serp R100 LED



SERP 2 - R185



Installation

1. Determine placement of Bench.
2. Set in place with proper equipment such as a crane. See Fig. 1

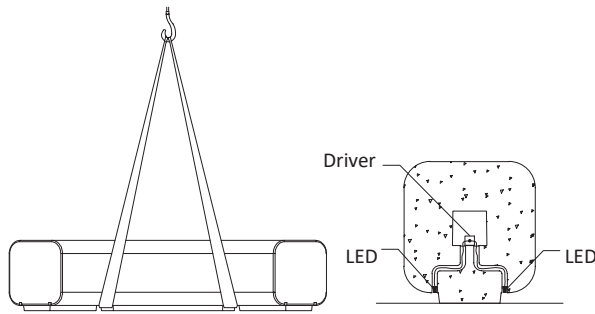


Fig. 1 - Free-standing backless bench

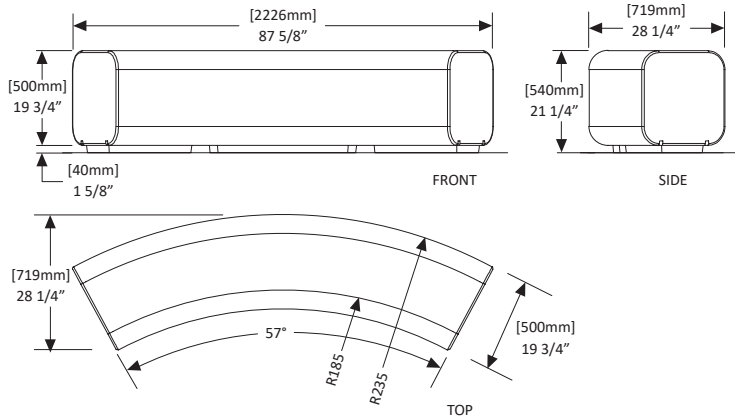
Electrical box section

LED	
Operating voltage	24V
Power	8W/m
Color temperature	6000K
Degree of protection	IP67

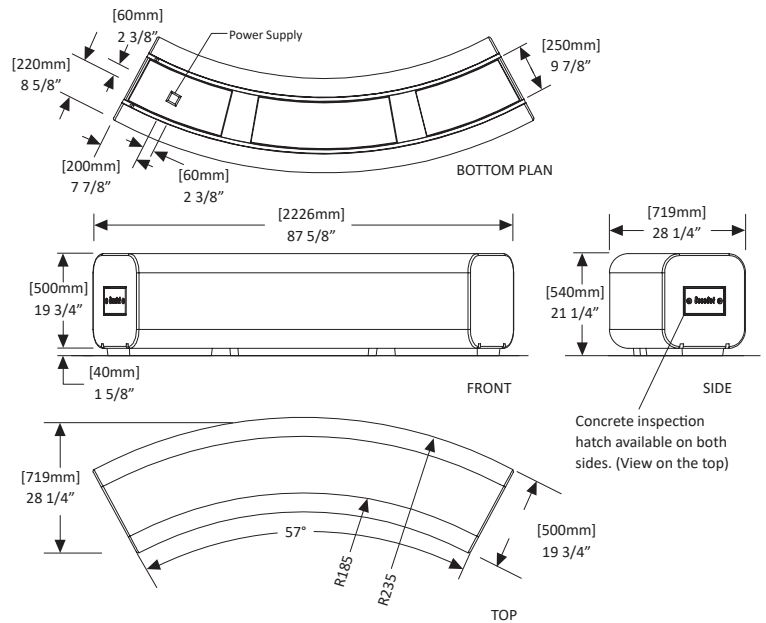
Tools Required:

- Crane or proper equipment to move 2411 lbs. to 3276 lbs. according to the size of bench.
- Non-Marring Straps

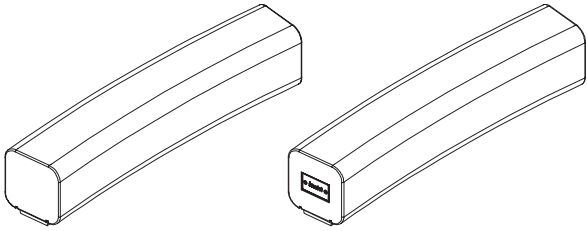
Serp R185



Serp R185 LED



SERP 3 - R1185



Tools Required:

- Crane or proper equipment to move 2411 lbs. to 3276 lbs. according to the size of bench.
- Non-Marring Straps

Installation

1. Determine placement of Bench.
2. Set in place with proper equipment such as a crane. See Fig. 1

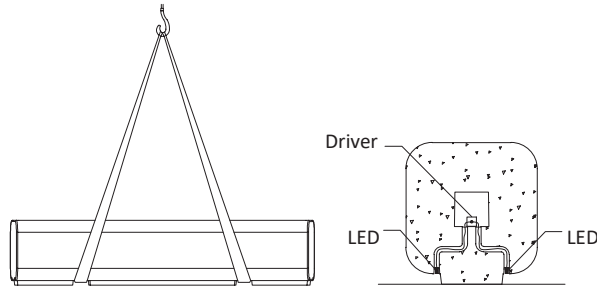
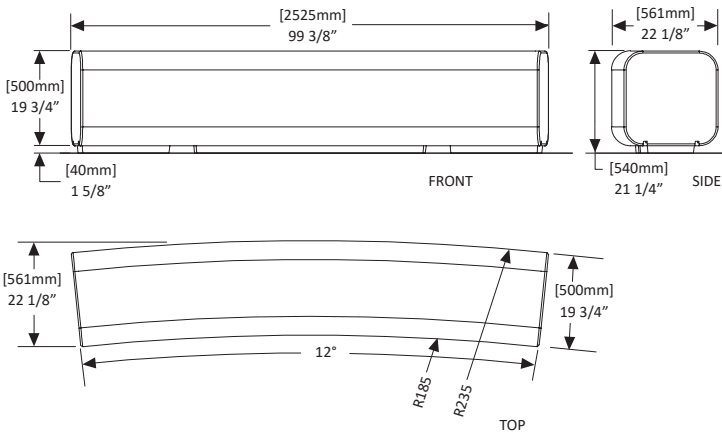


Fig. 1 - Free-standing backless bench

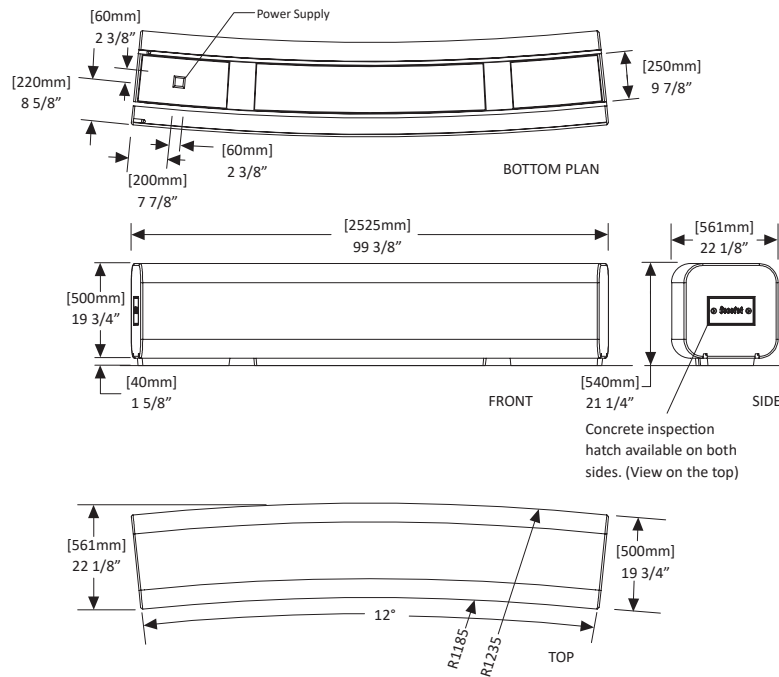
Electrical box section

LED	
Operating voltage	24V
Power	8W/m
Color temperature	6000K
Degree of protection	IP67

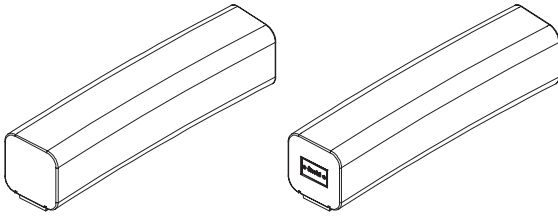
Serp R1185



Serp R1185 LED



SERP 4 - R1915



Tools Required:

- Crane or proper equipment to move 2411 lbs. to 3276 lbs. according to the size of bench.
- Non-Marring Straps

Installation

1. Determine placement of Bench.
2. Set in place with proper equipment such as a crane. See Fig. 1

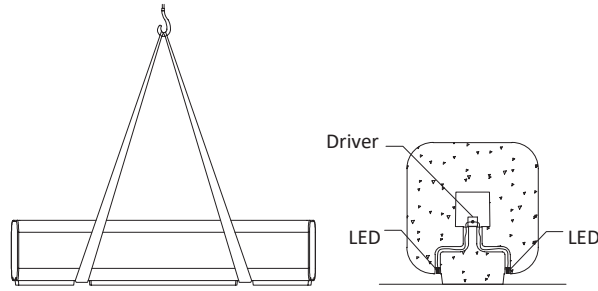
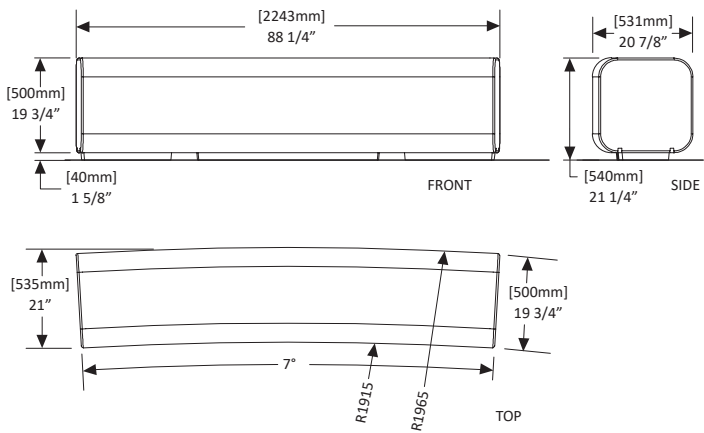


Fig. 1 - Free-standing backless bench

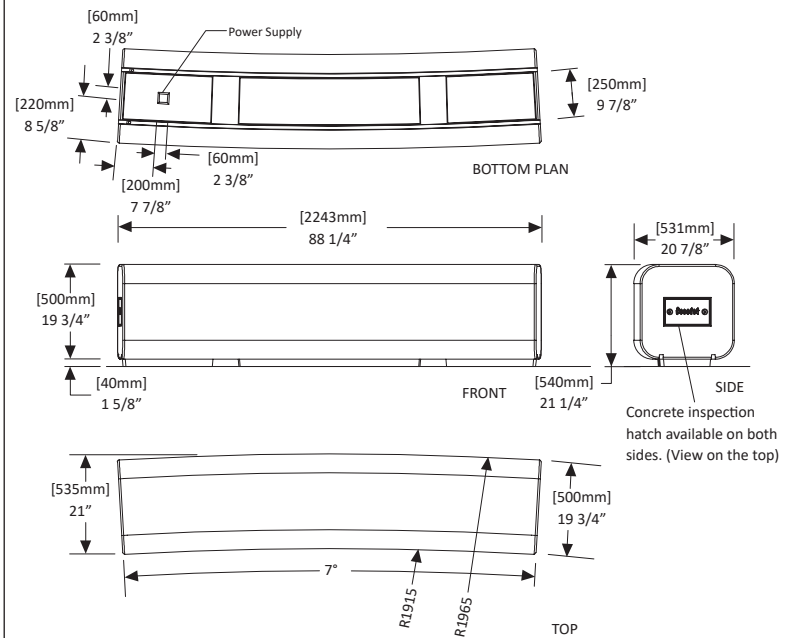
Electrical box section

LED	
Operating voltage	24V
Power	8W/m
Color temperature	6000K
Degree of protection	IP67

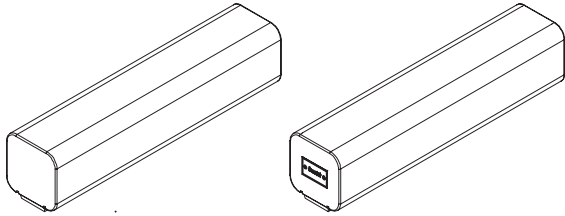
Serp R1915



Serp R1915 LED



SERP 5 - RECTO



Tools Required:

- Crane or proper equipment to move 2411 lbs. to 3276 lbs. according to the size of bench.
- Non-Marring Straps

Installation

1. Determine placement of Bench.
2. Set in place with proper equipment such as a crane. See Fig. 1

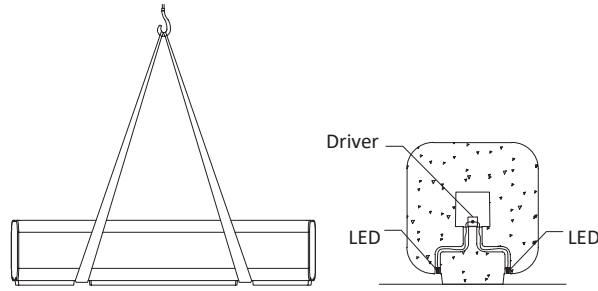
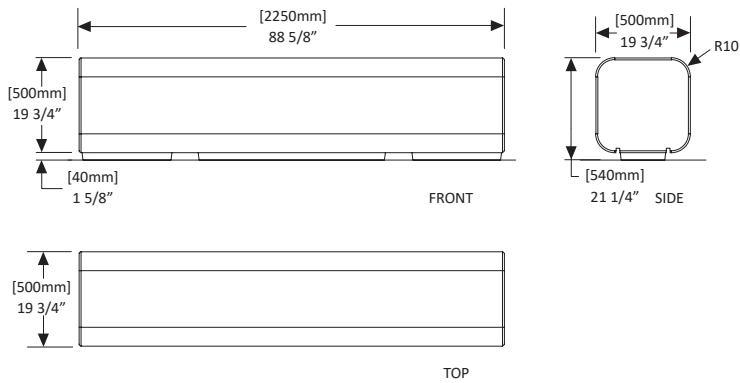


Fig. 1 - Free-standing backless bench

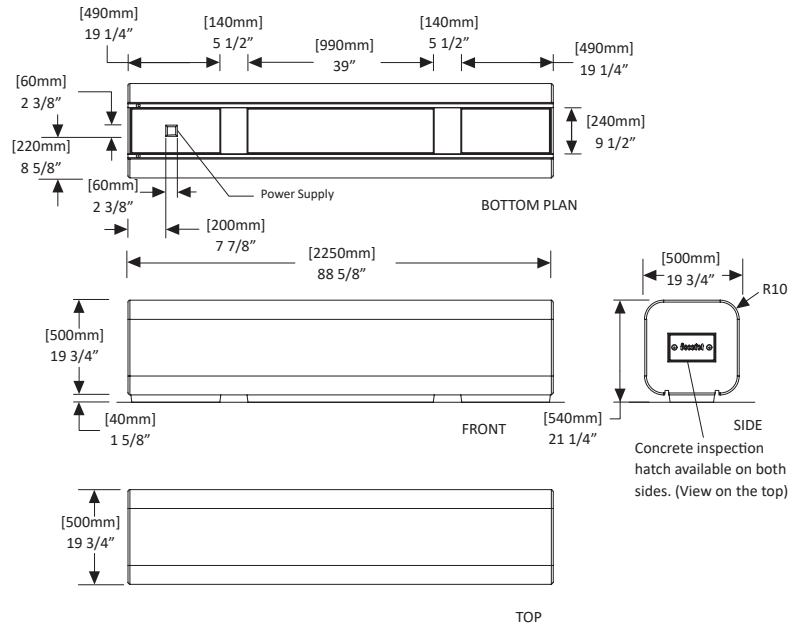
Electrical box section

LED	
Operating voltage	24V
Power	8W/m
Color temperature	6000K
Degree of protection	IP67

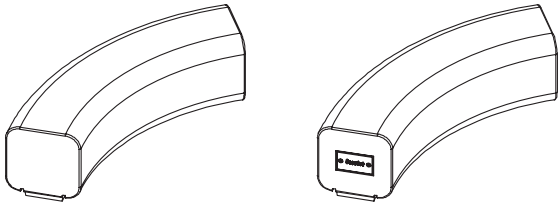
Serp Recto



Serp Recto LED



SERP 6 - R150



Tools Required:

- Crane or proper equipment to move 2411 lbs. to 3276 lbs. according to the size of bench.
- Non-Marring Straps

Installation

1. Determine placement of Bench.
2. Set in place with proper equipment such as a crane. See Fig. 1

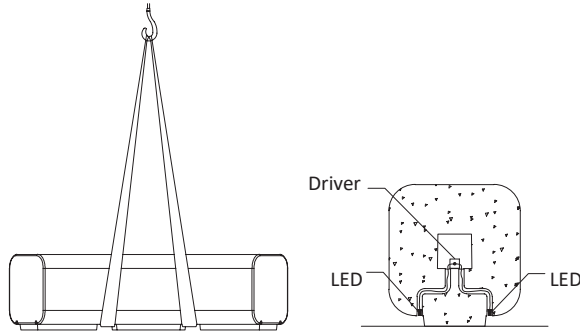
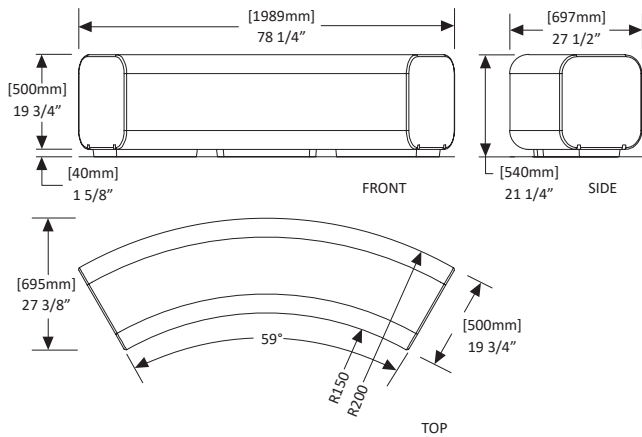


Fig. 1 - Free-standing backless bench

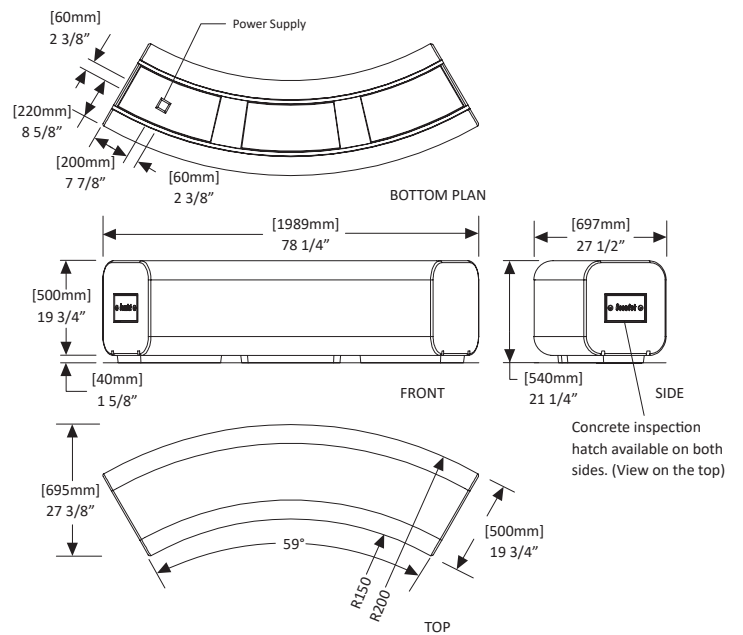
Electrical box section

LED	
Operating voltage	24V
Power	8W/m
Color temperature	6000K
Degree of protection	IP67

Serp R150

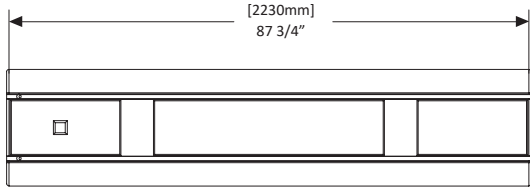


Serp R150 LED



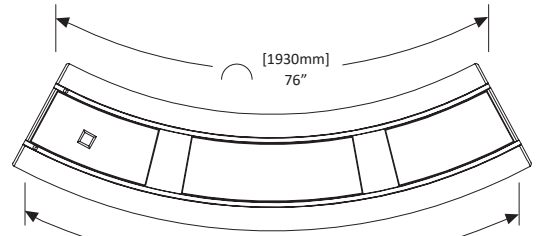
LED Size Specifications

SERP 5 - RECTO



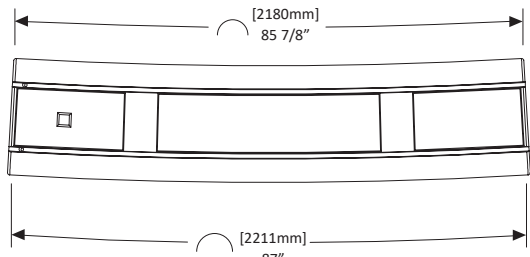
BOTTOM PLAN

SERP 2 - R185



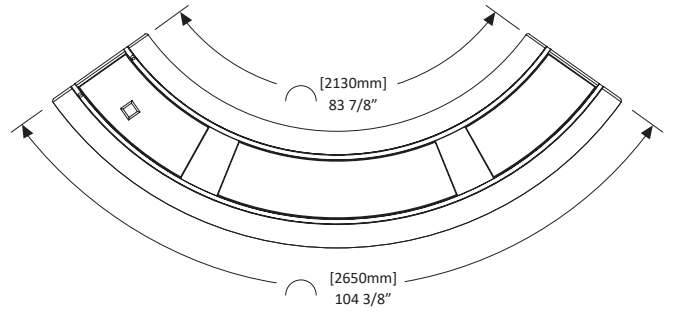
BOTTOM PLAN

SERP 4 - R1915



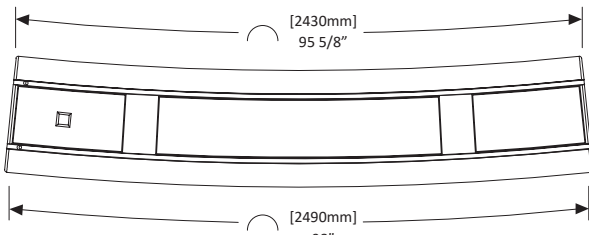
BOTTOM PLAN

SERP 1 - R100



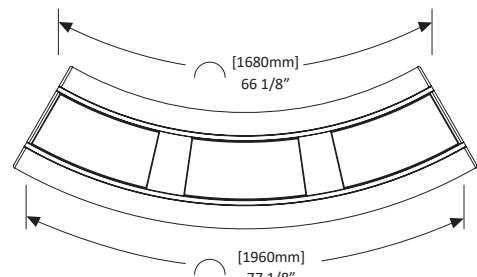
BOTTOM PLAN

SERP 3 - R1185



BOTTOM PLAN

SERP 6 - R150



BOTTOM PLAN

Examples of Configurations

① R100 ② R185 ③ R1185 ④ R1915 ⑤ RECTO ⑥ R150

