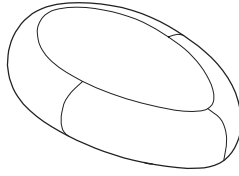
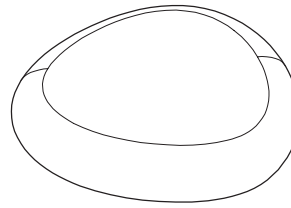


PETRA XS



PETRA S



PETRA L

Units include (2) M16 x 140mm bolts for anchoring.
Units must be anchored

Tools Required:

- Crane or proper equipment to move 1604 lbs. to 4468 lbs. according to the size of bench.
- Non-Marring Straps
- Wrench, 24mm
- Chemical Anchoring Adhesive
- Hammer drill with Ø1-1/2" dia masonry drill bit

NOTE: Items will deliver on pallets in closed freight containers. Appropriate equipment will be required to offload from a closed container. Flatbed delivery is possible upon request and for an additional charge. Strapping is indicated as a method of placing the item on the project site.

Installation

1. Determine placement of Bench.
2. Set in place with proper equipment such as a crane. See Fig. 1 or Fig. 2
3. Mark hole locations.
4. Drill holes according to Fig. 3.
5. Lift unit and install M16 x 140mm bolts. Thread in until tight. See Fig. 4
6. Fill holes with chemical anchoring adhesive.
7. Lower unit over holes.
8. Caulk around entire bench foot bottom of the bench.

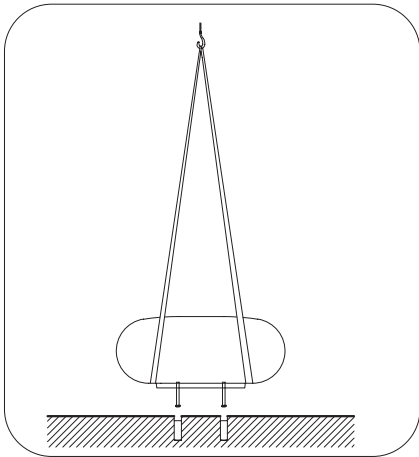


Fig. 1 Crane Install - Strap Locations (anchored)

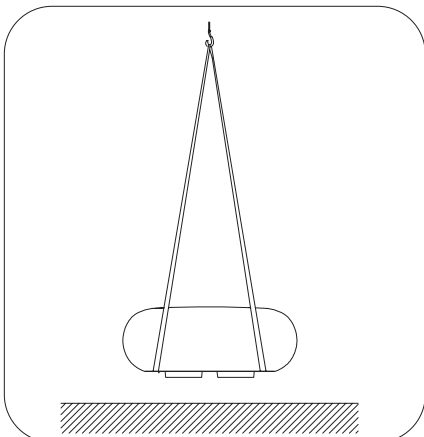


Fig. 2 Crane Install - Strap Locations (Freestanding)

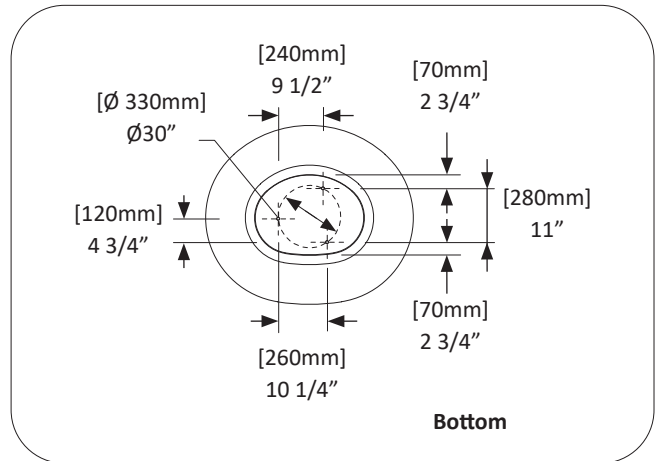


Fig.3 - Hole locations

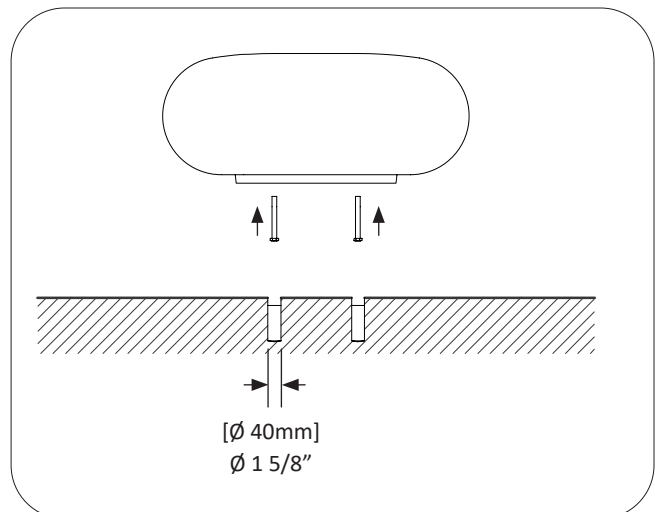
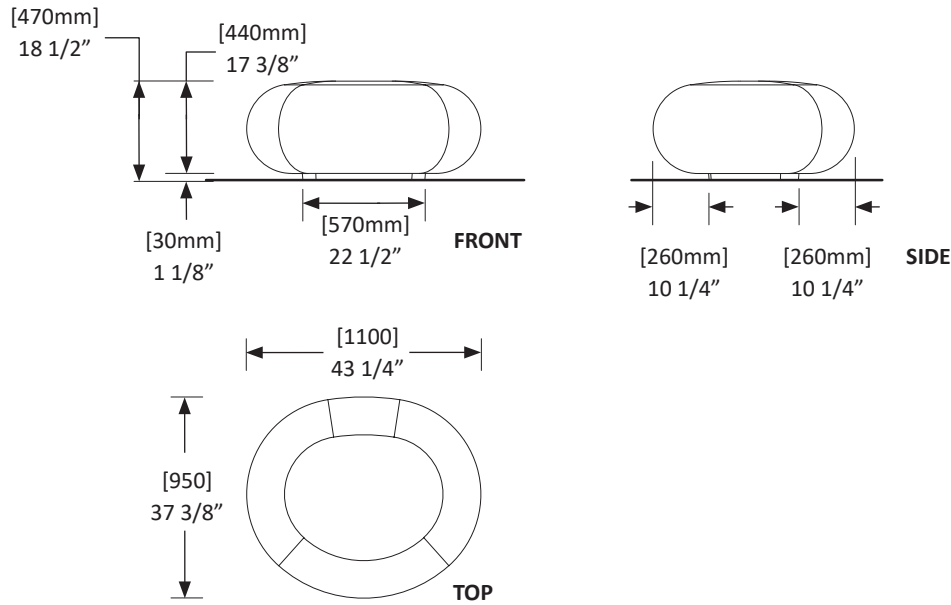
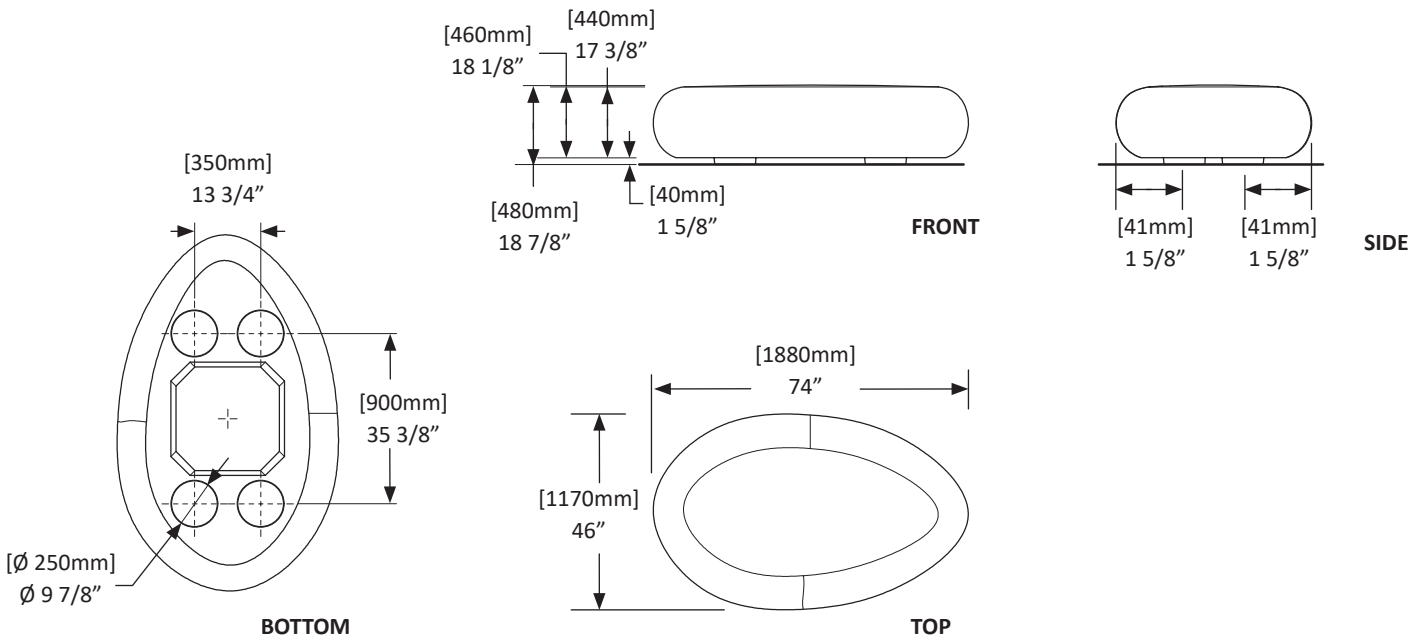


Fig.4 - Install Screws

PETRA XS



PETRA S



PETRA L

