

INSTALLATION:

1. Determine placement of bench. Bench weighs 2425 lbs.
2. Set in place with proper equipment such as a forklift or crane. See Fig. 1 or Fig 2.

Included components: No assembly required

Tools required:

- Crane or forklift to move 2425 lbs.
- Wood supports or straps

NOTE: Items will deliver on pallets in closed freight containers. Appropriate equipment will be required to offload from a closed container.

Flatbed delivery is possible upon request and for an additional charge.

Strapping is indicated as a method of placing the item on the project site.

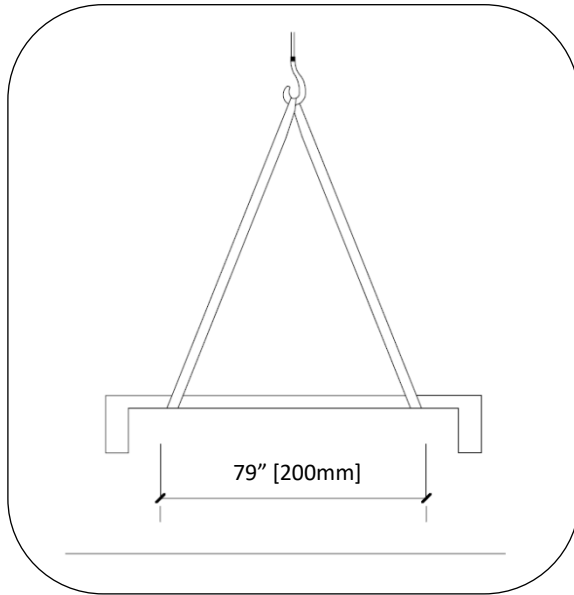


Fig. 1 – Crane install – strap locations

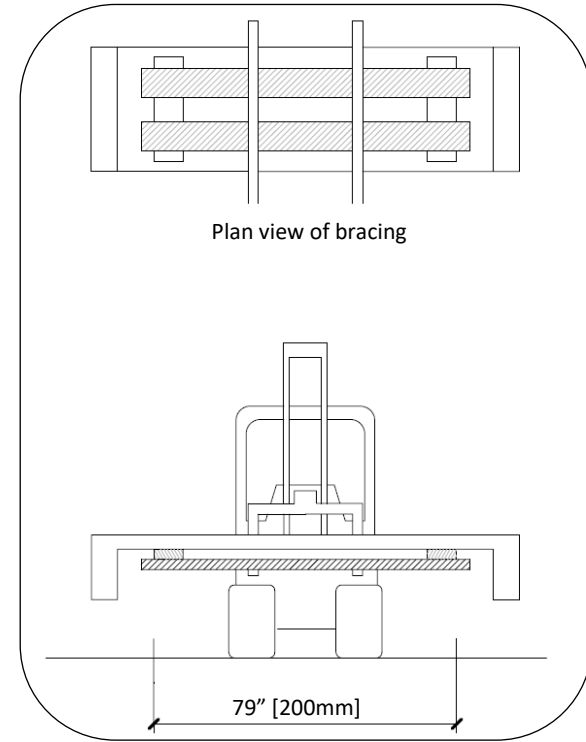


Fig. 2 – Forklift install – bracing locations