

2012 GSA **net** prices

authorized federal supply schedule

Contract Number: GS-03F-0008Y

federal supply schedule 78

sports, promotional, outdoor, recreation

trophies and signs (SPORTS)

Prices shown are **net** and include *product only*.

February 1, 2012

*Join the conversation on our blog:
insite.landscapeforms.com*

Contractor:

Landscape Forms

431 Lawndale Avenue, Kalamazoo, MI 49048

800.521.2546 Attn: Sharon Norris

landscapeforms®
outdoor furniture and accessories

GSA net prices

SIN No. 192-37i, SIN No. 366-11 and SIN No. 366-12

Landscape Forms' General Services Administration Contract

FEDERAL SUPPLY SERVICE

General information:

Schedule title and FSC group, part and section: Sports, Promotional, Outdoor, Recreation Trophies and Signs (SPORTS)

FSC classes: 4240, 7830 & 9905

Contract number: #GS-03F-0008Y

Contract period: October 1, 2011 thru September 30, 2016

Business size: Small

Contractor's name, address, and phone number:

Landscape Forms, Inc.
431 Lawndale Avenue
Kalamazoo, MI 49048
1-800-521-2546
Attn: Sharon Norris

Contract Administrator: Sharon Norris

For assistance and ordering information, please refer to the following url's:

- On line access to contract ordering information, terms and conditions, up-to-date pricing, and the option to create an electronic delivery order are available through GSA Advantage at <http://www.fss.gsa.gov>
- For more information on ordering from Federal Supply Schedules, click on FSS Schedules button at <http://www.fss.gsa.gov>

CUSTOMER INFORMATION:

1. Awarded special items/lowest unit price.

1a. Table of awarded special item number(s) with appropriate cross-referencing to page numbers:

SIN No. – 197-37i Connect page 7, Kaleidoscope page 11

SIN No. – 366-11 Show page 8

SIN No. – 366-12 All pages this price book dated November 7, 2011 with the exception of the above two SIN No lists.

1b. Identification of the lowest priced model number and lowest unit price for that model for each special item number awarded in the contract:

SIN No. – 197-37i Connect Leaning Rail \$632.55 page 7

SIN No. – 366-11 Show \$8,974.98 page 8

SIN No. – 366-12 Annapolis Solar Unit Replacement Battery Kit \$43.33 page 10

2. Maximum order: \$500,000 SIN No. 192-37i; \$100,000 SIN No. 366-11 and SIN No. 366-12

3. Minimum order: none

4. Geographic coverage (delivery area): 48 Contiguous States, Alaska, Hawaii, Puerto Rico and overseas orders via CONUS Consolidation Point or Point of Departure

5. Point(s) of production: Kalamazoo, Kalamazoo County, Michigan

6. Prices shown herein are Net GSA prices to the customer.

7. Quantity discount: 0

8. Prompt payment terms: N/A

9. Government credit card information

9a. Accepted below micropurchase threshold: Yes

9b. Accepted above the micropurchase threshold: Yes

10. Foreign items: None

11. Delivery

11a. Time of delivery: 45 days ARO (standard delivery)

11b. Expedited delivery: none

11c. Overnight and 2nd day delivery: none

11d. Urgent requirements: N/A

GSA net prices

SIN No. 192-37i, SIN No. 366-11 and SIN No. 366-12

12. F.O.B. point: origin (Kalamazoo, Michigan), prepaid and invoiced

13. Ordering address:

Landscape Forms, Inc.
431 Lawndale Avenue
Kalamazoo, MI 49048

14. Payment address:

Dept. 78073
Landscape Forms, Inc.
P.O. Box 78000
Detroit, MI 48278-0073

15. Warranty provision: Yes, as noted on page 5 of this price book.

16. Export packing charges, if applicable: None

17. Terms and conditions of government purchase card acceptance (any thresholds above the micropurchase level): N/A

18. Terms and conditions of rental, maintenance, and repair (if applicable): N/A

19. Terms and conditions of installation (if applicable): N/A

20. Terms and conditions of repair parts indicating date of parts price lists any discounts from list price (if applicable): N/A

20a. Terms and conditions for any other service (if applicable): Please refer to the Landscape Forms GSA price list.

1.) Restocking: 20%

21. List of service and distribution points: N/A

22. List of participating dealers (if applicable): N/A

23. Preventive maintenance (if applicable): N/A

24. Year 2000 (Y2K) compliant: Yes

25. Environmental attributes:

- Landscape Forms is in compliance with current environmental laws and retains a consultant to assure future compliance.
- Landscape Forms uses an environmentally friendly metal finishing process that uses NO heavy metals (no leads), is free of hazardous air pollutants (HAPS-free), generates no hazardous solid waste, contains extremely low Volatile Organic Compounds (VOCs).
- Several Landscape Forms products may be specified with recycled timbers made from 100% recycled HDPE plastic.
- Landscape Forms purchases jarrah wood that comes from managed forests. Landscape Forms' supplier of ipe, hard maple and red oak is certified for Chain of Custody by SmartWood; thereby recognized as coming from forests adhering to the Principles and Criteria of the Forest Stewardship Council (FSC).

26. Data Universal Number System (DUNS) number: 04-923-8363

27. Notification regarding registration in Central Contractor Registration (CCR): Yes, currently active under Cage Code # OART8

GSA net prices

PRODUCT INDEX

- 6 Alcott Light
- 10 Annapolis Bollard
- 7 Connect Shelter
- 8 Glo Lighting
- 6 Hawthorne Light
- 11 Kaleidoscope OS
- 9 Paladin Bollard
- 9 Sentinel Bollard
- 8 Show Ad Panel

OUR PURPOSE IS TO ENRICH OUTDOOR SPACES

We believe in the power of design and its ability to influence and elevate the quality of public space. High quality products and outstanding customer experience make us one of the world's premier designers and manufacturers of outdoor commercial furnishings.

INTELLECTUAL PROPERTY PROTECTION

Landscape Forms has invested a significant amount of resources into developing distinctive designs. The photographs, text and product designs shown in our brochures and collateral materials are protected under the Lanham Act and Copyright Act of the United States, as well as a number of unfair competition statutes and the common laws of many states.

It is Landscape Forms' policy to protect our intellectual property to the fullest extent of the law.

Landscape Forms may have intellectual property rights regardless of whether the item is covered by a particular patent or registered trademark.

The above mentioned Patent Laws expressly prohibit making, using, or selling infringing products.

The following items are protected by U.S. patents: **U.S. Patent No.**

Connect	.D603,526; D644,446; D602,271
Glo Lighting	.D620,170; D620,169
Kaleidoscope	.D432,665; D420,812; D421,132; D429,000; .D412,993; D413,314; D420,233; D420,812; D532,549
Show Ad Panel	.D625,524

GSA net prices

NET PRICE SCHEDULE FEBRUARY 1, 2012

HOW TO ORDER: This price list is designed to provide ordering information, based on our current product line. Product lines are divided by collection names. Specifying directions for each product are included on each page, along with product-specific directions.

It is important to specify the collection name and model description for each product desired, along with any other specifics. Standard lead times are 30–45 days.

PRICES: All prices are net USD, FOB destination. Prices do not include shipping and handling; these will be added to the invoice.

TERMS: A signed purchase order, signed quote, or credit card information is required. No verbal orders are accepted.

Landscape Forms' credit terms are net 30 days. Terms are subject to change due to company payment history and/or D&B information. Acknowledgement of this order, fabrication, or shipment of any part will constitute acceptance by purchaser of all terms and conditions.

Terms of payment may be altered at any time in the event credit of the buyer becomes impaired.

No merchandise may be returned without authorization. Returns are subject to a 30% to 100% disposition fee. Special orders may not be returned.

Cancellation of orders is governed by the stage of processing and a charge of 30% to 100% may be imposed to cover partially completed work. Special orders may not be cancelled.

PLEDGE: Your complete satisfaction and future business are our goals. Standing behind our products has been a cornerstone of our commitment to quality and service for over 35 years. Our products will satisfactorily perform their intended function, under normal circumstances, for many years. If you are ever dissatisfied with one of our products, please contact us and let us demonstrate our commitment.

SPECIFICATIONS: Subject to change without notice.

MATERIALS AND FINISHES: Samples of all materials and finishes available. For standard selections and technical information visit www.landscapeforms.com.

MOUNTING HARDWARE: The Mix and Stay benches ship with mounting hardware.

WEIGHTS: Approximate shipping weights are indicated in pounds and include unit and packaging materials.

FREIGHT CLAIMS: Carrier is an agent of the customer and Landscape Forms is not responsible for loss or damage in transit. If damage is found, contact Landscape Forms immediately. Do not unpack merchandise completely until inspected by carrier.

WARRANTY: Landscape Forms, Inc. warrants all products (other than noted exceptions) to be free from defects in material and/or workmanship for a period of three years from date of invoice. Noted exceptions: Marketplace umbrellas are warranted for one year from date of invoice.

When properly installed and under normal conditions of use, Landscape Forms warrants LED lighting products to be free of defects in material and workmanship for three years on metal parts and painted finishes, and six years or 50,000 operating hours – whichever comes first, for the LED cartridge and Drive Circuit. The driver is rated for a minimum of 100,000 hours (mean time between failure) by the manufacturer.

This warranty does not apply to damage resulting from accident, alteration, misuse, tampering, negligence, or abuse. Landscape Forms, Inc. will, at its option, repair, replace, or refund the purchase price of any items found defective upon inspection by an authorized Landscape Forms, Inc. service representative.



U.S. Green Building Council Member.
FSC certified wood available upon request.
FSC certification number is SW-COC-01261.
Call for our environmental statement.

FOR ADDITIONAL INFORMATION: Call Landscape Forms at 800-521-2546 between 8:00 a.m. and 5:00 p.m. eastern time. Ask for the sales/service representative for your state.

FAX: Our FAX number is 269-381-3455 and is available 24 hours a day for document transmission.

www.landscapeforms.com

Our ever-expanding website features:

- Photographs and specifications of our entire product line
- Color and material options
- Installation lists and photographs

Our website offers immediate download of:

- CAD drawings
- Technical sheets
- CSI specifications
- Full-color product brochures
- Presentation-quality product photographs
- Current price list
- SketchUp components

SIN No. 366-12

Alcott
Alcott pedestrian light design is patent pending.
To order: Specify collection, model description and powdercoat color. Specify with type 3 or type 5 light distribution. Alcott ships fully assembled, ready for installation. Alcott is surface mounted and ships with installation template and hardware.

<i>description</i>	<i>size (d x h x l)</i>	<i>price</i>	<i>(ship.wt.)</i>
Alcott 12ft Pedestrian Light, Type 3 w/ dimmable driver	21" x 144" x 21"	\$ 2590.84	(445)
Alcott 12ft, Pedestrian Light, Type 5, w/ dimmable driver	21" x 144" x 21"	3076.08	(450)



pedestrian light

Hawthorne
Hawthorne pathway light design is patent pending.
To order: Specify collection, model description and powdercoat color. Hawthorne ships fully assembled, ready for installation. Hawthorne is only available surface mounted.

<i>description</i>	<i>size (d x h x l)</i>	<i>price</i>	<i>(ship.wt.)</i>
Hawthorne 3ft Pathway Light	11" x 37" 11"	\$ 1213.10	(50)



pathway light

metro 40™ collection

GSA net prices

SIN No. 192-37i

Connect™

Connect shelter design is protected by U.S. Patent No. D603,526.

To order: Specify collection name, model description and powdercoat color. Side glass panels are standard on all Connect shelters. Select glass panel configurations for front and back walls. Specify plain or patterned glass for side, front and back panels. Patterned glass incurs an upcharge. LED lighting is standard on all Connect shelters. Specify optional solar panel with batteries. Patterned glass incurs a variable upcharge – pricing is affected by many factors including number of glass panels with pattern, complexity of pattern and method of adding pattern to glass. Consult your Landscape Forms representative for details.

description	size (d x h x l)	price	(ship wt)
Connect, 4' x 8' shelter, no front/back glass panels	83" x 97" x 122"	\$ 18,612.42	(1636)
Connect, 4' x 8' shelter, one front/back glass panel	83" x 97" x 122"	19,444.26	(1789)
Connect, 4' x 8' shelter, two front/back glass panels	83" x 97" x 122"	20,276.10	(1894)
Connect, 4' x 8' shelter, three front/back glass panels	83" x 97" x 122"	21,107.94	(2037)
Connect, 4' x 12' shelter, no front/back glass panels	83" x 97" x 172"	\$ 20,388.75	(1913)
Connect, 4' x 12' shelter, one front/back glass panel	83" x 97" x 172"	21,220.59	(2100)
Connect, 4' x 12' shelter, two front/back glass panels	83" x 97" x 172"	22,052.43	(2226)
Connect, 4' x 12' shelter, three front/back glass panels	83" x 97" x 172"	22,884.27	(2310)
Connect, 4' x 12' shelter, four front/back glass panels	83" x 97" x 172"	23,716.11	(2453)
Connect, 4' x 12' shelter, five front/back glass panels	83" x 97" x 172"	24,547.95	(2570)

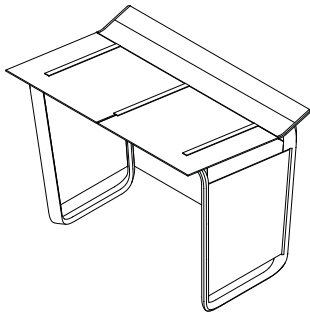
Option:

Solar lighting

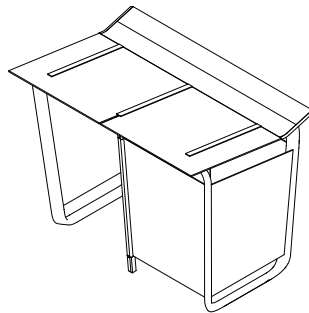
\$ 3,266.71

Patterned glass

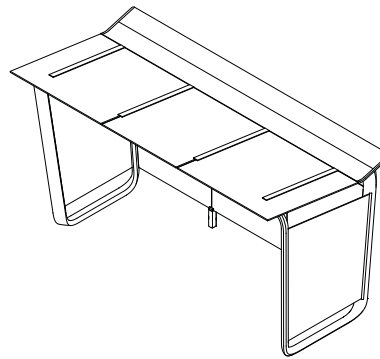
Incurs an upcharge – call for quote



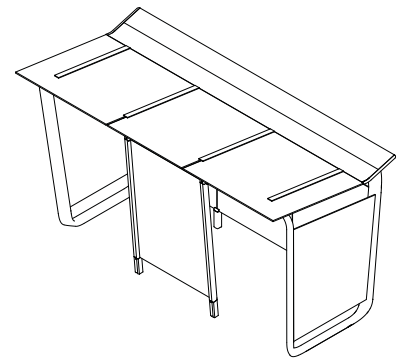
4' x 8' shelter
w/all back glass



4' x 8' shelter w/all back glass
and left front glass



4' x 12' shelter
w/all back glass



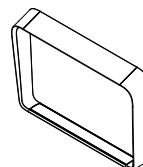
4' x 12' shelter w/all back glass
and center front glass

Connect™ rails

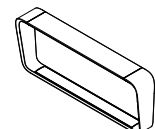
Connect rail design is protected by U.S. Patent Nos. D644,446; D602,271.

To order: Specify collection name, model description and powdercoat color. Select aluminum or jarrah. Rails meet ANSI/BIFMA performance and safety standards. Standard in surface mount. Ships fully assembled.

description	size (d x h x l)	price	(ship wt)
Connect, Leaning rail	6" x 30" x 45"	\$ 693.20	(54)
Connect, Sitting rail	7" x 18" x 45"	632.55	(46)



leaning rail



sitting rail

metro 40™ collection

GSA net prices

SIN No. 366-12

Glo™

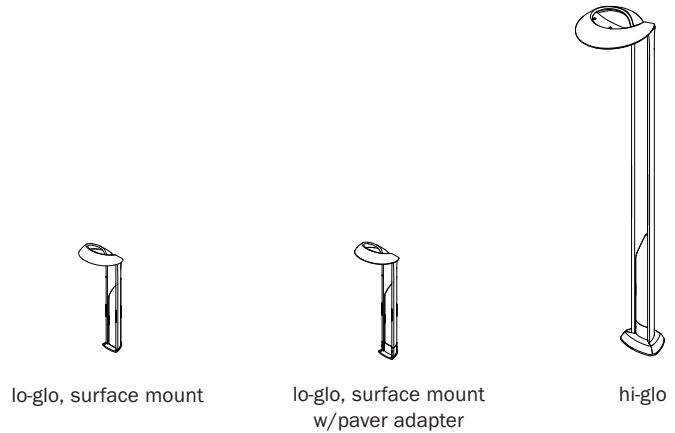
Glo lighting design protected by U.S. Patent Nos. D620,170; D620,169.

To order: Specify collection, model description and powdercoat color for frame. Specify optional twist lock receptacle, cover plate, or dimmable driver for Hi-Glo. Specify surface mount or paver adapter for Lo-Glo. Glo ships fully assembled. Hi-Glo ships with anchoring hardware.

description	size (d x h x l)	price	(ship wt)
Hi-Glo pedestrian light, w/dimmable driver	37" x 150" x 25"	\$ 2642.83	(445)
Lo-Glo path light, surface mount	15" x 39" x 12"	1429.73	(50)
Lo-Glo path light, surface mount with paver adapter	15" x 42" x 12"	1429.73	(51)

Option:

Hi-Glo cover plate	\$ 64.99
Hi-Glo twist-lock receptacle	\$129.98



SIN No. 366-11

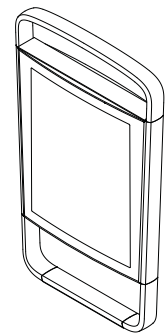
Show™

Show ad panel design is protected by U.S. Patent No. D625,524.

To order: Specify collection, model description and powdercoat color for frame. Graphic border comes standard in black and the lighted display box ships with Show. Show ships fully assembled.

description	size (d x h x l)	price	(ship wt)
Show ad panel	6" x 89" x 54"	\$ 8,794.98	(600)

Note: Show doors require 4' of clear space for opening.
 40" x 50" graphic supplied by customer.
 T8 fluorescent lamps not included



ad panel

paladin™ bollards

GSA net prices

SIN No. 366-12

Paladin Bollard

To order: Specify collection name and model description. Specify mounting: embedded, surface mount or removable. For embedded or surface mount, specify with or without LED light (US or Euro). Select powdercoat color. Bollard ships fully assembled.

<i>description</i>	<i>size (d x w x h)</i>	<i>price</i>	<i>(ship.wt.)</i>
Paladin, Embedded, Bollard	10" x 10" x 38"	\$ 1100.46	(110)
Paladin, Embedded, Bollard, w/LED light	10" x 10" x 38"	1464.39	(105)
Paladin, Removable Bollard	10" x 10" x 38"	1464.39	(175)
Paladin, Surface Mount Bollard	10" x 10" x 38"	1100.46	(140)
Paladin, Surface Mount Bollard, w/LED light	10" x 10" x 38"	1464.39	(130)



paladin

sentinel™ bollards

SIN No. 366-12

Sentinel Bollard

To order: Specify collection name and model description. Specify mitre or dome top. Specify mounting: embedded, surface mount or removable. For embedded or surface mount with mitre top choose with or without LED light (US or Euro). Select powdercoat color. Bollard ships fully assembled.

<i>description</i>	<i>size (dia x h)</i>	<i>price</i>	<i>(ship.wt.)</i>
Sentinel, Embedded Bollard with dome top	11" x 34"	\$ 1100.46	(115)
Sentinel, Surface Mount Bollard with dome top	11" x 34"	1100.46	(90)
Sentinel, Removable Bollard with dome top	11" x 34"	1464.39	(155)
Sentinel, Embedded Bollard with mitre top	11" x 37"	1100.46	(120)
Sentinel, Removable Bollard with mitre top	11" x 37"	1464.39	(155)
Sentinel, Surface Mount Bollard with mitre top	11" x 37"	1100.46	(95)
Sentinel, Embedded Bollard with mitre top and LED light	11" x 42"	1464.39	(120)
Sentinel, Surface Mount Bollard with mitre top and LED light	11" x 42"	1464.39	(95)



sentinel domed top



sentinel mitre top



sentinel mitre top with LED light

Sentinel Security Sleeve

To order: Specify collection name and model description. Select powdercoat color. Hardware to secure sleeve included. Bollard ships fully assembled.

<i>description</i>	<i>size (dia x h)</i>	<i>price</i>	<i>(ship.wt.)</i>
Sentinel Security Sleeve, dome top	15" x 44"	\$ 1559.70	(70)



sentinel security sleeve

annapolis™ bollards

GSA net prices

SIN No. 366-12

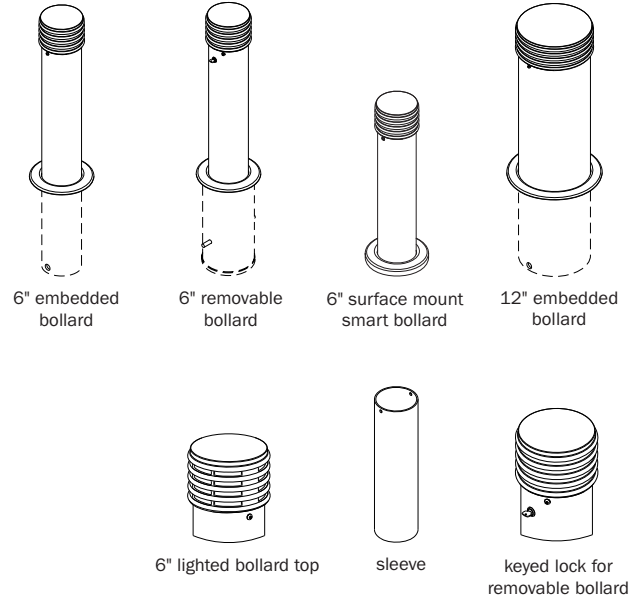
Annapolis Bollards

To order: Specify collection name, model description, powdercoat color, with or without sleeve. Sleeve colors: Black or Silver. Specify transformer and quantity, if ordering the low voltage lighted option. Transformer can power up to 5 bollards. Some assembly required.

<i>description</i>	<i>size (dia. x h)</i>	<i>price (ship.wt.)</i>
6" Embedded Bollard	6" x 33"	\$ 433.25 (91)
6" Embedded Bollard w/LED Light	6" x 33"	537.23 (99)
6" Removable Bollard	6" x 33"	875.17 (146)
6" Surface Mount Bollard	6" x 33"	571.89 (68)
6" Surface Mount Bollard w/LED Light	6" x 33"	675.87 (76)
12" Embedded Bollard	12" x 33"	805.85 (242)
12" Embedded Bollard w/LED Light	12" x 33"	909.83 (251)

Options

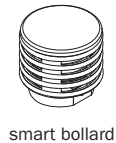
Polyethylene Sleeve for 6" Bollard	\$ 43.33 (5)
Polyethylene Sleeve for 12" Bollard	\$ 69.32 (8)



Annapolis Smart Bollard

Annapolis Smart Bollard sealed light with solar panels. Retrofit top includes battery.

<i>description</i>	<i>size (dia. x h)</i>	<i>price (ship.wt.)</i>
6" Embedded Bollard w/Solar Light	6" x 33"	\$ 758.19 (95)
6" Surface Mount Bollard w/Solar Light	6" x 33"	896.83 (72)
6" Removable Bollard w/Solar Light	6" x 33"	1200.10 (105)
6" Retrofit Top w/Solar Light	6" x 33"	381.26 (10)
Solar Unit Replacement Battery Kit	6" x 33"	43.33 (3)



kaleidoscope® OS

GSA net prices

SIN No. 192-37i

Kaleidoscope® OS

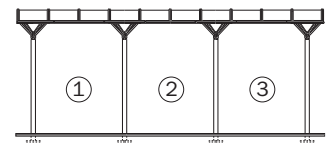
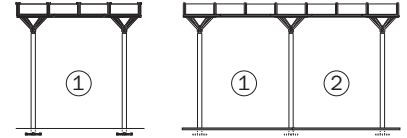
Kaleidoscope design is protected by Patent Nos. D432,665; D420,812; D421,132; D429,000; D412,993; D413,314; D420,233; D420,812; D532,549.

To order: Select a structure. Specify two, three or four posts, to create one, two or three bays. Standard solid panel offset canopies are made to fit. Optional backed or backless Plexus or Presidio seats, with or without intermediate arms may be specified. Specify surface mount or below grade mounting. Lighting is also optional. Select standard hard-wired lighting, or create a Smart Shelter with state-of-the-art solar powered LED lighting. Specify powdercoat color. See Kaleidoscope Installation guide for ground preparation and footing information, and assembly instructions.

description	price	(ship wt)
-------------	-------	-----------

Straight Canopy Units

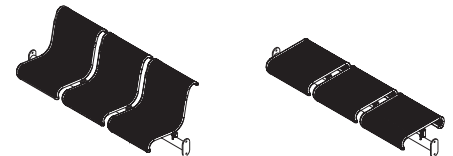
2 posts, one bay	\$ 7,469.23	(1311)
3 posts, two bays	11,645.76	(2065)
4 posts, three bays	15,804.96	(2819)



below grade mounting

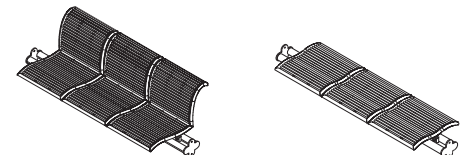
Bench

Plexus Backless 3-seat unit	\$ 1,039.80	(144)
Plexus Backless 3-seat unit, with 2 intermediate arms	1,213.10	(164)
Plexus Backed 3-seat unit	1,273.76	(189)
Plexus Backed 3-seat unit, with 2 intermediate arms	1,447.06	(209)
Presidio Backless 3-seat unit	1,455.72	(252)
Presidio Backless 3-seat unit, with 2 intermediate arms	1,577.03	(256)
Presidio Backed 3-seat unit	1,767.66	(384)
Presidio Backed 3-seat unit, with 2 intermediate arms	1,888.97	(388)



plexus backed

plexus backless



presidio backed

presidio backless

Lighting

Low voltage lighting, 2 post unit (2 light fixtures, 2 transformers)	\$ 550.23	(100)
Low voltage lighting, 3 post unit (4 light fixtures, 4 transformers)	1,100.46	(200)
Low voltage lighting, 4 post unit (6 light fixtures, 6 transformers)	1,637.69	(300)
Solar light kit for 2, 3 post unit (1 solar system)	\$ 3,362.02	(100)
Solar light kit for 4 post unit (2 solar systems)	6,732.71	(200)



hard-wired lighting



solar-powered lighting

Specifications are subject to change without notice.

Most products manufactured in U.S.A.

©2012 Landscape Forms, Inc.

Printed in U.S.A. 02.01.12

landscapeforms®

P 800.521.2546 F 269.381.3455

431 Lawndale Avenue, Kalamazoo, MI 49048

www.landscapeforms.com