

landscapeforms®



maggie





The human form elegantly expressed

Maggie's dignified profile marries the form and gesture of the human body with materials and finishes that provide comfort and color. Designed by celebrated landscape architects Gustafson Guthrie Nichol, this welcome addition to Landscape Forms' diverse offering of furniture for outdoor spaces exemplifies the simple elegance that is a GGN signature. Maggie's subtly contoured form delicately perches above the ground plane and provides comfort for a broad range of users. Designed originally for Chicago's Millennium Park, the Maggie bench now lends its sophisticated presence to a wide variety of outdoor environments.



Our Purpose Is To Enrich Outdoor Spaces

We believe in the power of design and its ability to influence and elevate the quality of public space. High quality products and outstanding customer experience makes us one of the world's premier designers and manufacturers of outdoor commercial furnishings.

Maggie Specifications




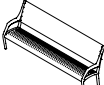
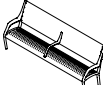
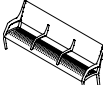
The Maggie bench is available in 78" or 102" lengths. End arms are standard, but intermediate dividers or arms can be added. Benches are freestanding, with a surface mount/embedded hardware pack available. Fabricated powdercoated steel panels attach to cast aluminum end frames using stainless steel hardware.

Optional seat divider is a contoured cast aluminum component that fits across the seat from back to front — to provide personal space and discourage sleepers and skateboarders.

Maggie meets ANSI/BIFMA performance and safety standards.

To Specify

Specify Maggie bench. Select with or without intermediate or center arms or dividers. If specified, select number and placement of arms/dividers. Select powdercoat color. Specify freestanding or surface mount/embedded. Bench ships fully assembled.

			
78" bench	78" bench with one divider	78" bench with two dividers	
28" x 39" x 78"	28" x 39" x 78"	28" x 39" x 78"	d x h x w
			
102" bench	102" bench center arm	102" bench with two intermediate arms	
28" x 39" x 102"	28" x 39" x 102"	28" x 39" x 102"	d x h x w

landscapeforms.com

Visit our website for product details, color charts, technical sheets, sales office locations. Download JPG images, brochure PDF, CAD details, CSI specifications.

Maggie bench is designed by Gustafson Guthrie Nichol, Ltd. Specifications are subject to change without notice. Maggie is manufactured in the U.S.A. Location photography: Mercer Island, WA Landscape Forms supports the Landscape Architecture Foundation at the Second Century level. ©2010 Landscape Forms, Inc. Printed in U.S.A.



Metal is the world's most recycled material and is fully recyclable. Consult our website for recycled content for this product. Powdercoat finish on metal parts contains no heavy metals, is HAPS-free and has extremely low VOCs.



Landscape Forms is proud to specify FSC and Green-e certified paper. This paper meets the Forest Stewardship Council's standards for responsible forest management and is made using certified renewable energy.

landscapeforms®

800.521.2546 269.381.3455 fax
431 Lawndale Avenue, Kalamazoo, MI 49048
landscapeforms.com