

# Instructions

Assembly  
Installation  
Operation

4/2010

## Wellspring™ Shade Structure Installation

**The Wellspring™ Shade Structure is rated for a maximum wind speed of 45 M.P.H. with the Sunbrella® Canopy Cover attached. If winds are in excess of 45 M.P.H. the Sunbrella cover can be easily removed. The Shade Structure canopy is not designed for snow loads, so it must be removed in the winter. Landscape Forms is not responsible for damage caused by weather related conditions.**

### **Read All the Instructions Fully Before starting the Installation**

Do NOT try to assemble Shade Structure in windy conditions.

At least two or three people will be needed for assembly.

Sufficient overhead clearance must be available before you begin, avoid low hanging power lines and trees.

Tools required for assembling the Wellspring® Shade Structure:

Power screw driver with #4 Phillips bit

9/16" Wrench

5/16" hex Allen wrench

7/32 hex Allen wrench

Step Ladder

**ASSEMBLE WITH CARE!** Pangard II® Polyester powder coat is a strong, long-lasting finish. To protect this finish during assembly, place unwrapped powder coated parts on packaging foam or other non-marring surface. Do not place or slide powder coated parts on cement or other hard or textured surface – this will damage the finish causing rust to occur. Use touch-up paint on any gouges in the finish caused by assembly tools

Components Included with the Shade Structure:

(2) Wood Uprights with Steel Surface Mounting Plates attached

(4) Aluminum Frame assemblies

(4) Socket Head Cap screws 3/8-16 x 1-1/2" long

(8) Flat Head Stainless Machine Screws 3/8-16 x 4" long

(8) Hex Nuts Stainless Steel 3/8- 16

(8) Flat Washers 3/8 Stainless Steel

(4) Frame splice lock connectors with set-screws

(1) Sunbrella® Canopy Cover

landscapeforms®

Page 1 of 7

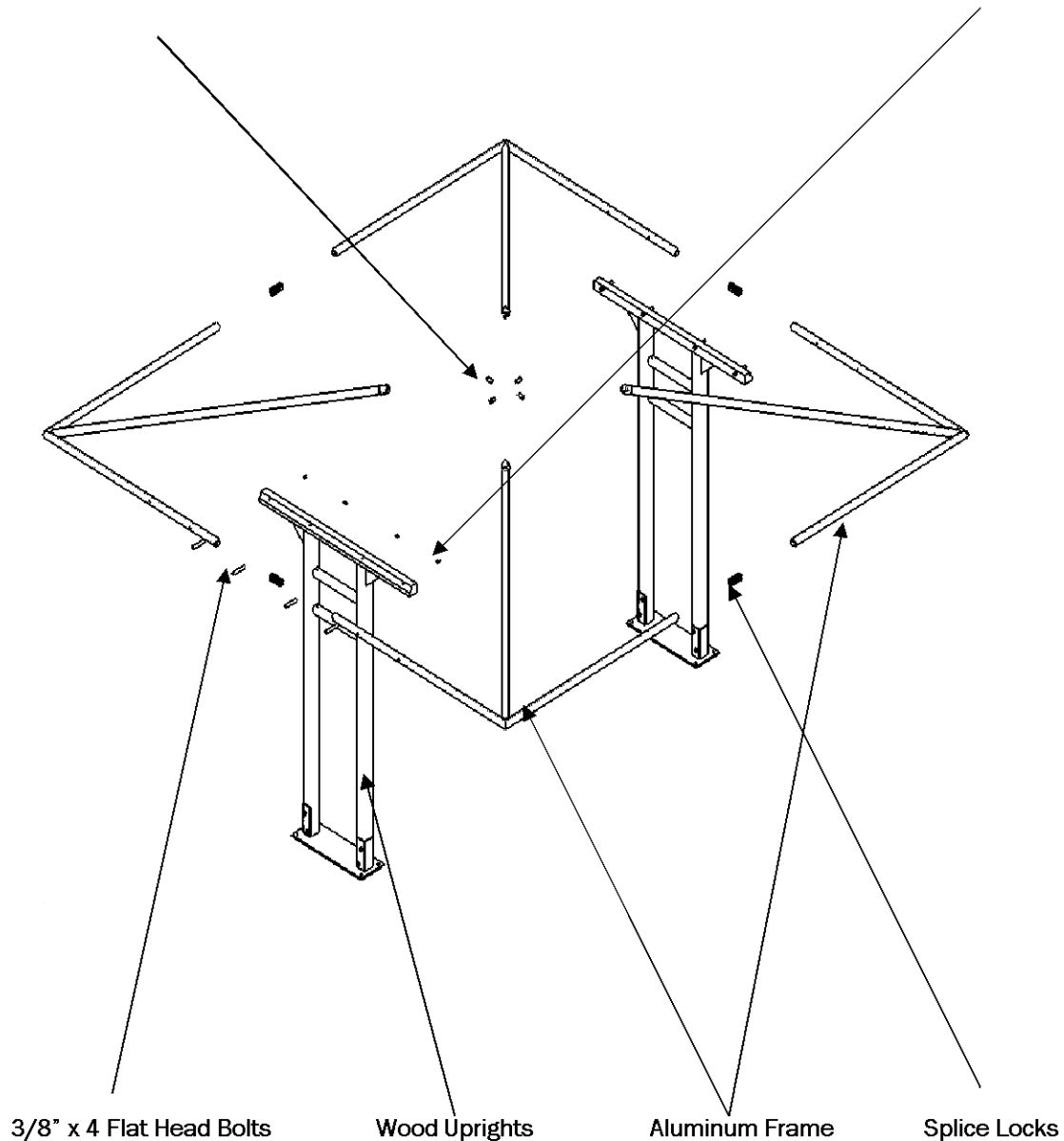
# Instructions

Assembly  
Installation  
Operation

## Component Identification:

3/8" x 1-1/2" Cap Screws

Lock Nuts and Flat Washers

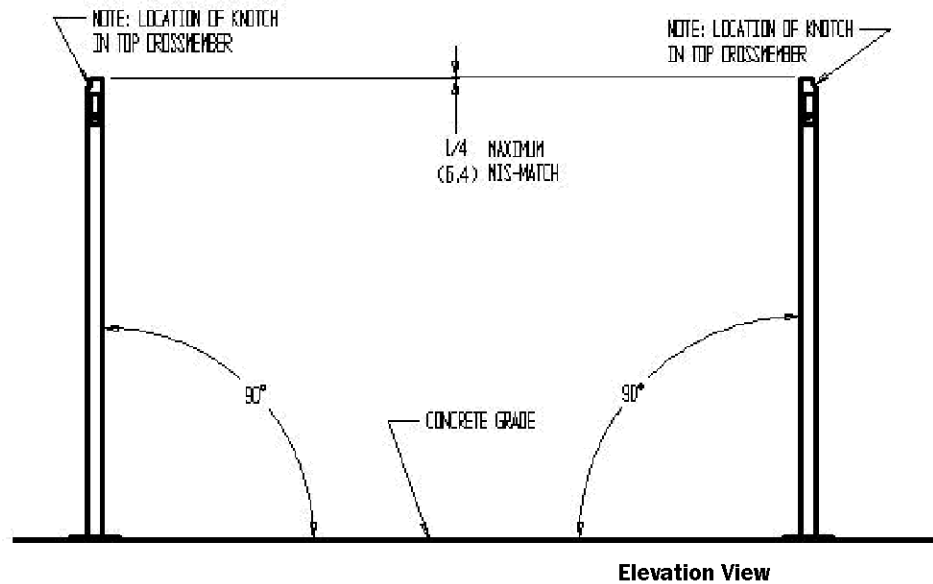
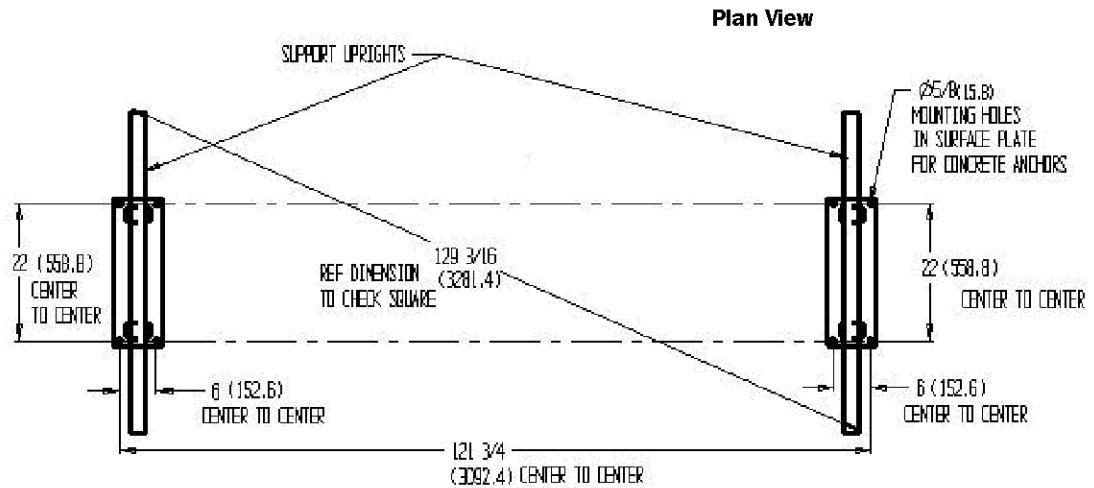


# Instructions

Assembly  
Installation  
Operation

## Wellspring™ Shade Structure

1. Anchor the uprights with the surface mount plates as shown:

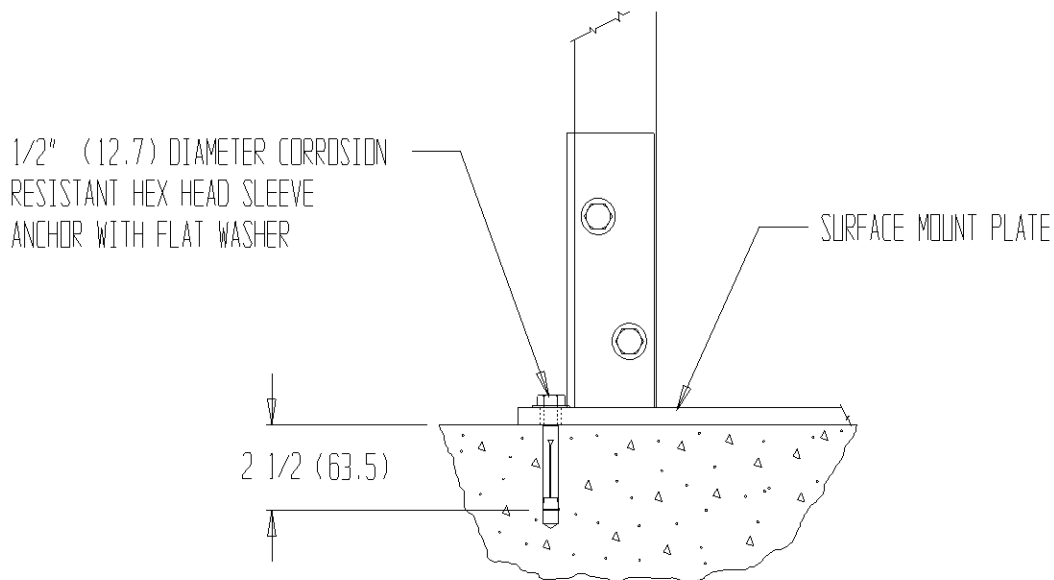


**Bolt Pattern Layout for Supports**

# Instructions

Assembly  
Installation  
Operation

## Anchor Mounting Detail



The Shade Structure is to be installed on a concrete surface only - minimum thickness of 6".

### Mounting Hardware:

No hardware included.

1. **Note:** *Landscape Forms is not responsible for footing or slab installation.*

**Note:** *Installation on an unknown pre-existing concrete is not recommended.*

2. Place unit in desired position.  
**Note:** *DO NOT DRAG supports across concrete or other rough surfaces. This could damage the powder coat on the bottom of the base plates.*
3. Position the supports per layout detail on the previous page, and mark anchor locations through holes provided in the base plates.
4. Move unit to allow access for drilling holes.
5. Although anchoring procedure and hardware are the responsibility of the installer, Landscape Forms suggests using corrosion resistant 1/2" diameter hex head sleeve anchors (sometimes called bolt anchors). See Anchor Mount Detail on the previous page.
6. Drill holes, at marked positions.
7. Blow the holes clear of debris and dust using compressed air.
8. Place unit in desired position and install the sleeve anchors. Tighten as recommended by anchor manufacturer.
9. Periodically check fasteners and tighten if required.

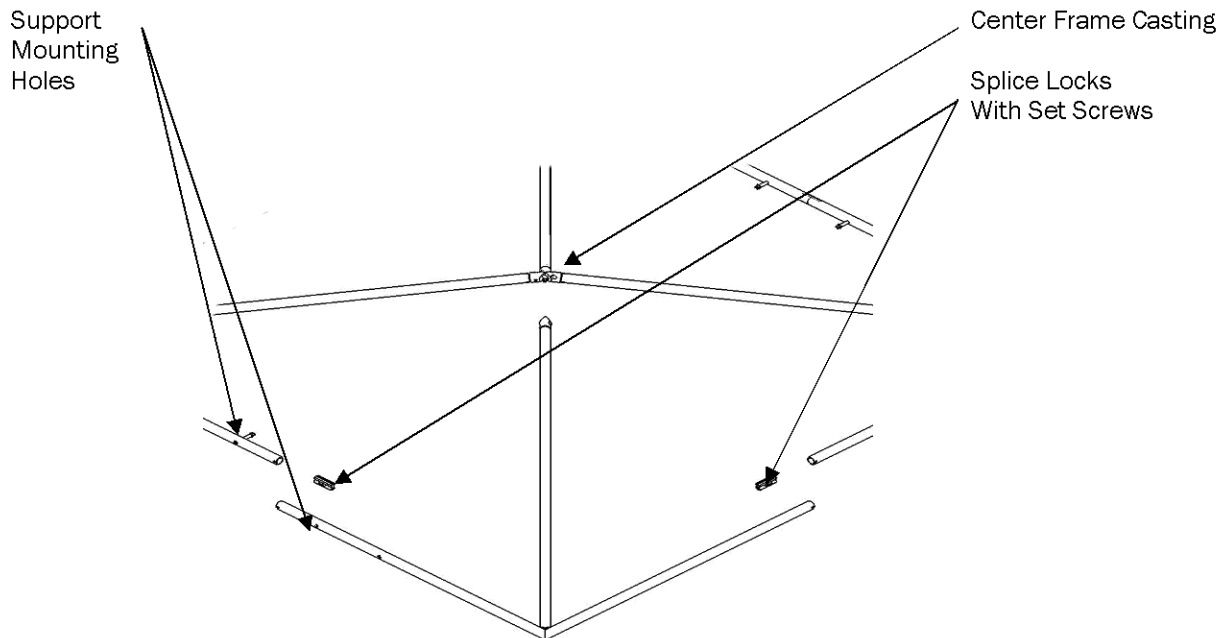
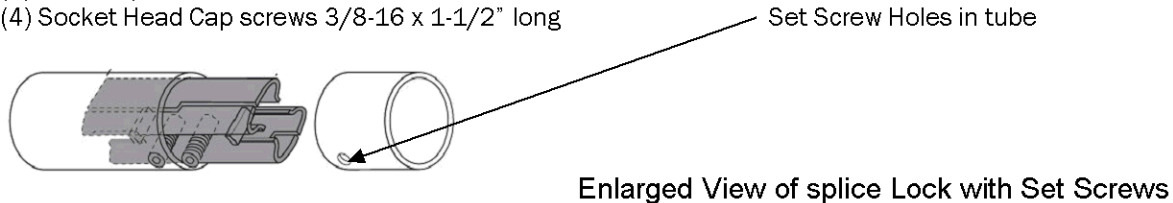
# Instructions

Assembly  
Installation  
Operation

## 2. Assemble the aluminum frame.

### Mounting Hardware:

- (4) Frame splice lock connectors with set-screws
- (4) Socket Head Cap screws 3/8-16 x 1-1/2" long



1. Position the 4 aluminum frames as shown on packing foam or other non-marking surface. - Note the location of support mounting holes as shown.

**Note:** DO NOT DRAG aluminum frame across concrete or other rough surfaces. This could damage the powder coat.

2. Slide the splice locks into one end of the frame tubing at each intersection and start the set screws into the splice locks, do not fully tighten at this time.
3. Slide the 4 frame units together and install the remaining set screws into the other half of the splice locks, do not tighten at this time.
4. Using the 3/8" x 1-1/2" long socket head cap screws bolt the center frame castings together, do not fully tighten at this time.
5. Tighten all the set screws in the splice locks to 10 ft/lbs.
6. Tighten the socket head cap screws on the center castings to 10 ft/lbs.
7. Periodically check fasteners and tighten if required.

# Instructions

Assembly  
Installation  
Operation

### 3. Assemble the aluminum frame to the anchored uprights

**Mounting Hardware:**

(8) 3/8" x 4" long Flat head screws

(8) 3/8" flat washers

(8) 3/8" lock-nuts

At least two or three people will be needed for assembly, as well as a step ladder.

1. *Note: DO NOT DRAG aluminum frame across concrete or other rough surfaces. This could damage the powder coat.*
2. Lift the aluminum frame onto the uprights and align the (4) mounting holes in the frame with the support holes in the wood uprights.
3. Install the flat head screws through the aluminum frame and place the flat washers and lock-nuts on screws. (Note the washers and lock-nuts to be on the inside of the supports against the wood cross member)
4. Tighten all the screws to 15 ft/lbs.
5. Periodically check fasteners and tighten if required.

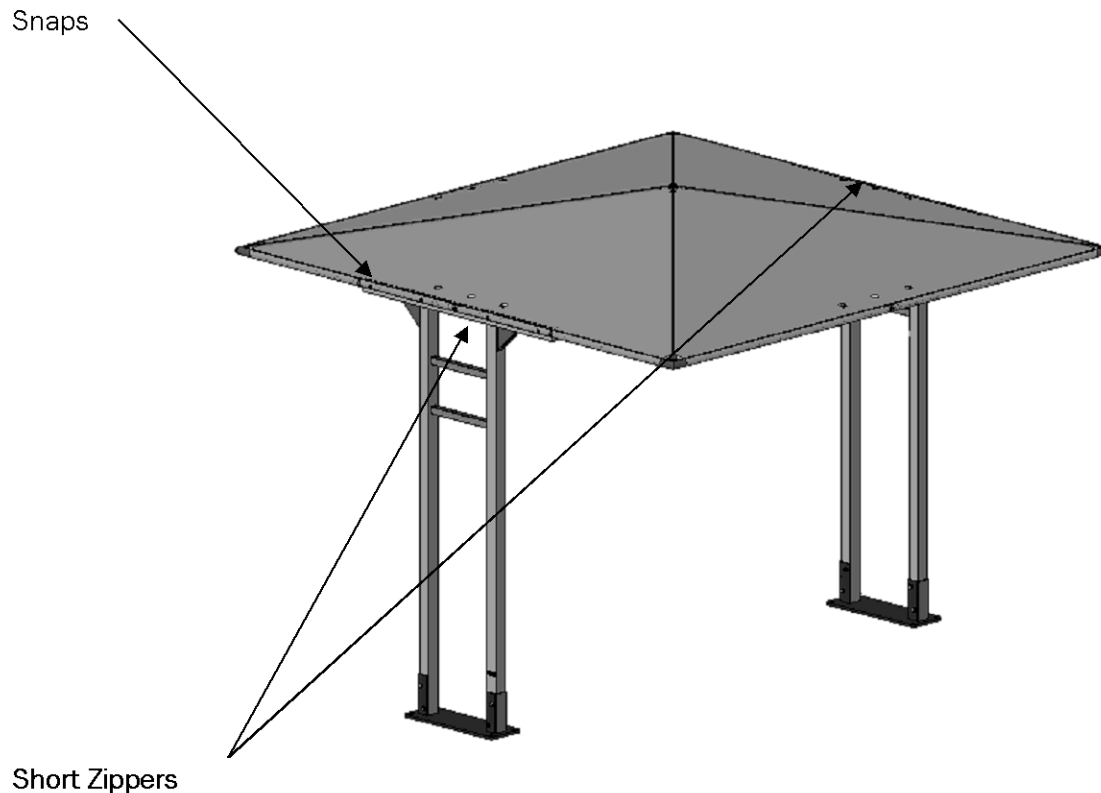
# Instructions

Assembly  
Installation  
Operation

## 4. Installing the Sunbrella Cover

At least two or three people will be needed for assembly, as well as a step ladder.

1. Remove the cover from the packaging on a clean non- abrasive surface. Make sure that the all zippers are unzipped position and the Velcro loops are open.
2. Place the cover over the aluminum frame, the sides with the (2) short zippers and snaps go on the support ends.
3. Stretch the cover over the aluminum frame and start all the zippers about 2" inches make sure that the cover is square on the frame and then finish zipping the zippers.
4. Fasten the Velcro loops around the frame, the zipper tabs, and then snap the flaps onto the support tubes as shown.
5. To remove cover, reverse this procedure.



landscapeforms®

Page 7 of 7

431 Lawndale Avenue, Kalamazoo, MI 49048  
PH: 800.521.2546, PH: 269.381.0396, FX: 269.381.3455