

ASSEMBLE WITH CARE! Pangard II® Polyester Powdercoat is a strong, long-lasting finish. To protect this finish during assembly, place unwrapped powdercoated parts on packaging foam or other non-marring surface. Do not place or slide powdercoated parts on concrete or other hard or textured surface – this will damage the finish causing rust to occur. Use touch-up paint on any gouges in the finish caused by assembly tools.

Tabletop Assembly:

1. Place table top upside down on nonmarring level surface.
2. Place table support upside down on table top and align holes.
 - For Quad Support, place table support “A” (has 5” ring at center) upside down on table top and align holes. Loosely fasten support to table top with screws provided. (Marneaux® requires one screw at the end hole in each plate.) Hold table support “B” upside down and carefully lower it over support “A” so bar on “B” fits into notch on “A”. Loosely fasten support “B” to table top.

The use of power drivers is not recommended. Threads or threaded inserts may be damaged or broken due to over-torquing.

3. Install hardware. Tighten all table top fasteners until snug, then tighten additional 1/4 turn.
4. Turn table right side up using at least two people.

Included Components

- (1) Tabletop
- (1) Table Support (parts ‘A’ and ‘B’ for Quad Support)
- For Catena or Steelhead table top: (4) 1/4-20 x 3/4” Phillips truss head tapping screws
- For Marneaux® table top: (4) 1/4 - 20 x 5/8” Phillips machine screws with washers

For umbrella option: Any Landscape Forms’ umbrella secures directly to all table supports. Additional umbrella surface mount stand is not required for use with tables.

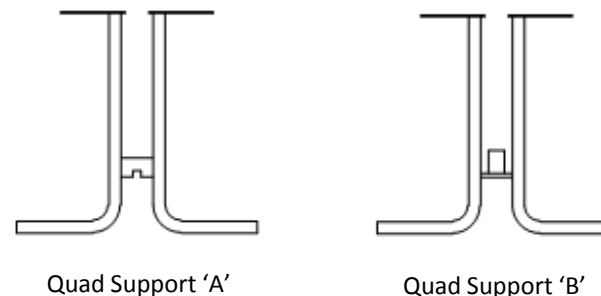
- With 18” Catena support: (1) 1/4-20 x 2-3/4” Phillips pan head machine screw and (1) lock nut
- With Quad support: (1) 1/4-20 x 2-1/4” Phillips pan head machine screw and (1) lock nut
- All other supports: (1) 1/4-20 x 3-1/4 Phillips pan head machine screw and (1) lock nut

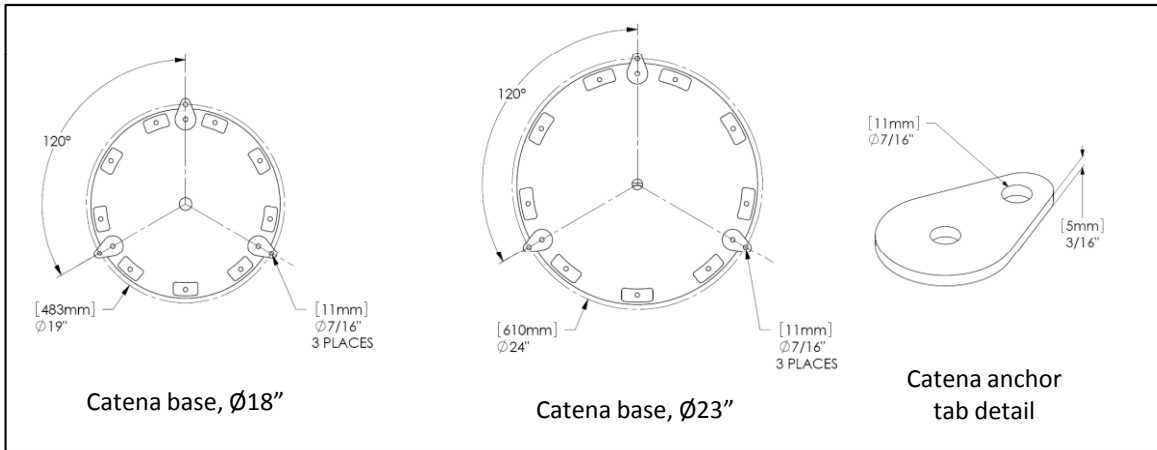
Note:

- For Catena Support Option: Use Ø18” support for 24” and 30” tables. Use Ø23” support for all others.
- For Quad Support Option: Use 20” quad support with Ø24” and Ø30” tables. Use 30” quad support with all others.

Tools Required

- For Catena, Steelhead, or Marneaux® table top: #3 Phillips screwdriver
- For umbrella option: #3 Phillips screwdriver and 7/16” wrench
- For all Surface Mount Support options: non-corrosive anchoring hardware is not included.
 - Single Surface Mount support requires (3) anchors, maximum Ø3/8” [9mm]
 - Quad Surface Mount Support requires (4) anchors, maximum Ø3/8” [9mm]
 - Catena Surface Mount Support requires (3) anchors, maximum Ø3/8” [9mm]





Surface Mount Installation:

1. Place unit in desired position.
2. Mark the holes.
3. Move the unit and drill the holes.
4. Place unit in position and install with anchors according to anchor manufacturer's recommendations.

Recommended hardware:

Although installer is responsible for anchoring procedure and hardware, we suggest the following:

For poured concrete installation:

- 3/8" diameter wedge or sleeve type expansion anchor at least 3" long, or 3/8"-16 x 4" threaded anchor rod with anchoring adhesive

For paver installation:

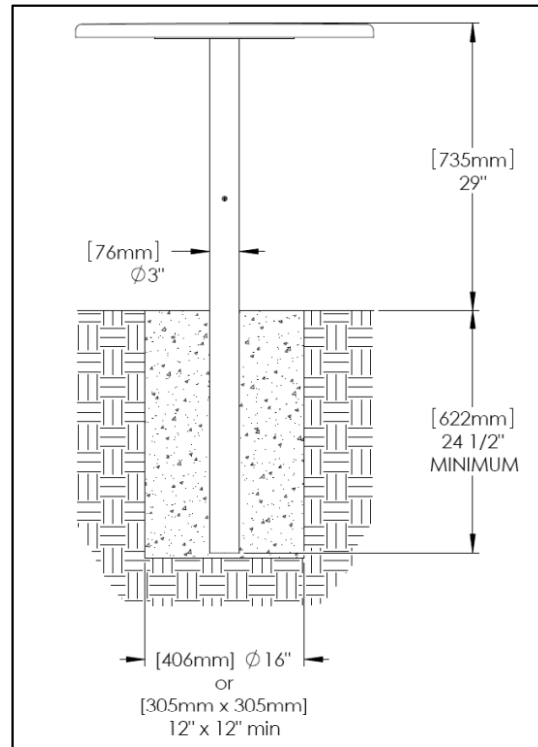
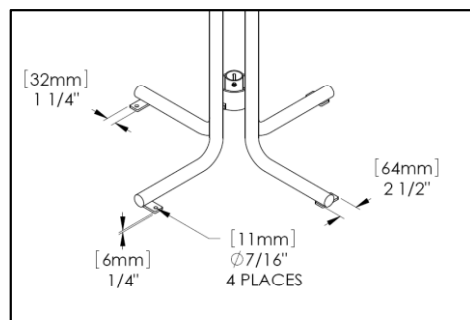
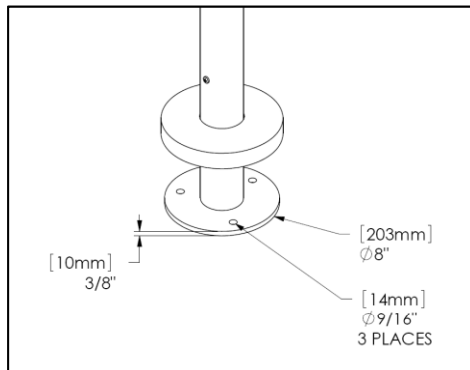
- If pavers are installed over poured concrete, use 3/8" diameter wedge type expansion anchor with enough length to go through brick and into concrete

For wood deck installation (at least 2" nominal thickness):

- 3/8" hex head lag screw at least 2" long

If using wedge anchors, install anchor leaving approximately 3/4" (1" for single surface mount support) thread protruding from surface. Place unit in position, install hex nut with washer and tighten carefully to avoid marring finish.

If using lag screws, place unit in position, install lag with washer and tighten carefully to avoid marring finish.



Umbrella Assembly:

1. To install umbrella, slide umbrella pole through hole in table.
 - For Quad Support, slide umbrella pole through hole in table and into tube on support "B".
2. Align holes in base tube and umbrella pole. Insert long 1/4-20 machine screw and secure with lock nut.

CAUTION: Do not let go of the umbrella until the pole has been secured.

WARNING! 24" and 30" tables with umbrellas must be surface mounted.