

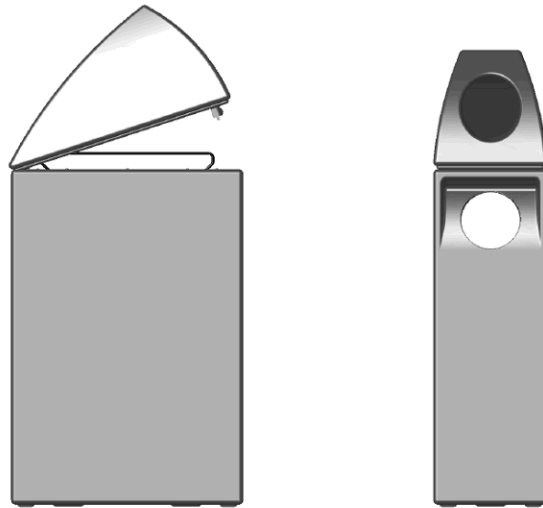
Instructions

Assembly
Installation
Operation

1/2010

Sort Freestanding/Surface Mount Recycle Litter Receptacle

Product Components: Unit will arrive assembled - freestanding unit is ready to set in place.



To Open: Face litter receptacle opening, reach inside the lid and lift. If equipped with lock, make sure it is unlocked then lift the lid.

Recommended Procedure for Surface Mounting Sort Recycle System, Bin(s) Only:

1. Place Sort unit(s) in desired location. We recommend concrete surfaces for surface mounting.
2. Remove the lids on each litter assembly to access the anchor holes at the bottom of each bin.
3. Mark drill hole locations through anchor holes provided in bottom of bin.
4. Move unit to allow access for drilling holes.
5. Drill holes at marked locations following all installation instructions from anchor manufacturer. Note: We recommend anchor bolts be no larger than 3/8" diameter. Non-corrosive anchoring hardware is also recommended.
6. Although anchoring procedure and hardware is the responsibility of the installer, Landscape Forms suggests the following options:
 - Poured concrete: Use drop-in type wedge anchors made for 3/8" hex head bolts, or use a sleeve type expansion anchor. (See Figure 1)
 - Pavers: If pavers are installed over poured concrete, use drop-in type wedge anchors made for 3/8" hex head bolts with enough length to go through brick and into concrete.

Instructions

Assembly
Installation
Operation

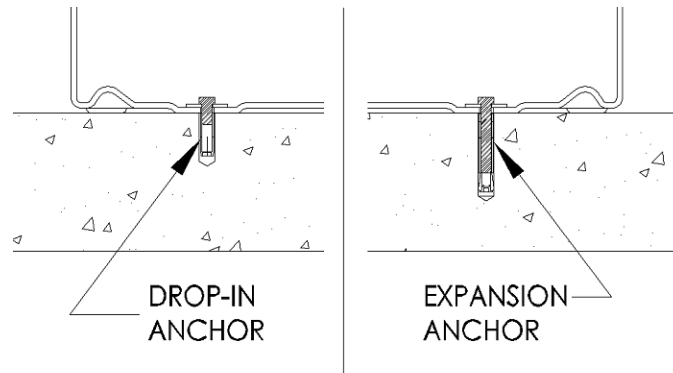


Figure 1

Recommended Procedure for Surface Mounting Sort Recycle System with Organizer Basket:

1. Place Sort recycle system in desired location. We recommend concrete surfaces for surface mounting.
2. Remove the lids on each bin assembly to access the 3/8" bolts at the bottom of each bin.
3. Unbolt and remove each bin from the basket.
4. Mark drill hole locations through the anchor tabs provided on wire basket. (See Figure 2)

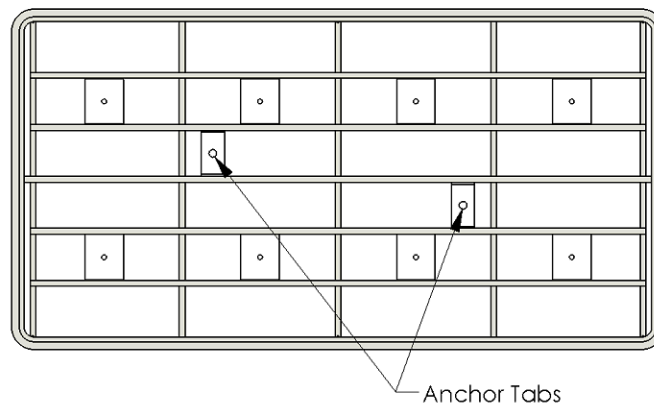


Figure 2

5. Move unit to allow access for drilling holes.
6. Drill holes at marked locations following all installation instructions from anchor manufacturer. Note: We recommend anchor bolts be no larger than 3/8" diameter. Non-corrosive anchoring hardware is also recommended.
7. Although anchoring procedure and hardware is the responsibility of the installer, Landscape Forms suggests the following:
 - Poured concrete: Use (2) drop-in type wedge anchors made for 3/8" hex head bolts. (See Figure 3)
 - Pavers: If pavers are installed over poured concrete, use (2) drop-in type wedge anchors made for 3/8" hex head bolts with enough length to go through brick and into concrete.

Instructions

Assembly
Installation
Operation

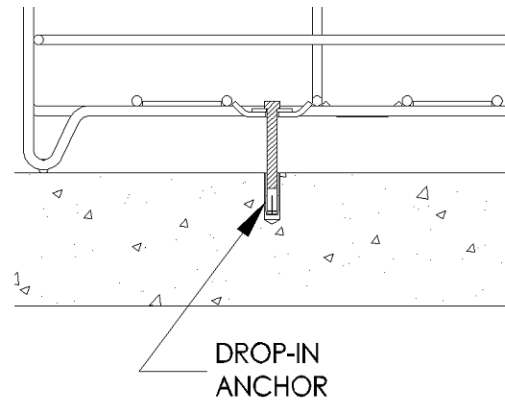


Figure 3

8. Reinstall bins into basket and secure with the provided 3/8" bolts.

Recommended Procedure for Using Trash Bags:

1. It is recommended to use 33 gallon and 55 gallon trash bags for the 25 gallon and 50 gallon bins, respectively.
2. Bins are intended to be used with bags. Bag hangers are factory installed for this purpose. To install the bag, remove the lid. After draping the bag around the bag hangers, tuck the excess bag into the bin through the sides of the bag hangers. Replace the lid, ensuring that the bag hangers are inside the lid and the bag is not visible.



ASSEMBLE WITH CARE! Pangard II® Polyester Powdercoat is a strong, long-lasting finish. To protect this finish during assembly, place unwrapped powdercoated parts on packaging foam or other non-marring surface. Do not place or slide powdercoated parts on cement or other hard or textured surface – this will damage the finish causing rust to occur. Use touch-up paint on any gouges in the finish caused by assembly tools.