

Instructions

Assembly
Installation
Operation

7/2007

Sonoma™ Bench

Hardware:

Hardware required to surface mount bench is supplied by others.

Tools required:

For surface mount option only:

- 1/2" Socket and ratchet.
- Pencil or marker.
- Hammer drill.
- Air compressor or compressed air tank.

Embedding Support:

See following pages for footing recommendations.

Recommended Procedure for Surface Mounting:

See following pages for footing and slab recommendations.

1. Prepare proper footing or slab as required.
Note: *Landscape Forms is not responsible for footing or slab installation.*
2. Place unit in desired position.
Note: *DO NOT DRAG bench across concrete or other rough surfaces. This could damage the powdercoat on the bottom of the base plates.*
3. Mark anchor locations through holes provided in the base plates.
4. Move unit to allow access for drilling holes.
5. Although anchoring procedure and hardware are the responsibility of the installer, Landscape Forms suggests using corrosion resistant 3/8" x 3" hex head sleeve anchors (sometimes called bolt anchors), See Anchor Mount Detail on the following page.
6. Drill 3/8" diameter holes, approximately 3" deep, at marked positions.
7. Blow the holes clear of debris and dust using compressed air.
8. Place unit in desired position and install the sleeve anchors. Tighten as recommended by anchor manufacturer.
9. Periodically check fasteners and tighten if required.

ASSEMBLE WITH CARE! Pangard II® Polyester Powdercoat is a strong, long-lasting finish. To protect this finish during assembly, place unwrapped powdercoated parts on packaging foam or other non-marring surface. Do not place or slide powdercoated parts on cement or other hard or textured surface – this will damage the finish causing rust to occur. Use touch-up paint on any gouges in the finish caused by assembly tools.

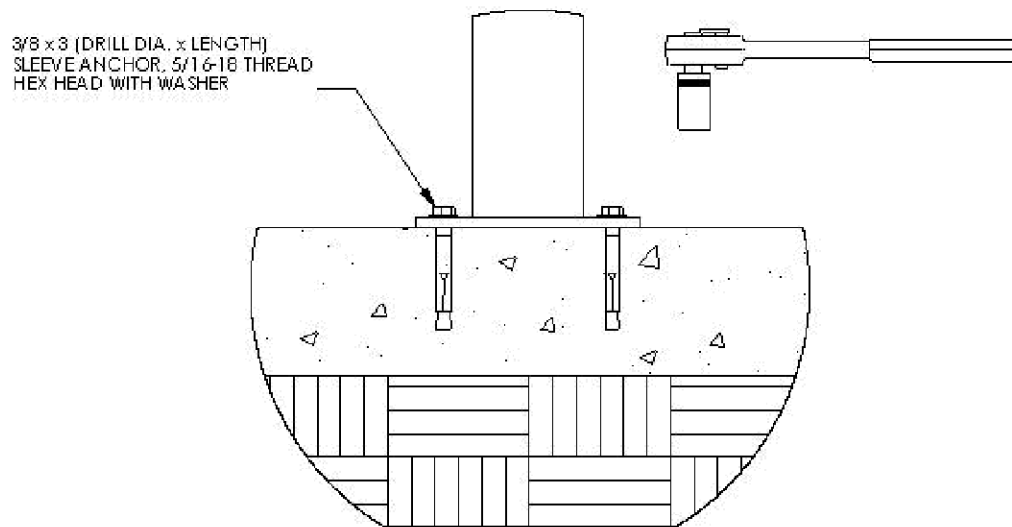
landscapeforms®

Page 1 of 3

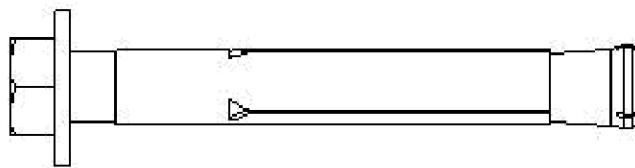
431 Lawndale Avenue, Kalamazoo, MI 49048
PH: 800.521.2546, PH: 269.381.0396, FX: 269.381.3455

Instructions

Assembly
Installation
Operation



Anchor Mount Detail

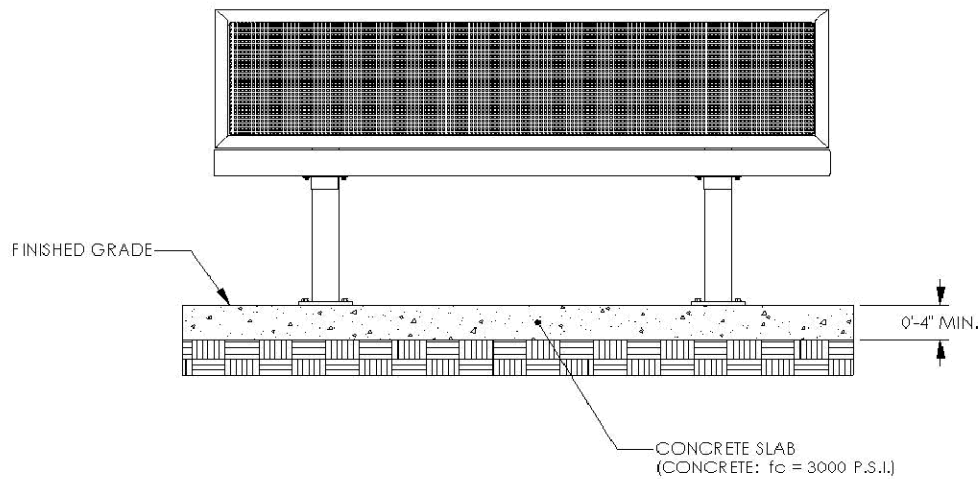


**Recommended Hardware: Stainless Steel 3/8" x 3" Sleeve Anchor;
Hex Head with Washer
(Actual Size)**

Instructions

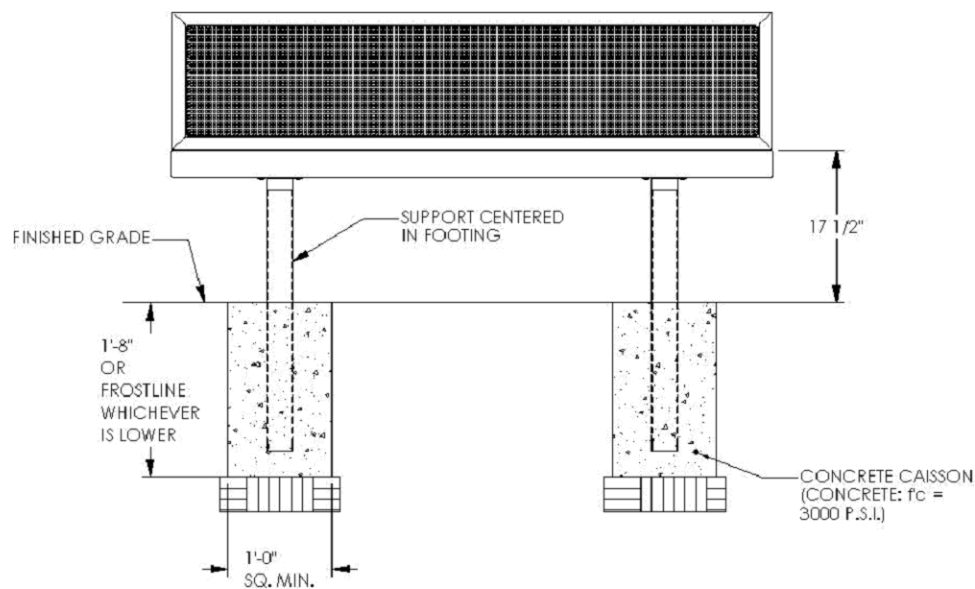
Assembly
Installation
Operation

Surface Mount Detail



Recommended Installation Detail for Surface Mounting on Concrete Slab

Embedded Mount Detail



Recommended Caisson Footing

landscapeforms®

Page 3 of 3