

# Instructions

Assembly  
Installation  
Operation

11/2009

## REST™ Bench

Benches come fully assembled

Place Freestanding Benches in desired location on a hard, level surface

### Recommended Procedure for Surface Mounting

Bench includes surface mount hardware when specified, the hardware pack includes:

#### Hardware:

- (2) - Surface Mount Bolt
- (2) - 1/4-20 X 1.00 Set Screws (for Backed Benches only)
- (2) - 1/4-20 X 1.50 Set Screws (for Backless Benches only)
- (1) - Washer / Spacer

#### Necessary Tools:

- Hammer Drill with masonry bits
- Socket wrench or hammer for anchoring hardware
- 3/16" Hex Wrench
- 1/8" Hex Wrench
- Blanket or other padded material

1. Prepare proper footing or slab as required.

**Note:** Installation on an unknown pre-existing concrete is not recommended. Landscape Forms is not responsible for footing or slab installation. Landscapeforms recommends that concrete be reinforced and rated at 3,000 PSI minimum and has at least 28 days of curing before installing benches

2. Using padding to protect the surface finish, turn bench upside-down. Install a surface mount bolt and set screw in each support as shown in [Figure 1](#).
3. Tighten the set screw with just enough force to hold the surface mount bolt in place
4. Turn bench over and place in desired position.

**Note:** DO NOT DRAG bench across concrete or other rough surfaces. This could damage the powdercoat on the bottom of the base plate.

Using the surface mount bolts as guides, mark the two anchor hole locations.

5. Move unit to allow access for drilling holes and remove the Surface Mount Bolt from each support.
6. Although anchoring procedure and hardware are the responsibility of the installer, Landscape Forms suggests using corrosion resistant Sleeve-Bolt or Taper-Bolt type threaded anchors. The supplied surface mount bolt has a 5/8-11 thread, the concrete anchor must match this thread size.
7. Drill for the anchors at the marked positions per anchor manufacturers instructions.
8. Blow the holes clear of debris and dust using compressed air.
9. Install the anchors into the drilled holes and set the threaded portion into the concrete per the anchor manufacturers' recommended installation procedure. Remove any tools used to set the anchor, leaving only the threaded portion of the anchor in the holes
10. Thread the Surface Mount bolts into the concrete anchors. Use the supplied washer as a height gage for the Surface Mount bolt. The top of the threaded portion of the surface mount bolt should be flush with the top of the washer. [See Figure 2](#). Remove and discard the washer after setting the height of both Surface Mount Bolts.
11. Place the bench over the Surface Mount Bolts and verify that the rubber pads on the supports are sitting firmly on the hard surface. Do not allow the weight of the bench to sit on top of the surface mount bolt as this will cause damage.
12. Using a 1/8" hex wrench, fully tighten the set screws. Gently lift up on the ends of the bench to verify proper mounting.

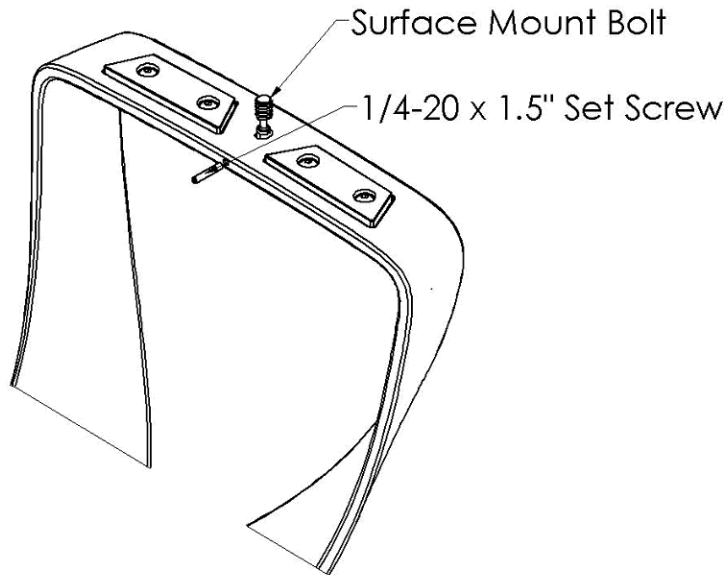
**ASSEMBLE WITH CARE!** Pangard II® Polyester Powdercoat is a strong, long-lasting finish. To protect this finish during assembly, place unwrapped powdercoated parts on packaging foam or other non-marring surface. Do not place or slide powdercoated parts on cement or other hard or textured surface – this will damage the finish causing corrosion to occur. Use touch-up paint on any gouges in the finish caused by assembly tools.

landscapeforms®

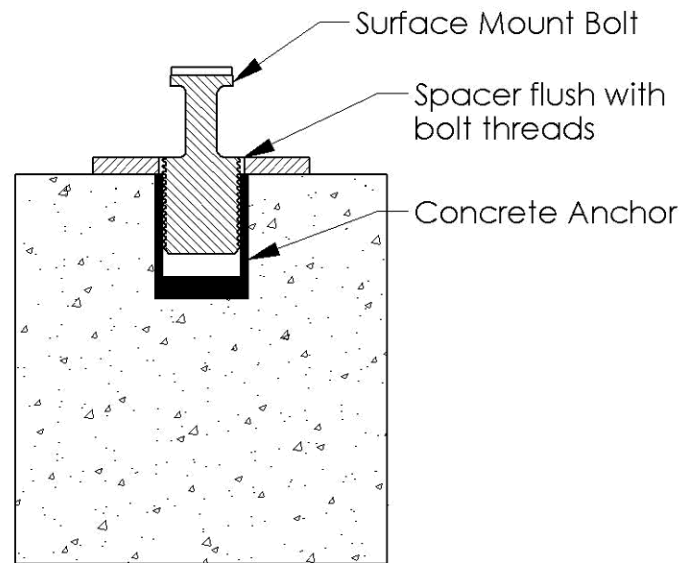
Page 1 of 3

# Instructions

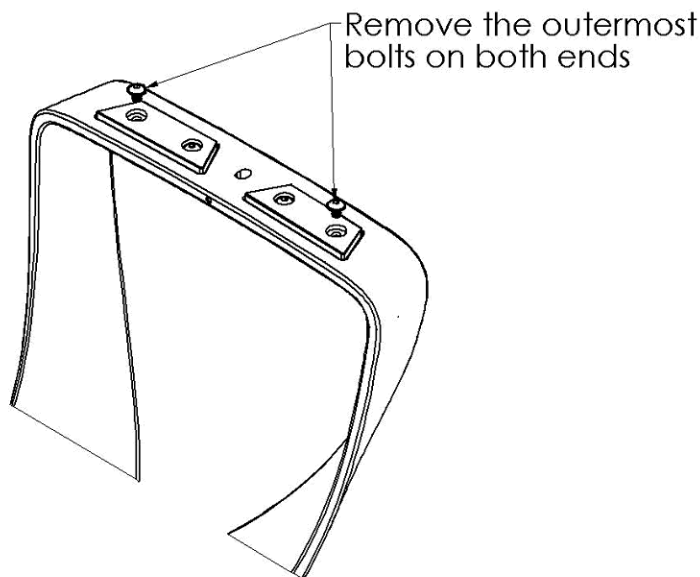
Assembly  
Installation  
Operation



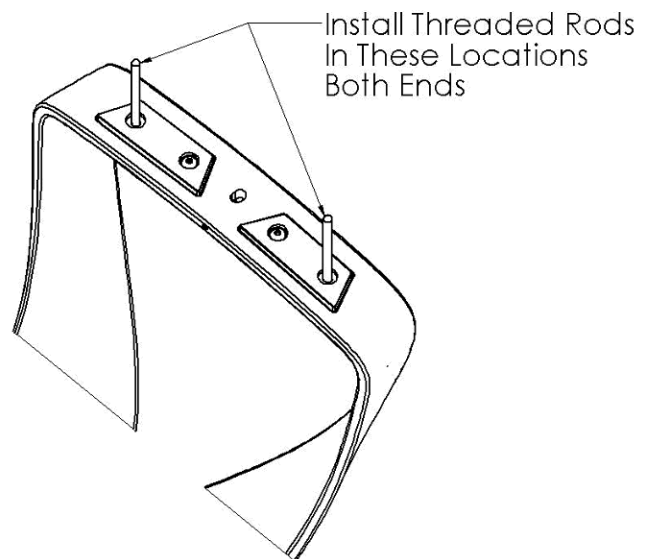
**Figure 1** -Surface Mount Bench Preparation



**Figure 2** - Surface Mount Bolt Installation



**Figure 3** -Embedded Mount Bench Preparation



**Figure 4** -Embedded Mount Bench Anchor Rod Installation

# Instructions

Assembly  
Installation  
Operation

## Recommended Procedure for Embedded / Permanent Mounting

**CAUTION – After mounting the REST™ bench following this procedure, the bench cannot be moved without permanent damage.**

Bench includes an embedded mount hardware when specified, the hardware pack includes:

**Hardware:**

(4) – 3/8-16 x 5" Threaded Rod

**Necessary Tools:**

Hammer Drill with 3/4" masonry bit

Blanket or other padded material

7/32" Hex Wrench

1. Using padding to protect the surface finish, turn bench upside-down to access the bottom of the supports
2. Using a 7/32" hex wrench, remove the four outermost glide retaining bolts as shown in [Figure 3](#).
3. Replace the bolts with the threaded rods, [see Figure 4](#)
4. Place bench in desired location and mark the threaded rod locations
5. Drill Ø 3/4" holes in the marked locations minimum 5" deep. Use compressed air to remove as much debris from the holes as possible.
6. Set the bench with the threaded rods into the mounting holes. Make sure bench is resting with all 4 glides sitting on the concrete surface. If the bench is resting on the threaded rods, remove and drill deeper holes. Remove bench and set aside.
7. Use one of the following adhesives, supplied by others:
8. Powers Fasteners AC100 PLUS™. This gray colored adhesive is available in 8, 12, and 30 oz. tubes, and may be used at temperatures from 0° to 104 °F. Contact the manufacturer at 914-235-6300 or [www.powers.com](http://www.powers.com) for distributor and technical information.
9. Hilti HIT RE 500 This red colored adhesive is available in 11.1 and 37 oz. tubes and may be used at temperatures from 23° to 104 °F. Contact the manufacturer at 800-879-8000 or [www.us.hilti.com](http://www.us.hilti.com) for distributor and technical information.
10. Follow the manufacturer's instructions for dispensing adhesive. Fill the holes from the bottom up to avoid air pockets. Fill to a level 1" from the top of each hole. (The adhesive level should rise to the top of the hole as the rod is set in place.)
11. Set the bench with the threaded rods into the mounting holes. Make sure bench is resting with all 4 glides sitting on the concrete surface. If the bench is resting on the threaded rods, remove immediately and drill deeper holes in the concrete.
12. Allow bench to sit undisturbed until adhesive fully cures

**ASSEMBLE WITH CARE!** Pangard II® Polyester Powdercoat is a strong, long-lasting finish. To protect this finish during assembly, place unwrapped powdercoated parts on packaging foam or other non-marring surface. Do not place or slide powdercoated parts on cement or other hard or textured surface – this will damage the finish causing rust to occur. Use touch-up paint on any gouges in the finish caused by assembly tools.