

Instructions

Assembly
Installation
Operation

10/2008

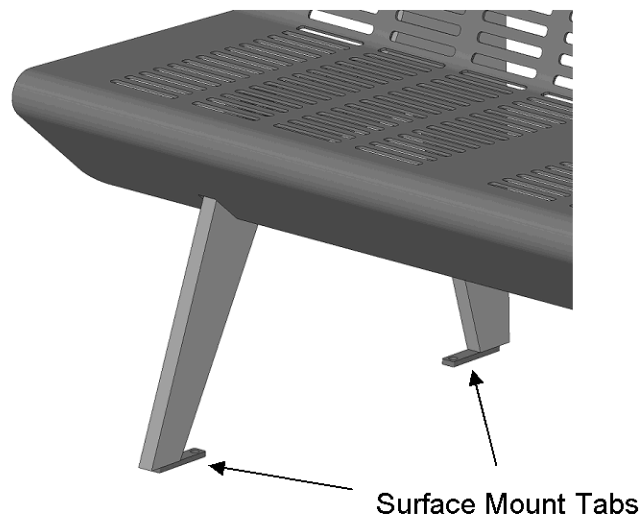
Redline® Bench

HANDLE WITH CARE! Pangard II® polyester powder coat is a strong, long-lasting finish. Protect this finish from damage during installation. Place unwrapped powder coated parts on packaging foam or other non-abrasive surface. Do not place or slide powder coated parts on concrete or other hard or abrasive surfaces – this will damage the finish causing corrosion to occur. Use touch-up paint to repair any finish abrasions.

Recommended procedure for surface mounting:

Each bench is shipped with four mounting plates installed. Each plate can accept one anchor up to 3/8" in diameter. Although the anchoring procedure and hardware are the responsibility of the installer, we suggest the following:

1. Select corrosion resistant anchors appropriate for the surface. Your hardware store or builders supply may be able to recommend the proper hardware, tools, and safety equipment.
2. Check the screws that fasten the mounting plates to the bench and tighten if necessary.
3. Place the bench in the desired position.
4. Mark hole locations.
5. Move the bench to allow access for drilling holes.
6. Install the anchors and bench according to the anchor manufacturer's instructions.



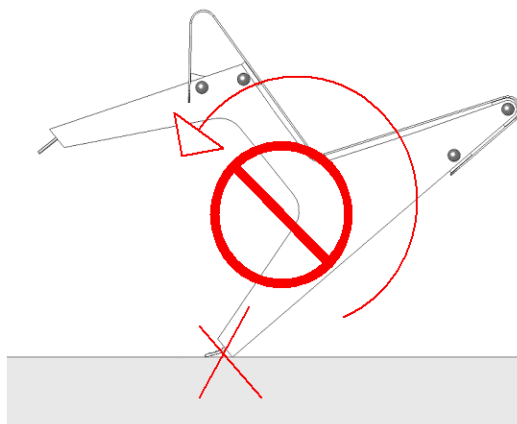
Instructions

Assembly
Installation
Operation

Recommended procedure for embedded mounting:

Each embedded bench is shipped with two 1/4"-20 threaded rods per support. For mounting to existing concrete, we recommend using an adhesive anchoring system (Hilti HIT RE 500 or Powers Fasteners AC100 PLUS™). These products may be used in wet or dry conditions. Gel and cure times vary with temperature. Each bench support requires approximately 1/4 ounce of adhesive. Although the anchoring procedure is the responsibility of the installer, we suggest the following:

1. Place the bench in the desired position.
2. Mark hole locations around installed bolt heads located on each foot.
3. Place bench upside down on non-marring material.
4. Remove hex bolts from each foot.
5. Locate and install two 1/4"-20 threaded rods in each support. Leave 2" of threaded rod sticking out of the support. DO NOT thread rods in until they bottom out.
6. Hammer drill 3/8" holes, 2-1/2" deep.
7. Clean holes carefully using a 1/2" diameter nylon brush and compressed air. For best results use a nozzle that reaches the bottom of the hole. Holes must be free of standing water or ice.
8. Follow the manufacturer's instructions for dispensing adhesive. Fill the holes from the bottom up to avoid air pockets. Fill to a level 3/4" -1" from the top of each hole. (The adhesive level should rise to the top of the hole as the bench is set in place.)
9. Pick up the bench and set in the installed position (requires 2 people). DO NOT ROLL THE BENCH OVER ON THE ANCHOR RODS. The weight of the bench on the two anchor rods will cause the rods to bend! Do not disturb the bench during the cure time.



10. Wipe away any spilled adhesive before it gels.

landscapeforms®

Page 2 of 2