

Instructions

Assembly
Installation
Operation

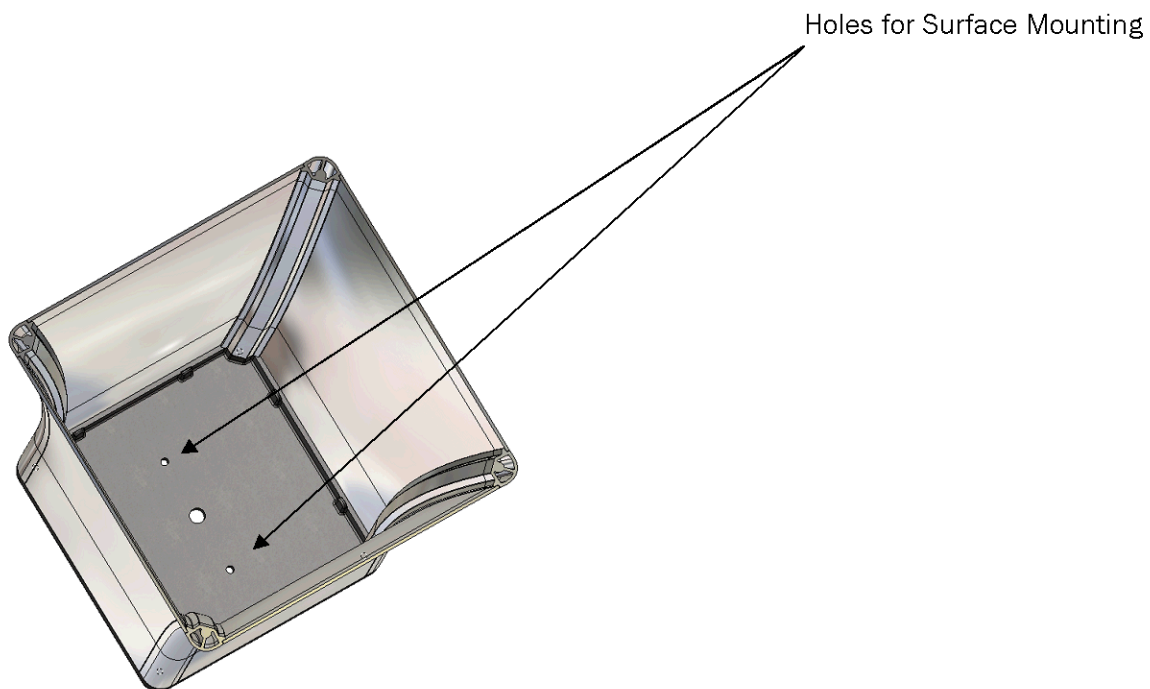
2/2008

Pitch Litter Receptacle

Recommended Procedure for Surface Mounting:

1. Freestanding/surface mount litter receptacle bases have two holes that will accommodate anchors 3/8" diameter or less. (The hole at the center is a drain hole.)
2. The installer is responsible for anchoring hardware suitable for site conditions. Corrosion resistant anchors are recommended. The receptacle should be surface mounted with nylon glides in place.
3. Place the unit in the desired position.
4. Remove the top and lift out the liner.
5. Mark anchor locations through the holes in the base.
4. Move the unit to allow access for drilling holes.
5. Complete the installation according to the anchor manufacturer's instructions.

HANDLE WITH CARE! Pangard II® Polyester Powder coat is a strong, long-lasting finish. Protect this finish from damage during installation. Place unwrapped powder coated parts on packaging foam or other non-abrasive surface. Do not place or slide powder coated parts on concrete or other hard or abrasive surfaces – this will damage the finish causing rust to occur. Use touch-up paint to repair any finish abrasions.



Instructions

Assembly
Installation
Operation

Recommended Procedure for Emptying Ash Pan:

The ash pan on Pitch litters consists of a removable funnel inside a removable bowl. To empty the ash bowl, proceed as follows:

1. Remove the funnel from the top of the bowl. Set the funnel on a non-marring surface to protect the finish. See Figure 2.
2. The bowl has 2 pins which interlock with the litter lid. The bowl must be rotated until the pins line up with the slots in the lid. See Figure 3.
3. Lift the bowl out of the lid and empty.
4. Reverse the procedure to re-assemble.

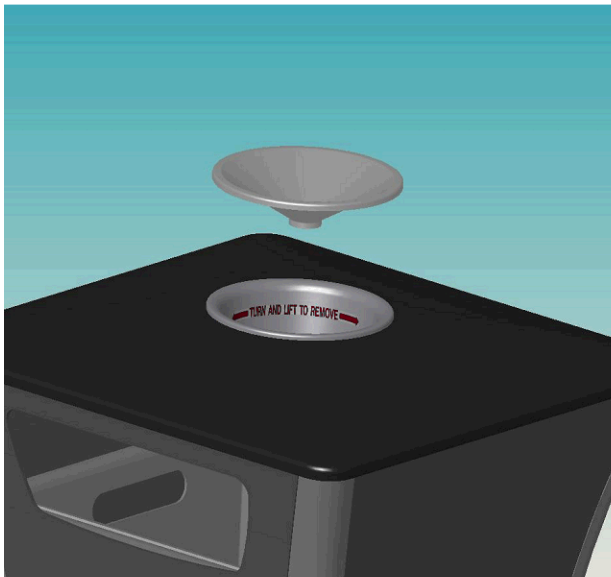


Figure 2 - Lift funnel straight up to remove

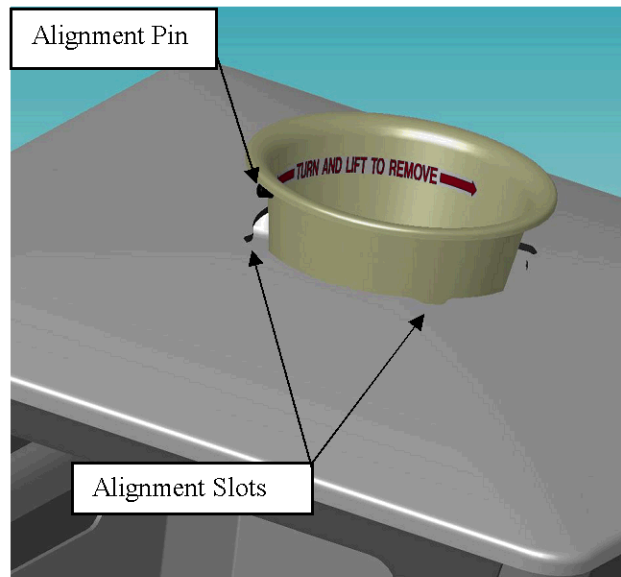


Figure 3 - Turn and lift bowl to remove and empty