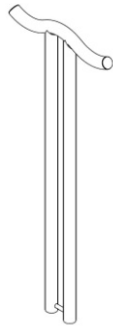


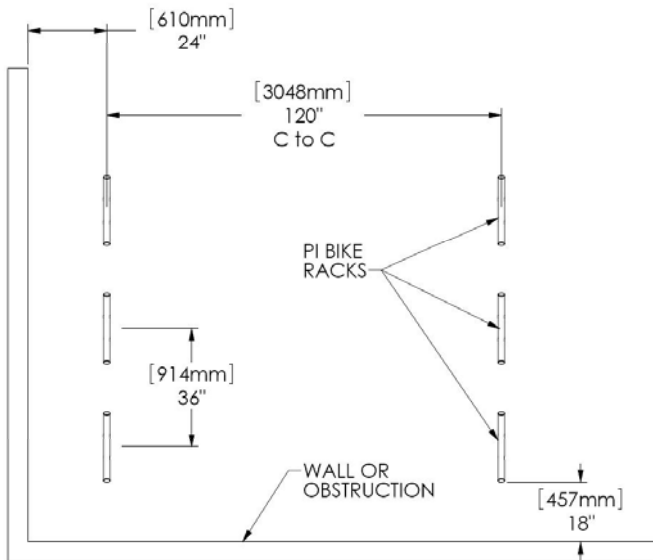
Surface Mount



Embedded

Tools Required

- Unit ships assembled
- Surface mount unit requires (4) 1/2" diameter non-corrosive anchors, not included.



Recommended spacing, according to Association of Pedestrian and Bicycle Professionals (APBP)

HANDLE WITH CARE! Pi's finish can be scuffed by contact with tools, concrete, or other abrasive surfaces. Protect the finish from damage during installation. Use touch-up paint to repair any powder coat finish abrasions.

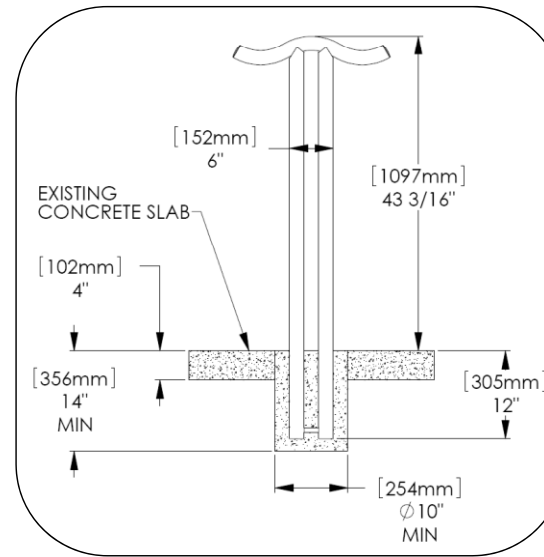


Fig. 1. - Embedded

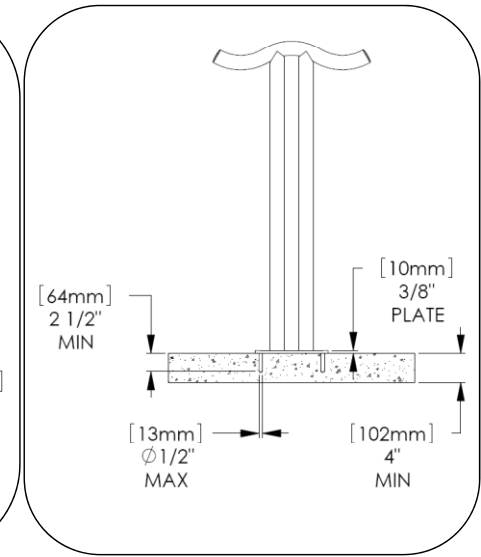


Fig. 2 – Surface Mount

EMBEDDED INSTALLATION:

1. Prepare hole as required for soil and frost conditions, minimum recommendations noted in Fig. 1.
2. Place the bike rack back into position and fill the holes with anchoring cement.
3. Brace unit until anchoring cement is set.

SURFACE MOUNT INSTALLATION:

1. Set unit in place and mark holes.
2. Move the unit and drill the holes, recommendations noted in Fig. 2.
3. Install the anchors and bike rack according to the anchor manufacturer's instructions.