

Instructions

Assembly
Installation
Operation

7/2007

NYNY STAINLESS STEEL BAR HEIGHT TABLE

Product Components:

Table assembly: Surface mount at grade or surface mount below grade

Hardware:

No mounting hardware included.

Tools Required:

- 1 1/16" socket and ratchet for surface mount at grade. (Acorn nut installation)
- 1 1/8" socket and ratchet for surface mount below grade. (Hex nut installation)

Installation:

Table is shipped assembled. Installation is to be done by customer or his agent in accordance with specifications of customer's architect and/or design professional. **Landscape Forms is not** responsible for site preparation or footing specifications. Corrosion-resistant anchor bolts **furnished by others**.

Recommended Procedure for Below Grade Surface Mounting and At Grade Surface Mounting:

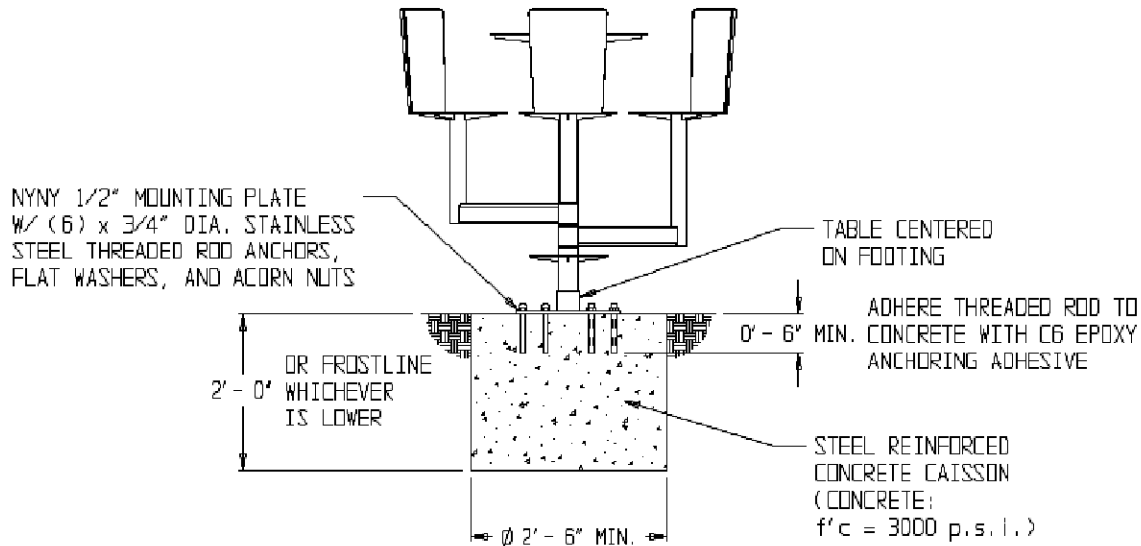
See following pages for general footing and slab recommendations.

1. Prepare proper footing or slab as required.
Note: *Installation on pre-existing concrete is not recommended. Landscape Forms is not responsible for footing or slab installation.*
2. Place unit in desired position.
Note: *DO NOT DRAG table across concrete or other rough surfaces.*
3. Mark anchor locations through holes provided in the base plate.
4. Move unit to allow access for drilling holes.
5. Although anchoring procedure and hardware are the responsibility of the installer, Landscape Forms suggests using corrosion resistant 3/4" threaded rod anchors and C6 epoxy anchoring system, See Installation Information on the following pages.
6. Drill 13/16" diameter holes, minimum 6" deep, at marked positions.
7. Blow the holes clear of debris and dust using compressed air.
8. Install threaded rod anchors with epoxy anchoring system. Allow to cure based on epoxy anchoring system manufacturer recommendations.
9. Place unit in desired position over anchors and install stainless steel mounting hardware. Tighten securely to prevent loosening.
10. Periodically check fasteners and tighten if required.

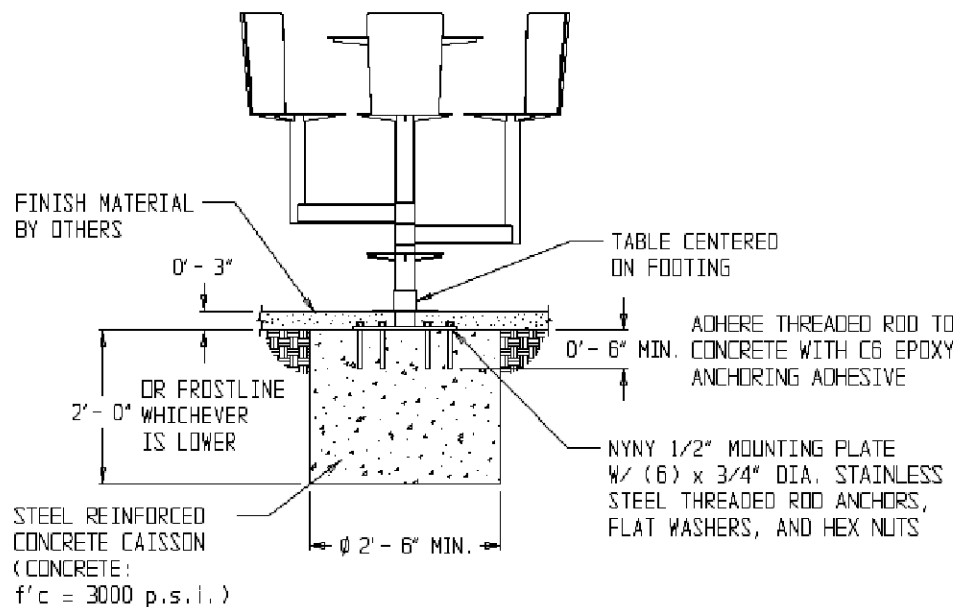
Instructions

Assembly Installation Operation

ASSEMBLE WITH CARE! To protect the finish during assembly, place unwrapped table on packaging foam or other non-marring surface. Do not place or slide table on cement or other hard or textured surface - this will damage the finish and may cause sharp burrs to occur.



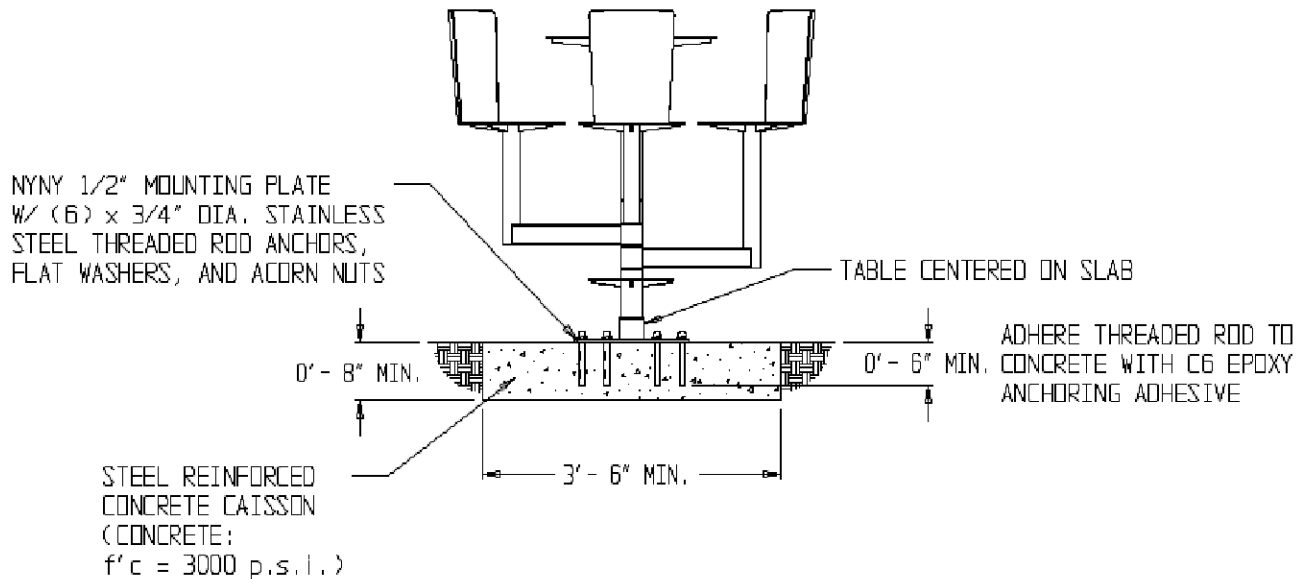
Recommended Caisson Footing for Surface Mounting at Grade



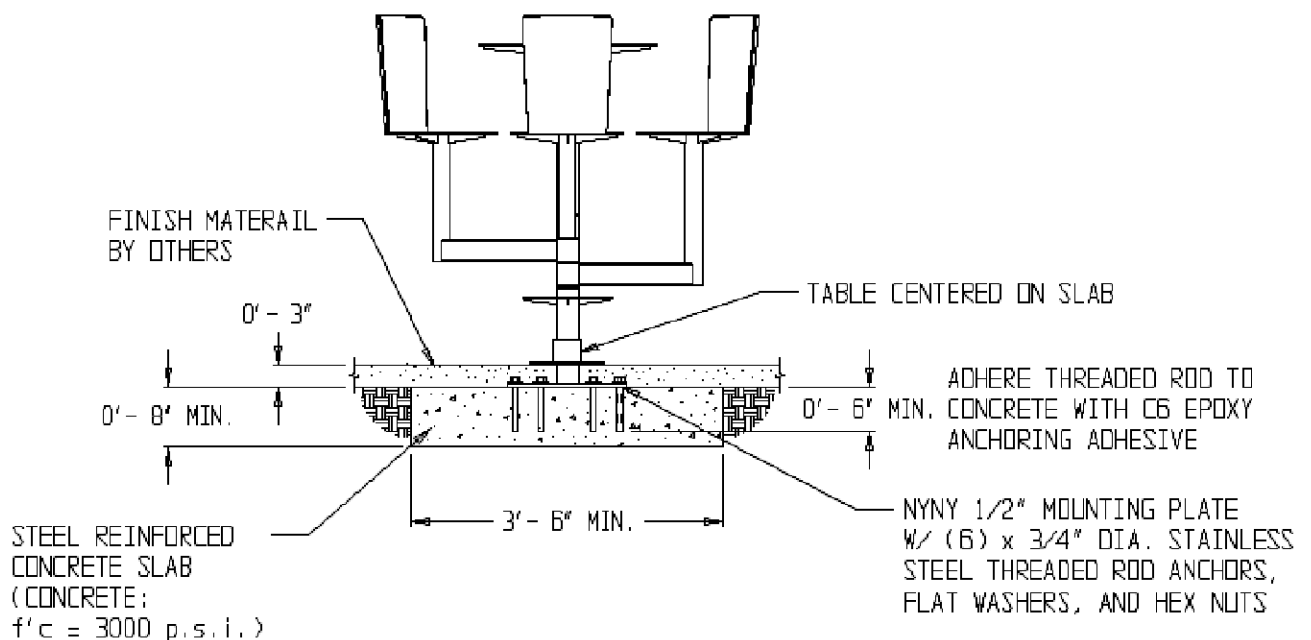
Recommended Caisson Footing for Surface Mounting Below Grade

Instructions

Assembly
Installation
Operation



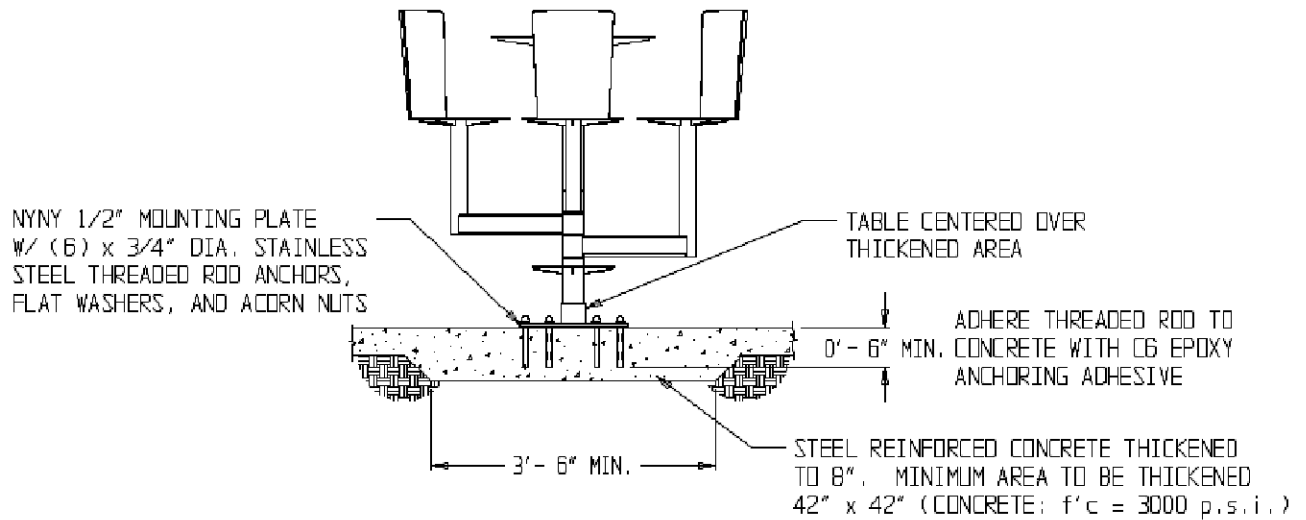
**Recommended Installation Detail for
Surface Mounting to New Slab at Grade**



**Recommended Installation Detail for
Surface Mounting to New Slab Below Grade**

Instructions

Assembly
Installation
Operation



Recommended Installation Detail for Mounting on New Sidewalk