

# Instructions

Assembly  
Installation  
Operation

7/2007

## Gretchen Picnic Table

### Components:

- (2) table/seat supports
- (1) Table top
- (2) Seats

### Hardware:

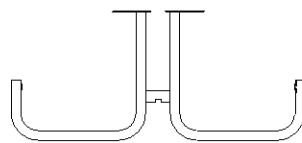
- (12) 1/4" x 3/4" Phillips self-tapping screws for table top
  - (4) 3/8-16 x 1-1/2" Hex head machine screw with washers for seats
  - (1) 1/4-20 x 2-1/4" Phillips head machine screw and lock nut for umbrella (sold separately)
- Glides for freestanding support or anchor tabs for surface mount support are factory installed

### Tools Required:

- #3 Phillips screw driver for table top
- 9/16" Wrench or socket and ratchet for tightening seat screws

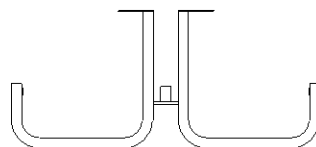
### Assembly:

1. Turn table top upside down on a non-marring surface. Foam shipping blocks work well.
2. Place support A (has 5" ring at center) upside down on table top. Insert 6 screws loosely.



SUPPORT "A"

3. Hold support B upside down and carefully lower it over support A. Place bar of support B into notch in ring on support A. Insert remaining 6 screws loosely.



SUPPORT "B"

4. Slip tubes on seat bottoms into the support tubes. Align support holes with the seat stem threaded hole and install the 3/8-16 hex head cap screws and washers.

**Note:** Screws are coated with dry thread locking compound that cures in 24 hours.

Wiggle seats and tighten as necessary until seat is securely fastened.

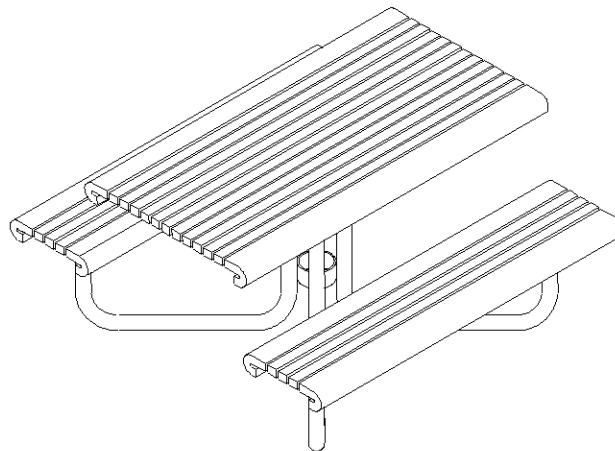
# Instructions

## Assembly Installation Operation

5. Tighten all 12 screws on table top to support "A" & "B" until they seat against the steel support, then turn 1/4 turn further.
6. Turn picnic table upright using at least 2 people.
7. To install umbrella, slide umbrella pole through hole and grommet in table top and into socket tube on support. Insert the 1/4-20 x 2-1/4 screw through holes in socket and umbrella pole and secure with lock nut.

### Recommended procedure for surface mounting to hard-surfacing:

1. Place unit in desired position. Mark hole locations through anchor brackets.
2. Move unit to allow access for drilling holes.
3. Drill holes at marked locations for appropriate anchors.  
Note: Anchors should be 3/8" diameter, corrosion resistant is recommended.
4. Although the installer is responsible for anchoring procedure and hardware, we suggest the following:
  - Poured concrete: stud or sleeve type expansion anchor, minimum 2-1/2" long.
  - Pavers: If pavers are installed over poured concrete, use 3/8" diameter, stud type expansion anchor with enough length to go through brick and into concrete.
  - Wood deck (at least 2" nominal thickness): 3/8" diameter lag bolt, at least 2-1/2" long.
5. If using expansion anchors, install anchor leaving approximately 3/4" thread protruding from surface. Place unit in position, install hex nut with washer and tighten carefully to avoid marring finish.
6. If using lag screws, place unit in position, install lag with washer and tighten carefully to avoid marring finish.



**ASSEMBLE WITH CARE!** Pangard II® Polyester Powdercoat is a strong, long-lasting finish. To protect this finish during assembly, place unwrapped powdercoated parts on packaging foam or other non-marring surface. Do not place or slide powdercoated parts on cement or other hard or textured surface – this will damage the finish causing rust to occur. Use touch-up paint on any gouges in the finish caused by assembly tools.