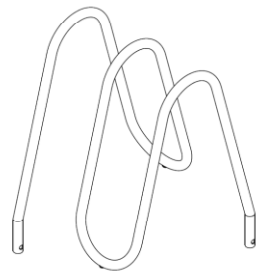
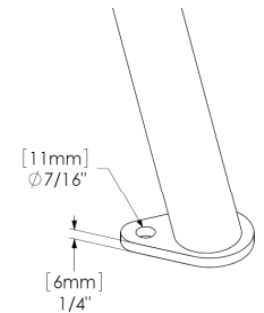
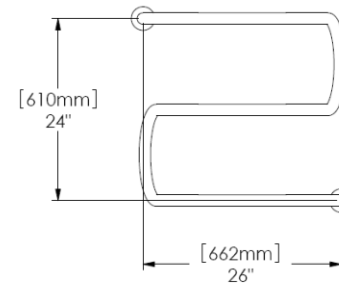


Surface Mount

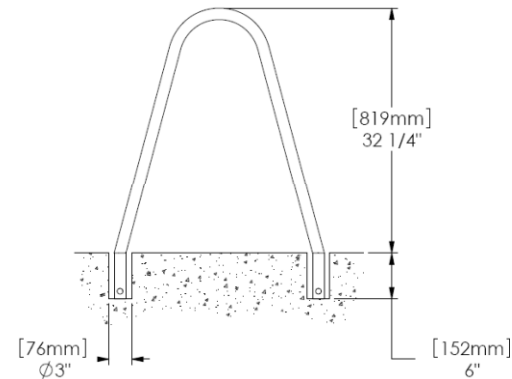


Embedded

HANDLE WITH CARE! Flo's finish can be scuffed by contact with tools, concrete, or other abrasive surfaces. Protect the finish from damage during installation. Use touch-up paint to repair any powder coat finish abrasions.



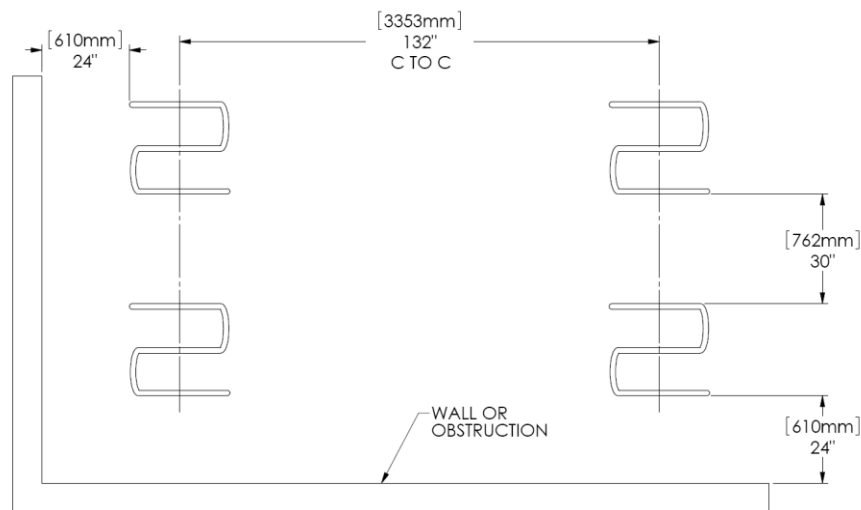
Surface mount option



Embedded, showing core drill sizes

Tools Required

- Unit ships assembled
- Surface mount option: (2) non-corrosive anchor bolts required per unit, maximum size $\varnothing 3/8"$ x 2-1/2" to 3" length



Recommended spacing, according to Association of Pedestrian and Bicycle Professionals (APBP)

EMBEDDED INSTALLATION:

1. Core drill 3" diameter (minimum) holes 6" deep. Nylon glides should make contact with the surface.
2. Prepare the holes for outdoor anchoring cement, such as Kwixset™ or Super Por-rok®. Follow the manufacturer's instructions for blowing out dust, filling with water, scrubbing, and removing excess water.
3. Place the bike rack back into position and fill the holes with anchoring cement.

SURFACE MOUNT INSTALLATION:

1. Set unit in place and mark holes.
2. Move the unit and drill the holes.
3. Install the anchors and bike rack according to the anchor manufacturer's instructions. Be sure that both anchor plates make solid contact with the surface.