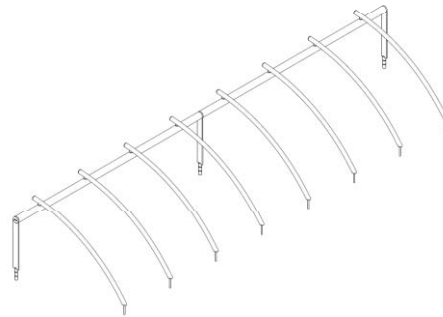
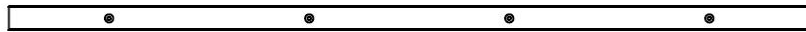


Bicilinea Bike Rack, 10ft length

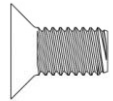


Bicilinea Bike Rack, 20ft length

Included components



A  
1x - 10ft  
2x - 20ft



C  
4x - 10ft  
8x - 20ft



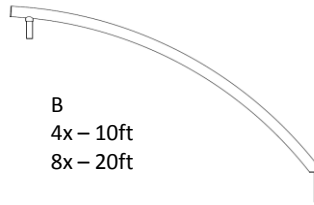
D  
4x - 10ft  
8x - 20ft



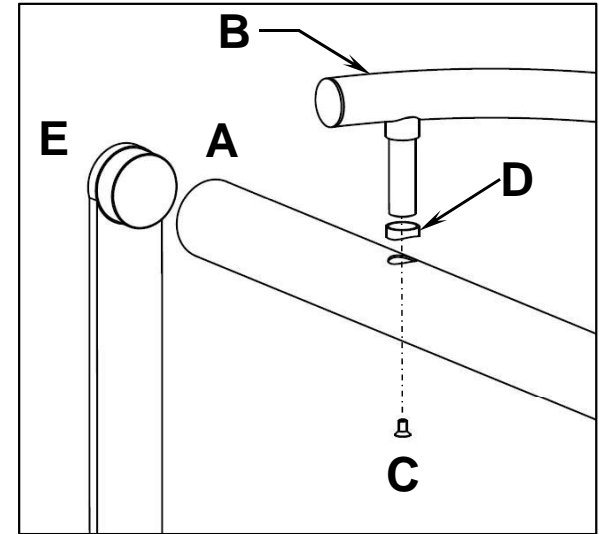
E  
2x - 10ft  
2x - 20ft



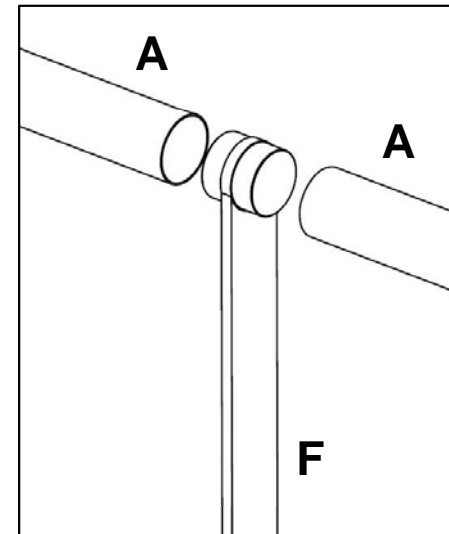
F  
1x - 20ft



B  
4x - 10ft  
8x - 20ft



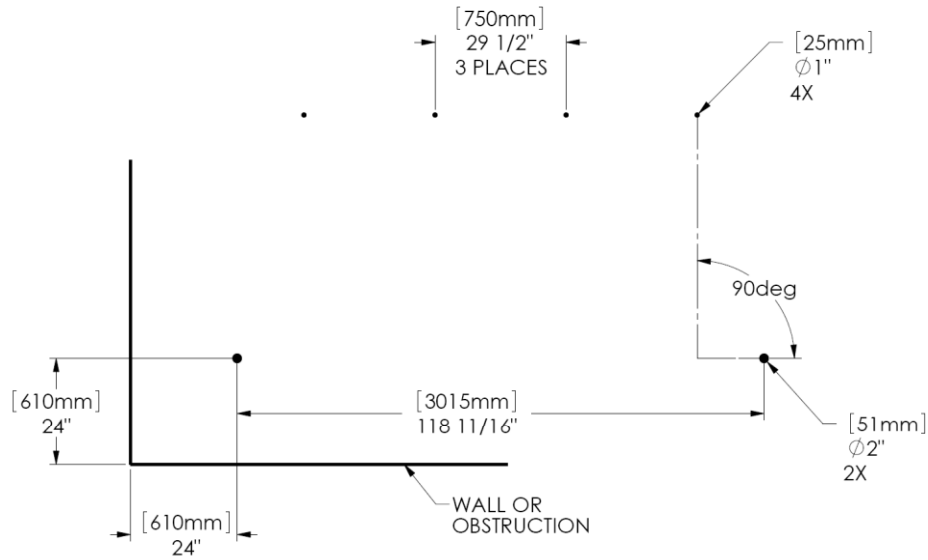
End support, 10ft and 20ft lengths  
Curved tube connections, 10ft and 20ft lengths



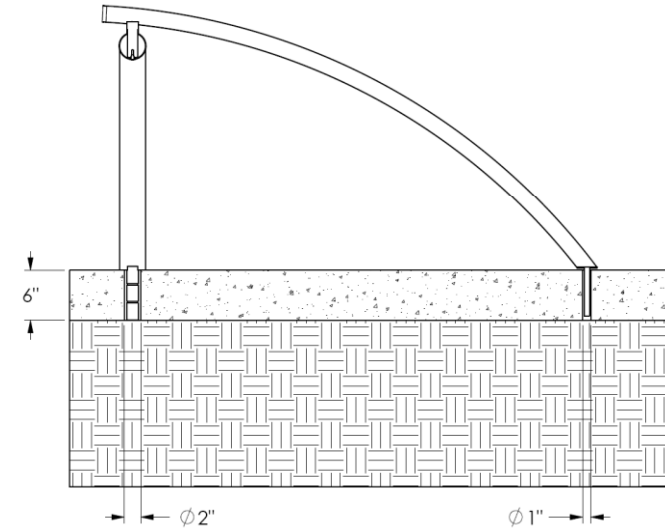
Connecting Support, 20ft length only

Tools Required

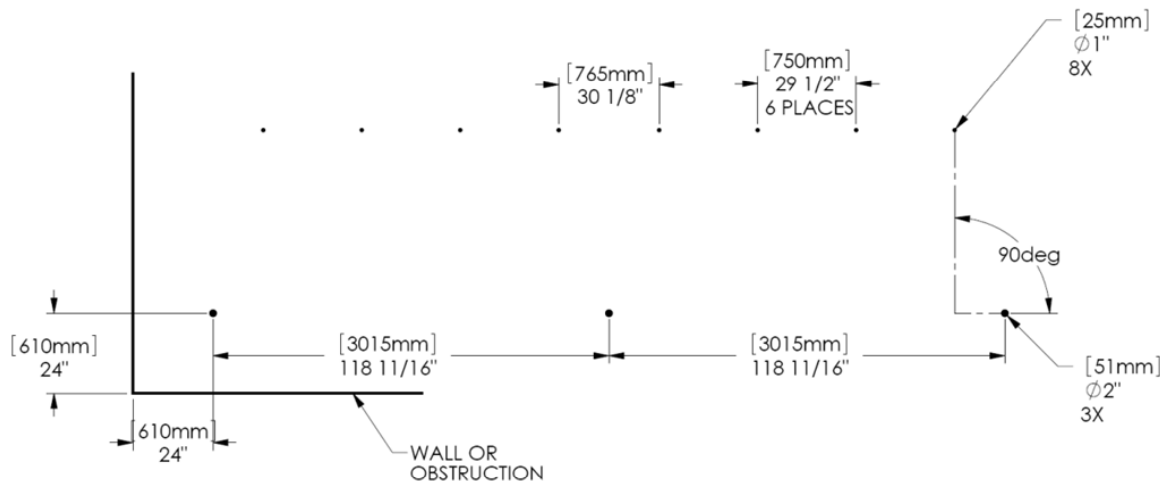
- Safety glasses
- M5 Hex key wrench



Bicilinea Bike Rack, 10ft length



Side Elevation, showing core drill sizes



Bicilinea Bike Rack, 20ft length

**INSTALLATION:**

1. Assemble unit in place and mark hole locations.
2. Move unit and drill holes.
3. Set unit in place, using adhesive anchoring system. Powers Fasteners AC100 PLUS™ or Hilti HIT RE 500 are recommended. Follow the manufacturer's instructions for dispensing adhesive.